

# Our Brand Roller Shade & Panel Glide



Product Reference & Retail Price Guide

## Roller Shades & Panel Glides

Feb 1, 2022

\*Prices Subject to change without notice

TERMS OF SALE & FREIGHT

PRICE QUOTATION

---

All prices subject to change without notice.

To ensure order accuracy, please use the Roller Shade order form. The blank order form can be found at the back of the price book. Make copies to create additional blank order forms.

---

CONTRACT QUOTE POLICY

---

Commercial quotes available on 20 units or more.

Commercial quotes are valid for 30 days.

Any change, including but not limited to size, color, controls, quantity, ship to location, ship date or number of shipment, may result in a change in price.

A 50% deposit is required on all quotes of \$5,000.00 or more.

ORDER TRACKING & ORDER STATUS

---

Order confirmations are sent via email within 24 hours of placing order. Please make sure you have your email on file with us. To track your order or check the status of your order, please contact customer service and provide them with the work order number.

STANDARD SHIPPING & HANDLING, DELIVERY & FREIGHT POLICIES

---

Oversize (88" up to 105") \$145.00 per order.

For express shipment, shipments to Alaska, Hawaii and foreign countries, freight will be quoted separately. Freight collect orders and using a preferred carrier is optional.

FREIGHT DAMAGE & SHORTAGES

---

Please inspect all shipments immediately and carefully. Please report damages and shortages on the delivery receipt and notify Oxford House customer service within 48 hours. No freight damage claim will be accepted after 10 days from shipping.

CANCELLATION OR CHANGE ORDER

---

IMPORTANT! Due to the custom nature of our products, we cannot accept changes or cancellations after the materials have been ordered or the order has been put into production.

LEAD TIME

---

Typically, orders (less than 15 units) are manufactured and shipped within 7-10 business days. All orders are subject to inventory availability. Orders placed after 2:00 PM. EST are considered as next day business.

Shipping date will be confirmed after receipt of order and is subject to inventory availability, total units, production and scheduling considerations.

# Roller - Solar Shade COLLECTION

Fabric	Width	Price Grid	Railroad	Fire Retardant	Opacity	Exterior Use
3000 Net 1%, 3%, 5%, 10%	118	4	Yes	Yes	LF	
3000 Net Privacy	118	4	No	Yes	BO	
Aatos	83	4	No	No	LF	
Albery	78	5	No	No	LF	
Anissa	83	4	No	No	LF	
Anna	83	4	No	No	LF	
Anno	102	8	No	No	LF	
Aura	80	3	No	No	LF	
Ava	118	3		No	LF	
Ava BO	118	5		No	B/O	
Avilla Daylight Non Fr	118	5	No	No	LF	
Avilla Twilight FR	118	7	No	Yes	B/O	
Avilla Twilight Non FR	118	5	No	No	B/O	
Avilla Twilight Solid	118	7	No	No	B/O	
Ayana - White	84	4	No	No	LF	
Balmoral LF	118	4			LF	
Balmoral BO	118	6			B/O	
Bamboo	90	8	No	NO	Dim-Out	
Banbury	80	6	No	No	LF	
Bonny	82	3	No	No	LF	
Burst	78	7	No	No	LF	
Carnival	80	7		Yes	If	
Carnival SPC	80	5		Yes	If	
Casablanca	78	7	No	No	LF	
Ceres LF	110	4	No	Yes	LF	
Ceres B/O	110	6	No	No	B/O	
Chatham	89	4		No	LF	
Chatsworth	78	6	No	No	LF	
Cherry Blossom	80	8	No	No	B/O	
Classic	118	5	No	No	B/O	
Classic Timeless	72	1B	Yes	Yes	B/O	
Clio	83	4	No	No	LF	
Collina	82	8	No	No	B/O	
Como	78	5	No	Yes	B/o	
Coral - White	84	5	No	No	LF	
Crush	80	8	No	No	B/O	
Crystal	80	8	No	No	B/O	
Deco Screen 5%	98	5	No	Yes	LF	
Devon	118	3	No	No	LF	
Devon BO	118	4		No	B/O	
Distinction	78	4		No	LF	
E Screen 1%, 3%, 5%, 10%	122	6	Yes	Yes	LF	Y
E Screen Chroma 3%	94	8	No	Yes	LF	
E Screen Deco 1%, 3%	122	6	Yes	Yes	LF	Y
E Screen /Koolback	98	7		Yes	LF	
Elise	94	6	No	No	LF	
Esfron	110	5	No	No	LF	
Expressions	78	5			LF	
Fineline FR	94	3		YES	LF	
Flair	70	5	No	No	LF	
Flocke	94	Quote Only	No	Yes	BO	
Flow	78	6	No	No	LF	
Fury LF	118	7	Yes	NO	LF	
Fury FR	118	7		Yes	LF	
Fusion	78	3		No	If	
Glam	118	5		No	If	
Greenscreen Evolve 3%	118	7	No	Yes	LF	
Greenscreen Natural 5%	94	7	No	Yes	LF	
Greenscreen Revive 1%, 5%	122	7	No	Yes	LF	
Hampton	110	7	No	No	LF	
Harmony LF	98	5	No	No	LF	
Harmony B/O	98	7	No	No	B/O	
Harald	82	3	No	No	LF	
Harper	110	6		NO	LF	

Roller - Solar Shade COLLECTION

Fabric	Width	Price Grid	Railroad	Fire Retardant	Opacity	Exterior Use
Haven	82	3	No	No	LF	
Indi	83	7	No	No	B/O	
Jurassic	78	6	No	No	B/O	
Kanela	94	4		No	LF	
Kiana	94	4	No	No	LF	
Kirtana	94	4		No	LF	
Lima LF	122	1A		No	LR	
Lima BO	122	2		No	BO	
Linara	72	5	No	Yes	LF	
Linen Light B/O	94	6	No	No	B/O	
Linen Light LF	94	4	Yes	No	LF	
Linenweave	78	3	Yes	No	LF	
Linenweave XL	94	4		NO	LF	
Louvoscreen 3%, 5%	98	7	No	Yes	LF	
Lucca BO	118	4		NO	BO	
Lumen	94	3			LF	
Lumen FR	94	3		YES	LF	
Lumeire BO	118	6		NO	BO	
Lumina	118	7				
Lylith	110	8	No	No	LF	
Lyon	118	7		No	LF	
Lyon BO	118	8		No	BO	
Luxar	118	7				
M Screen 1%, 3%, 5%	98	5	No	Yes	LF	Y
M Screen Chroma3%	112	8	No	FR	LF	
M Screen Deco 3%, 5%	98	6	No	Yes	LF	Y
Macau	94	4		No	LF	
Magnolia	80	8	No	No	B/O	
Maine	110	8	No	Yes	B/O	
Malacca LF	94	4	No	No	LF	
Malacca B/O	94	5	No	No	BO	
Marble	68	5		YES	BO	
Mau	110	4		NO	LF	
Mau BO	110	5		NO	BO	
Maze LF	110	5	No	Yes	LF	
Maze B/O	110	6	No	No	BO	
Meadow	80	5	No	No	LF	
Melton	80	7	No	No	LF	
Mesa	118	6	No	Yes	LF	
Mesa BO	118	6		Yes	BO	
Mia	94	6		NO	LF	
Mia BO	94	7		NO	BO	
Mojave	90	3	No	No	LF	
Monroe	80	7	No	No	LF	
Montana	80	7				
Monteray	110	7	No	No	LF	
Morgan	110	6		NO	LF	
Nardo	83	4	No	No	LF	
Natte 5%, 10%	122	8	No	Yes	LF	Y
Night Night	80	7	No	No	B/O	
Nimbus LF	118	7	No	No	LF	
Nimbus B/O	118	8	No	No	B/O	
Nordic BO	118	3		NO	BO	
NS+ BW 1%	118	5	No	Yes	LF	
NS+ BW 3%, 5%, 10%	118	4	No	Yes	LF	
NS+ Deco 3% FR	118	5		Yes	LF	
NS+ Regal 8% FR	118	4		YES	LF	
NS+ Twill 1%, 3%	118	4	No	Yes	LF	
Orkfest	83	4	No	No	LF	
Oslo LF (Turnils)	110	4	No	No	LF	
Oslo B/O (Turnils)	110	5	No	No	B/O	
Oslo LF (Louvolite)	118	7	No	Yes	LF	
Palette	78	3	No	No	LF	
Palette XL FR	98	3		Yes	LF	
Palister	96	7	No	No	LF	

Fabric	Width	Price Grid	Railroad	Fire Retardant	Opacity	Exterior Use
Panama	83	4				
Parchment	78	5	No	No	LF	
Pebbles	80	6			LF	
Pebbles 0%	110	8			BO	
Portland	78	5	No	No	LF	
Prado	114	6		NO	LF	
Prima LF	76	3	No	No	LF	
Prima Dim Out	76	5	No	No	Dim-Out	
Ravello B/O	80	8	No	No	B/O	
Regal 8% FR	118	4	No	Yes	LF	
Regal 12%	118	4		Yes	LF	
Richmond BO	94	8		NO	BO	
Ritz	80	5	No	No	LF	
S Screen 1%, 4%	122	6	No	Yes	LF	Y
S Screen Naturals 5%	98	6	No	Yes	LF	Y
Satin	76	3		No	LF	
Satine (Exterior)	98	8	No	YES	LF	Y
Savanah	110	6		NO	LF	
Scala (FR)	110	7	No	YES	B/O	
Scala (Non FR)	110	3	No	No	B/O	
Serene	78	5		No	LF	
Phifer Sheerweave 5000	98	7	No	Yes	LF	
Serene	78	5	No	No	LF	
Shine	83	4	No	No	LF	
Shot Silk**	80	8	No	No	B/O	
Sparkle	80	4	No	No	LF	
Structo	83	5	No	No	LF	
Tenley LF	98	2	No	No	LF	
Tenley BO	98	3	No	No	B/O	
Tempe	118	4	No	Yes	LF	
Tempe BO	118	5		Yes	BO	
Tinsel	106	5	No	No	LF	
T Screen Conventional 1%, 3%	122	6	No	Yes	LF	Y
T Screen Deco 1%. 3%, 5%	122	6	No	Yes	LF	Y
Tundra	78	5	No	No	LF	
Venice BO	110	4	No	No	B/O	
Verona Daylight Privacy	118	6	No	Yes	LF	
Verona Twilight	118	7	No	Yes	B/O	
Versailles	80	8	No	No	B/O	
Vienne 5%, 10%	122	6	No	Yes	LF	
ViewR 15%	98	4			LF	
Vista BO	110	7			BO	
Vizela	94	8	No	Yes		
Willow	78	7	No	Yes	B/O	
Woodland	78	3	No	No	LF	
Wonderland	78	6	No	No	BO	

\*\*Must have fabric wrapped bottom rail

FABRIC/PRODUCT SPECIFICATIONS

FABRIC ORIENTATION-

The fabrics used to make roller shades are of a limited width (see collections chart).

- Ordered shades that are within the maximum width of the fabric will be made with the fabric vertically oriented (Fig. 1).

- Ordered shades that are wider than the maximum fabric width will be made with the fabric turned width for height (horizontally oriented) (Fig. 2). **This only applies to fabrics that can be turned width for height (railroaded).**

- Ordered shades that are larger (both width and height) than the maximum fabric size may need to be made with a visible seam. (Fig. 3). This only applies to fabrics that can be turned width for height (railroaded).

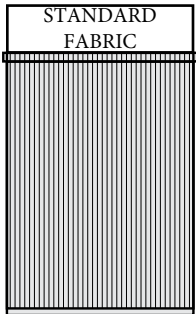


Fig. 1

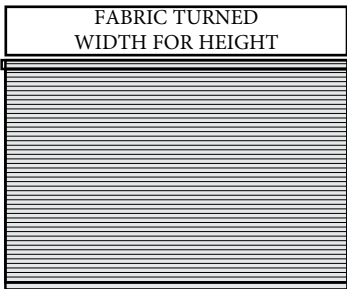


Fig. 2

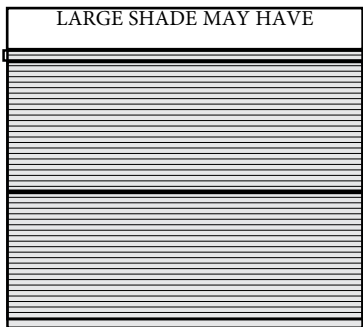


Fig. 3

\*Any shade ordered with fabric railroaded may result in the sides of the fabric cupping. This is not considered a fabrication error.

BOTTOM OF SHADES

HEAT SEALED

All shades will be made with Heat Sealed Bottom Bar. This is the preferred way to finish the bottom of the shade when it is important to minimize light leakage on inside mounted applications.



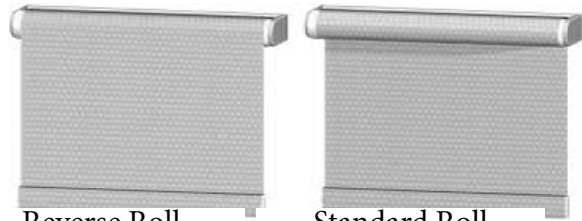
FABRIC WRAPPED

Fabric wrapped bottom rail may be ordered.



### ROLL DIRECTION

The Roller Shade fabric can be ordered with the fabric coming off the back of the roll (standard roll direction) or with the fabric coming off the front of the roll. This is called a Reverse roll.



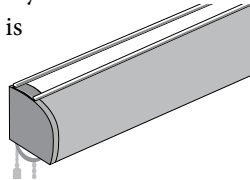
Reverse Roll

Standard Roll

## DESIGN OPTIONS

### CASSETTE OPTION WITH FABRIC INSERT

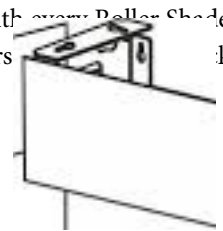
- A traditional option available with every Roller Shade.
- The optional fabric wrapped cassette is rounded and covers the roller for a clean, coordinated look.
- Available in your choice of White, Vanilla, Black, Bronze and Anodized Aluminum.



- Mounting Brackets attach to the top of the of the cassette

### FASCIA OPTION

- Contemporary option available with every Roller Shade.
- The square aluminum fascia covers the roller for a clean, sophisticated look.
- 3" & 4" Fascia color choices: White, Vanilla, Black, Bronze and Anodized Aluminum.
- 5" Fascia color choices: White,



## CONTROL OPTIONS

### MOTORIZED-SMART HOME TECHNOLOGY

Limitless motorization options allowing for today's automation needs. See page 12&13

### STANDARD CORDLESS

This ultra safe option - A slight tug to the bottom rail to maneuver the blind. Add Upgrade

### GRAVITY FREE

Ultra convenient allows for full control of the shade using your finger to gently raise and lower the shade.

Not available with Fascia

Only available with fabric wrapped bottom rail

Minimum Width 28"

Add **Upgrade**

### CLUTCH CONTROL

Our shades are manufactured with the clutch control system with a nickel plated metal chain. Plastic chains also available in White, Black, Ivory and Bronze

**Stainless Steel chains** also available and often requested for exterior use. Add **Upgrade**

### Spring Assist

Reduces pull force to approximately 6 lbs. on shades weighing up to 30 lbs when using spring assist. It's sleeved spring provides smooth quiet operation. Works with R-Series and Skyline clutch systems with no special brackets or end plugs required. Minimum 60" width. Recommended for shades 84" and wider. Add **UPGRADE**

### TWO UNDER ONE CASSETTE or FASCIA

Two pieces of fabric on one tube or multiple tubes under one cassettes or fascia utilizing a coupler system- Price shades individually the add the overall cassette.

Add Upgrade

\*Extended cassette/fascia size may incur oversize shipping fees.

When ordering two tubes under one cassette or fascia there will be a gap between fabric of approx. 1.5" to 2".

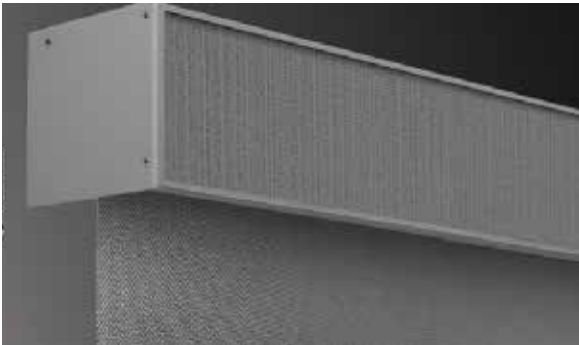
When ordering two pieces of fabric on one tube, there will be a gap between the fabric of approx. 1/4" to 1/2"

## Cassette Options

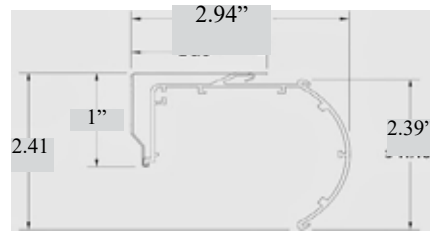
**Cassettes** are a stylish way to cover the tube and roller shade. The roller shade is concealed from face view when in the raised position. Comes with a fabric insert to match your shade material. Choose from White, Vanilla, Bronze, Black and Anodized Aluminum (Grey).



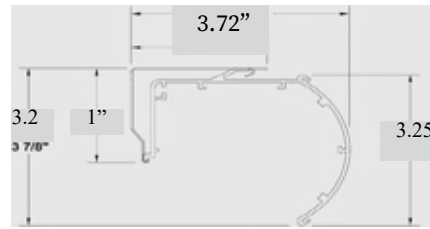
**Round Cassette Sizes**  
Cassette 80 | 100 | 120



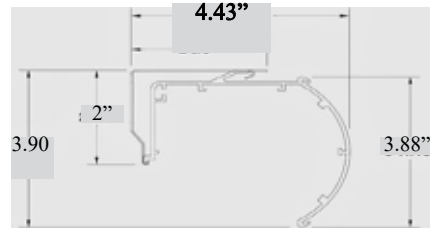
**Square Cassette Sizes**



Cassette 80



Cassette 100



Cassette 120

The manufacturer will pick the cassette size for you based on the size of blind you are ordering. The type of fabric and size of your blind effects many of the manufacturing standards and components needed including tube, clutch and cassette sizes. We will always use the smallest size possible unless you request otherwise. Maximum cassette size 16 ft.

### MOUNTING REQUIRED WITH CASSETTE 80

Minimum Mounting Depth	1"
Flush Mount	3"
Minimum Flat Vertical Surface	1"

### MOUNTING REQUIRED WITH CASSETTE 100

Minimum Mounting Depth	1"
Flush Mount	3.75"
Minimum Flat Vertical Surface	1"

### MOUNTING REQUIRED WITH CASSETTE 120

Minimum Mounting Depth	1.5"
Flush Mount	4.5"
Minimum Flat Vertical Surface	1.5"



Fascia Options

**Fascias** offer a more modern touch to finish off your window coverings. The roller tube is completely concealed from face and underside view when in the raised position.

Choose from: White, Vanilla, Bronze, Anodized (Grey) and Black (5" Not available in Black)



Available Fascia Sizes  
3" | 4" | 5"



3" Fascia



4" Fascia



5" Fascia

The manufacturer will pick the fascia size for you based on the size of blind you are ordering. The type of fabric and size of your blind effects many of the manufacturing standards and components needed including tube, clutch and fascia sizes. We will always use the smallest size possible unless you request otherwise.

**MOUNTING REQUIRED WITH 3" FASCIA**

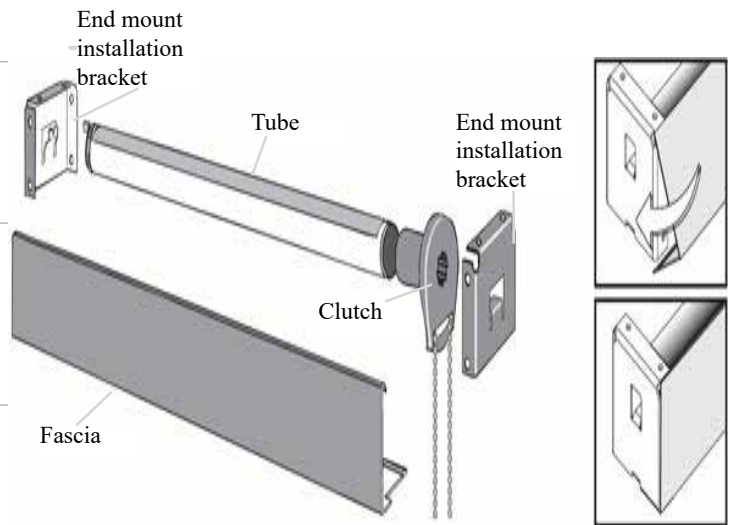
Minimum Mounting Depth	1"
Flush Mount	3"
Minimum Flat Vertical Surface	3"

**MOUNTING REQUIRED WITH 4" FASCIA**

Minimum Mounting Depth	1"
Flush Mount	4"
Minimum Flat Vertical Surface	4"

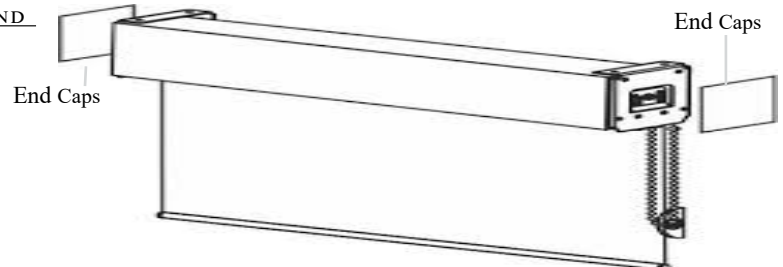
**MOUNTING REQUIRED WITH 5" FASCIA**

Minimum Mounting Depth	2.5"
Flush Mount	5"
Minimum Flat Vertical Surface	5"



Fascia's traditionally mounted so it covers the front and underneath sides of the shade.

**END CAPS** ARE OCCASIONALLY NEEDED ON OUTSIDE MOUNT INSTALLATIONS WHERE INSTALLATIONS BRACKETS WILL BE VISIBLE. END CAPS ARE THIN METAL PLATES THAT ARE ATTACHED TO THE INSTALLATION BRACKET WITH DOUBLE FACED TAPE. THEY ARE NOT AUTOMATICALLY PROVIDED AND MUST BE REQUESTED AT TIME OF ORDER.



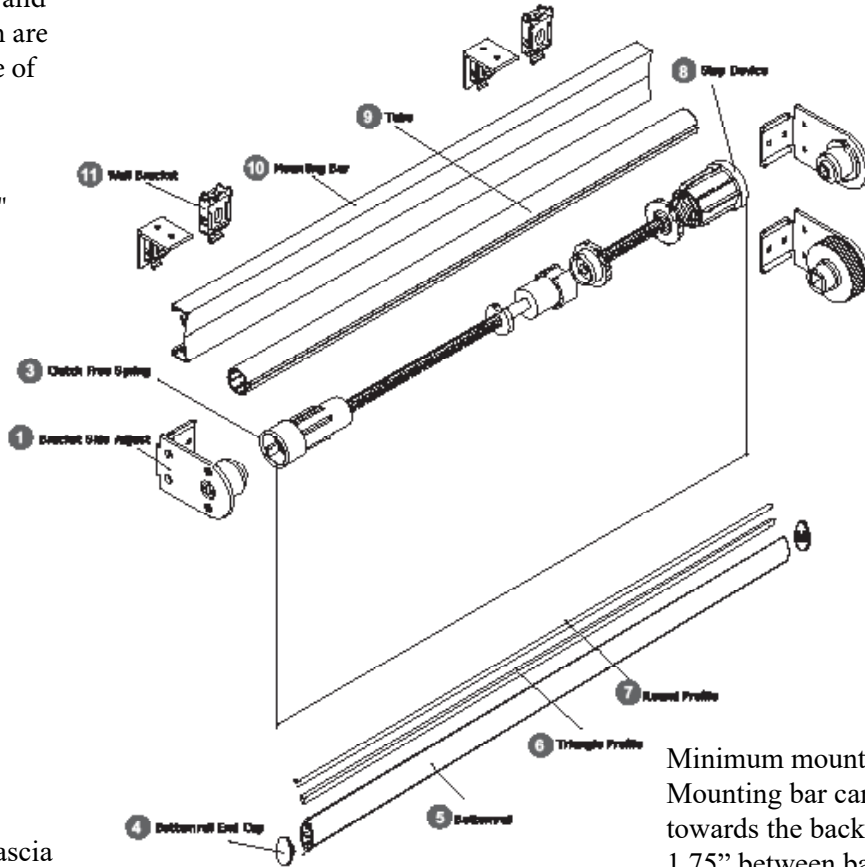
## STANDARD CORDLESS ROLLER SHADE WITH MOUNTING BAR

Minimum Width and Maximum Length are dependant on size of spring used.

Min. 17.5" wide  
Max. length of 80"

Min" 24.5" wide  
Max 110" long

Min. 26.125"  
Max 120" Long

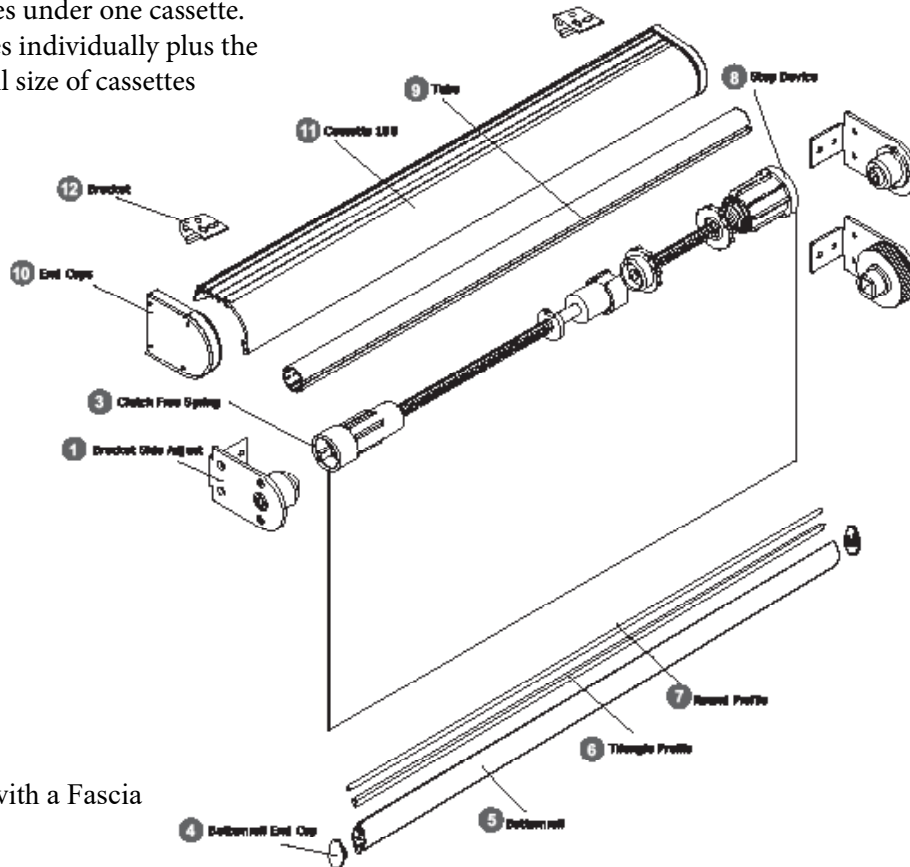


Minimum mounting depth 3/4"  
Mounting bar can be installed rotated towards the back or the top of the blind.  
1.75" between bar and roller

Not available with a Fascia

## STANDARD CORDLESS ROLLER SHADE WITH CASSETTE

Two shades under one cassette.  
Price shades individually plus the overall size of cassettes



Not available with a Fascia

## FINISHED DIMENSIONS & RAIL MEASUREMENTS

Roller Shades are designed to fit rectangular window openings in a vertical orientation. The maximum width and height of the shades vary with type of fabric and depend on whether the fabric can be turned width for height (railroaded.) as shown on fabric index size standards chart. The shades may be installed inside or outside the window opening, or mounted to the ceiling.

### SIZE STANDARDS

Minimum Width	9"
Maximum*standard fabric orientation	72" to 118" (depending on fabric)
Maximum*Railroaded orientation	150" (depending on fabric)
Maximum Height	180"

*NOTE: If possible, when a wide shade is ordered, all shades in the order made with the same fabric will be cut width for height for the best possible match. Shades that are cut railroaded (turned width for height) may cup on the sides. This is not a manufacturing error.*

### FACTORY DEDUCTIONS

(All allowances are taken from ordered dimensions and may vary by 1/8.)

Inside Mount	less 1/4"
Outside Mount	ordered width
Inside and Outside Mount Fabric	ordered width less 1 1/8"

### FACTORY DEDUCTIONS WITH CASSETTE

Inside Mount Fabric	ordered width less 1 1/4"
Inside Mount Cassette	ordered width less 1/4"
Outside Mount Fabric	ordered width less 1 1/4"
Outside Mount Cassette	ordered width plus 1/4"

### FACTORY DEDUCTIONS WITH FASCIA

Inside Mount Fabric	ordered width less 1 1/4"
Inside Mount Fascia	ordered width less 1/8"
Outside Mount Fascia	ordered width

### FACTORY DEDUCTIONS MOTOR WITH FASCIA

Inside Mount Fabric	ordered width less 1 3/8"
Inside Mount Fascia	ordered width less 1/8"
Outside Mount Fascia	ordered width less 1/8"

### STANDARD MOUNTING REQUIREMENTS

Minimum Mounting Depth	5/8"
Flush Mount	2"
Minimum Flat Vertical Surface	5/8" x 1 3/8"

### Gravity Free Option:

Minimum Width 29"	Maximum Width: 118" or fabric width
Minimum Length 12"	Maximum Length 135"
Fascia not available with Zero Gravity option	
Minimum Mounting Depth	7/8"
Flush Mount	1 1/2"

### INSTALLATION BRACKETS

Skyline brackets are normally used on shades without fascias & cassette. This bracket system utilizes pin ends for easy installation while ensuring a sturdy hold on your shade. Overall size of the bracket is 2.25" deep by 2.375" height

Cassette brackets are spring clips which provide the option of a mount from the top or back of the cassette.

Fascia brackets are box brackets that can be mounted from the top, back or sides

**NOTE:** Minimum mounting and flush mount depth of shades with cassettes and fascias varies depending on the size of fascia or cassette used. The manufacturer determines the cassette or fascia size based on size of blinds fabric and components used. The above requirements are general. If you have an extremely large shade or unusual mounting requirements, please talk to customer service.

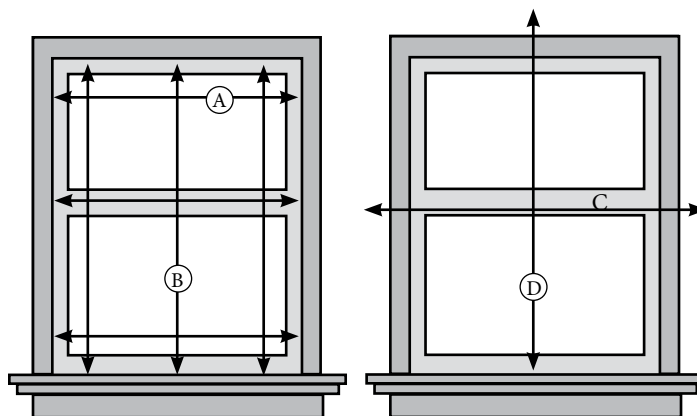
## MEASURING INSTRUCTIONS

### INSIDE MOUNT

Use a steel tape to measure the opening width **A** at three different places, and use the narrowest dimension when ordering. Be exact! The factory will make the shade 1/8" narrower so it will not rub against the window casing. Measure the height **B** of the window from the top (Soffit) down to the sill.

### OUTSIDE MOUNT

Use a steel tape to measure the exact width **C** and height **D** of the area to be covered. It is recommended that the shades overlap the window by at least 1/2" on each side. When installation has no sill, allow the shade to overlap the bottom of the window casing by at least 1/2". Shade fabric will measure the width and height indicated on the order form.



INSIDE MOUNT

OUTSIDE MOUNT

## CHILD SAFETY

Our Roller Shades are designed with child safety as a priority. To reduce the risk of strangulation our fabrication methods incorporate features to comply with the current ANSI cord safety standard.

## CARE AND CLEANING

- Shade fabrics are specially treated to repel dust and dirt.
- Dusting: Regular dusting maintains a like-new appearance.
- Vacuuming: For deeper cleaning, vacuum gently with a furniture brush attachment of any vacuum cleaner.
- Spot-Cleaning: Spot-clean shades with soft cloth or sponge moistened with lukewarm water. Add mild detergent if needed. Blot gently and dry shade in fully lowered position.

## LIFETIME LIMITED WARRANTY

Our Manufacturer warrants that our Roller Shades will be free from defects in materials and workmanship for as long as the original retail purchaser owns the product, provided that products were properly installed in residential dwellings and products were made or assembled exclusively from Kensington materials and components.



Our Manufacturer's obligation is limited to the repair or replacement of shadings or components found to be defective, and excludes shipping charges and labor costs for measuring, fabricating and installation. Repairs will be made with like or similar parts.

This warranty does not include any conditions or damages resulting from accidents, alterations, exposure to elements (which could cause, among other things, the fading of shade colors), misuse, abuse, motorized devices, or failure to follow our instructions with respect to measurement, installation, cleaning or maintenance. This warranty does not cover damage to shade fabrics as a result of using window cleaners or similar substances, which could cause discoloration of the shades. This warranty does not cover any condition or damage resulting from removal of the shade and reinstallation in the same or another window.

This warranty does not apply to conditions caused by normal wear and tear upon the product.

THIS WARRANTY IS EXCLUSIVE AND IN LIEU OF ALL OTHER OBLIGATIONS, LIABILITIES OR WARRANTIES. In no event shall Oxford House be liable or responsible for INCIDENTAL OR CONSEQUENTIAL DAMAGES or for any other direct or indirect damage, loss, cost, expense or fee. Some states do not allow the exclusion or limitation of incidental or consequential damages, so this exclusion or limitation may not apply to you.