

LEVOLOR®

Roman Shades Persianas romanas

INSTALLATION • OPERATION • CARE
INSTALACIÓN • MANEJO • CUIDADO



Cordless Lift Control
Control de elevación sin cuerda

CONTENTS

Window and Shade Terminology

Mounting Types and Window Terminology	3
Lift Styles	4

Getting Started

Installation Overview	5
Components Included	6
Tools and Fasteners You May Need	7

Installation

Inside Mount	8-10
Outside Mount	11-13

Installation - Additional Components

Installing the Valance	14
Extension Brackets	14
Spacer Blocks	14
Hold-Down Brackets	14

Operation

Operating the Shade	15
Adjusting Alignment	16

Uninstalling

Removing the Shade	17
--------------------------	----

Cleaning and Care

Cleaning Procedures	18
---------------------------	----

Additional Information and Support

Warranty	19
Customer Service Support	19

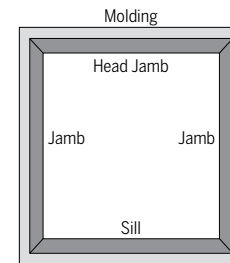


WARNING: Keep all small parts, components and packaging away from children as they pose a potential choking hazard which may result in serious injury or death. Please reference all warning tags and labels in the instructions and on the shade.

WINDOW AND SHADE TERMINOLOGY

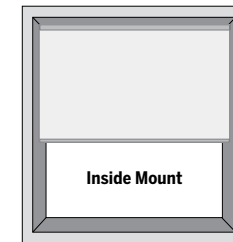
Thank you for purchasing LEVOLOR® Roman Shades. With proper installation, operation, and care, your new roman shade will provide years of beauty and performance. Please thoroughly review this instruction booklet before beginning installation.

MOUNTING TYPES AND WINDOW TERMINOLOGY



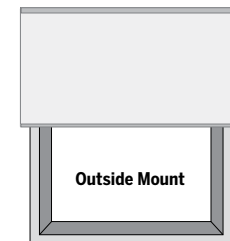
Window Components Terminology

- Collectively, the sill and jambs are called the "window casement" or "frame".



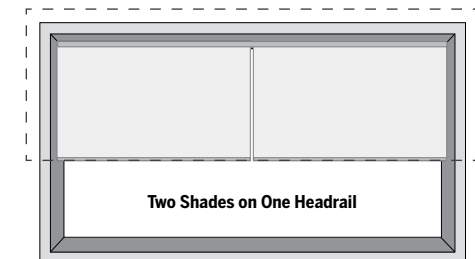
Inside Mount

- Shade fits within window opening.
- Great for windows with beautiful trim.



Outside Mount

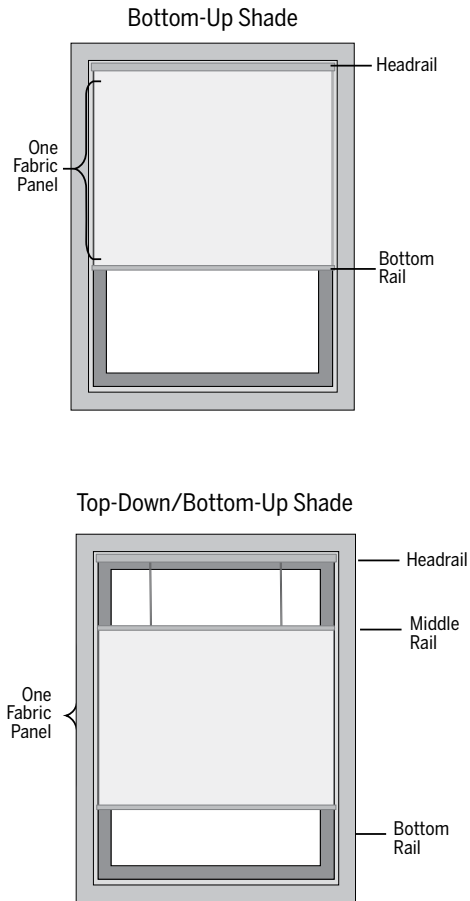
- Shade mounts outside window opening.
- Increased light control and privacy.



Two Shades on One Headrail

- Provides the clean appearance of a single shade with the ability to operate each shade independently.
- Can be mounted inside or outside.

LIFT STYLES



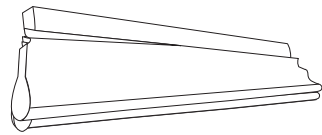
INSTALLATION OVERVIEW

- **IMPORTANT:** If bound, do not remove binding until the shade is installed in the window.
- Double-check the headrail for proper width. If installing several sets of shades, be sure to match them with the appropriate window.
- Check the installation surface to ensure you have suitable fasteners and tools.
- Lay out and organize all parts and components.
- Your order will include the correct number of installation brackets for your shade width, as shown in the table below.
- Shade orders may also include spacer blocks or extension brackets, if they were specified, for added clearance.

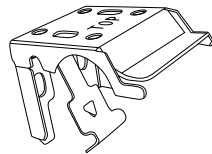
Installation Brackets	
Shade Width (inches)	Number of Brackets
	Cordless
Up to 38"	2
> 38" - 68"	3
> 68" - 82"	4
> 82" - 106"	5
> 106" - 130"	6
> 130"	7

GETTING STARTED

COMPONENTS INCLUDED



Roman Shade



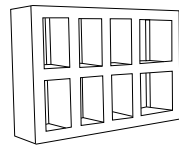
Mounting Bracket



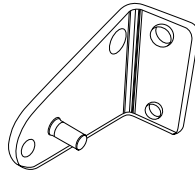
Cordless Handle



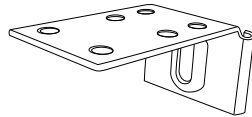
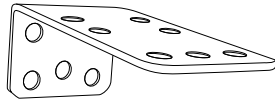
Hex Head Screws
(2 per Bracket)



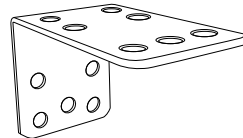
Spacer Block
(optional)



Hold-Down Bracket
(optional)



Extension Brackets
(optional)



- Shade
- Mounting Brackets
- Installation Hardware
- Other accessories (optional)

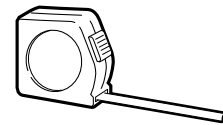
Optional items will be included, if selected at time of shade order.

GETTING STARTED

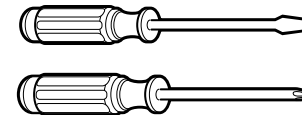
TOOLS AND FASTENERS YOU MAY NEED (not included)

The tools you will need for installing your shade will vary, depending on the installation surface, and mounting bracket type.

Tools typically used for installation include:



Metal Tape Measure



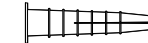
Screwdrivers
(both flat and Phillips head)



1/4" Nutdriver



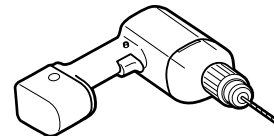
Safety Glasses



Drywall Anchors



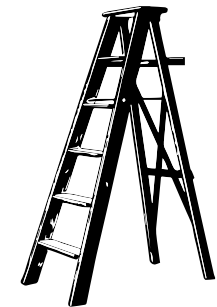
Level



Drill with Bits



Pencil



Ladder

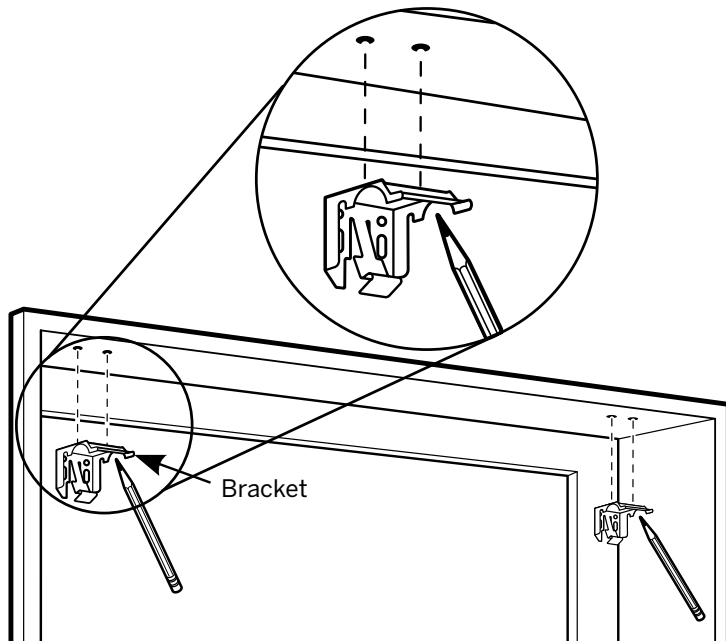
Note: Longer Screws may be needed with extension brackets and spacers, not shown.



CAUTION: Use drywall anchors when mounting into drywall. (Not provided.) Failure to properly anchor shade could cause shade to fall possibly resulting in injury.

INSTALLATION

INSIDE MOUNT (IM)



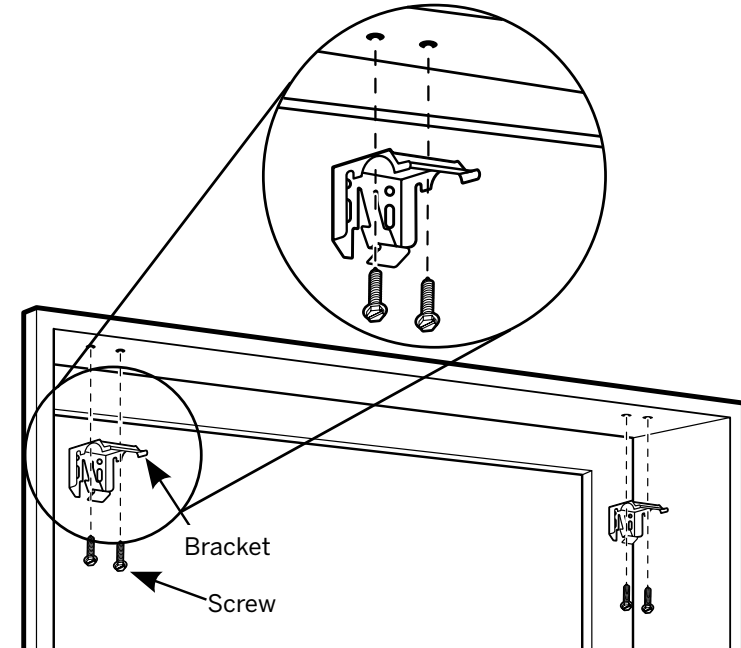
STEP 1: MARK THE BRACKET LOCATIONS

IMPORTANT: Before marking bracket locations, ensure that your bracket placement will not interfere with any components inside the headrail.

- Verify that your window casing has a minimum depth of 1/2" which allows for a partially recessed headrail mount.
- If flush mount (fully recessed mount) is desired, a minimum mounting depth of 2 1/8" is required.
- Mark 1 - 2" from each jamb for bracket location.
- With a pencil, mark the longer, oblong drill hole locations through the top of the holes of the bracket, 2 holes per bracket.
- If more than two installation brackets come with your order, space additional bracket(s) evenly between the two end brackets, no more than 30" apart, and mark drill hole locations.

INSTALLATION

INSIDE MOUNT (IM)

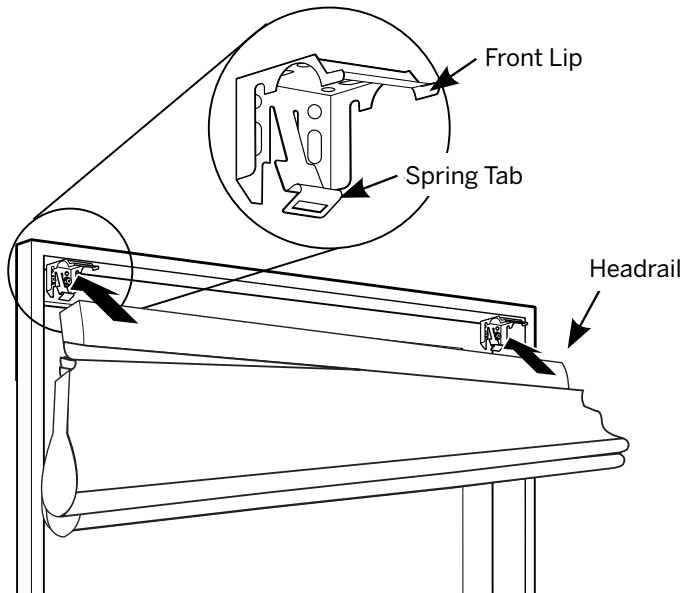


STEP 2: INSTALL THE BRACKETS

- Pre-drill screw holes using a 1/16" drill bit (wood and metal mounting surfaces only) using pencil marks as a guide.
- Hold the bracket with the surface marked "Top" facing up. Line up the pre-drilled screw holes and the longer, oblong holes in the bracket.
- While holding the bracket in place, secure the bracket with screws, 2 screws per bracket.
- Repeat for each bracket.
- Ensure all brackets are square with each other.

INSTALLATION

INSIDE MOUNT (IM)



STEP 3: INSTALLING THE SHADE

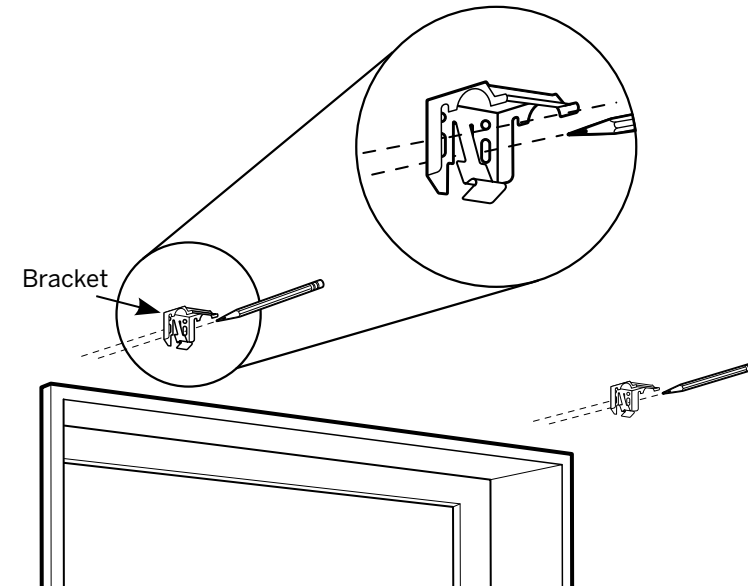
- Hang the curved front side of the headrail on the front lip of the brackets.
- Rotate the headrail backwards toward the window until a snapping sound is heard. This will let you know the shade is engaged in the brackets.
- Install the included operating handle by snapping it onto the front of the bottom rail; in case of a top-down/bottom-up shade, snap a handle onto the middle rail as well.



CAUTION: Be sure the bracket and headrail are properly secured before operating the shade. Failure to do so may result in the shade falling and possible injury.

INSTALLATION

OUTSIDE MOUNT (OM)



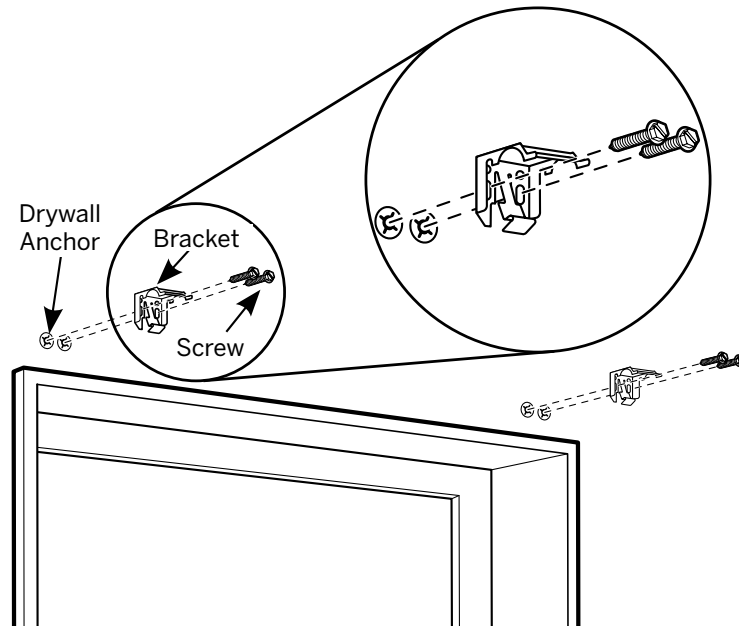
STEP 1: MARKING THE BRACKET LOCATIONS

IMPORTANT: Before marking bracket locations, ensure that your bracket placement will not interfere with any components inside the headrail.

IMPORTANT: The rear of the brackets must be flush against a flat mounting surface. Do NOT mount brackets on curved molding.

- Center the headrail over the window opening at the desired height.
- Use a pencil to lightly mark each end of the headrail.
 - Alternatively, measure the width of the headrail and use that width to mark the headrail end points over the window opening.
- Mark approximately 1 - 2" in from each end of headrail for the installation bracket locations.
 - Allow a minimum of ¼ in. between the bottom of the installation bracket and the top of the window molding.
- With a pencil, mark the installation brackets or extension bracket screw locations through the larger, oblong rear holes of the bracket, 2 screws per bracket.
- Use a level to ensure all brackets are aligned.
- If more than two installation brackets come with your order, space additional bracket(s) evenly between the two end brackets, no more than 30" apart, mark drill hole locations.

OUTSIDE MOUNT (OM)



STEP 2: INSTALLING THE BRACKETS

IMPORTANT: Use drywall anchors when mounting into drywall (not provided).

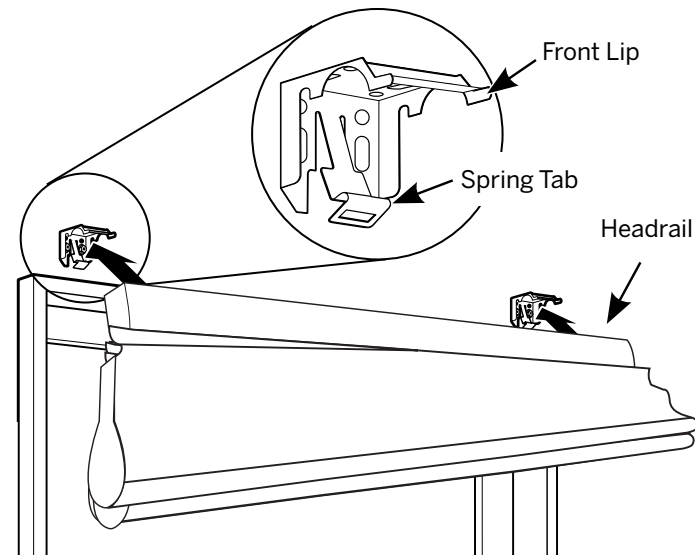
IMPORTANT: The rear of the brackets must be flush against a flat mounting surface. Do NOT mount brackets on curved molding.

- Pre-drill screw holes using a 1/16" drill bit, using pencil marks as a guide.
- Hold the bracket with the surface marked "Top" so that it is facing upwards and then line up the pre-drilled screw holes with the holes in the bracket.
 - **Note:** If using spacer blocks: Stack spacer blocks on the back side of the installation brackets (see page 14 for additional details).

CAUTION: Do not use more than one spacer block. Using more than one spacer block could cause shade to fall resulting in possible injury.

- While holding the bracket in place, secure with screws, 2 screws per bracket.
- Repeat for each bracket.
- Use a level to confirm all brackets are level.

OUTSIDE MOUNT (OM)



STEP 3: INSTALLING THE SHADE

- Hang the curved front side of the headrail on the front lip of the brackets.
- Rotate the headrail backwards toward the window until a snapping sound is heard. This will let you know the shade is engaged in the brackets.
- Install the included operating handle by snapping it onto the front of the bottom rail; in case of a top-down/bottom-up shade, snap a handle onto the middle rail as well.

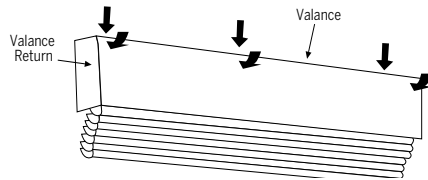
CAUTION: Do not use more than one spacer block. Using more than one spacer block could cause shade to fall resulting in possible injury.

INSTALLATION - ADDITIONAL COMPONENTS

INSTALLING THE VALANCE

Install Valance

- Hook the top of the valance over the top lip of the headrail.
- Carefully press the valance down and back against the headrail until the valance clips into place.

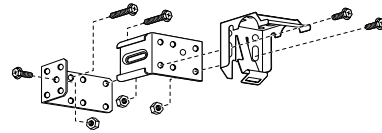


Attach Valance Returns (Outside Mount Only)

- Fold the valance returns around the end of the headrail and firmly press into place so that the hook-and-loop strips engage.

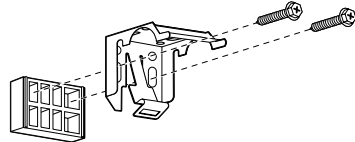
EXTENSION BRACKETS (optional)

- Optional extension brackets offers clearance for obstructions.
- Outside mounting extension brackets will provide 1–3" clearance between the headrail and mounting surface. Assemble extension bracket as shown.
- Secure an extension bracket to each standard mounting bracket.



SPACER BLOCKS (optional)

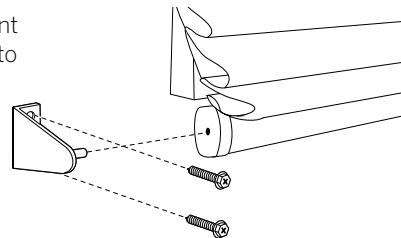
- Outside mounting spacer blocks will provide an additional 3/8" clearance as shown.
- If spacers are used, longer screws may be required to ensure a secure installation (not provided).



CAUTION: Do not use more than one spacer block. Using more than one spacer block could cause shade to fall resulting in possible injury.

HOLD-DOWN BRACKETS (optional)

- Ideal for doors, hold-down brackets prevent shade from swaying. Assemble as shown to each side of bottom rail.

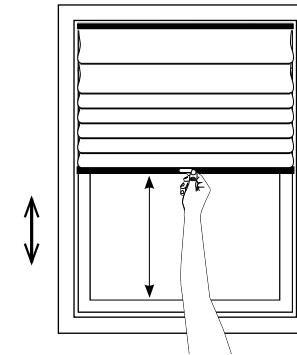


OPERATION

CORDLESS BOTTOM-UP

- To lower the shade, grasp the handle on the bottom rail and pull down until desired location is reached. Release and the shade will stay in place.
- To raise the shade, grasp the handle on the bottom rail and push up until desired location is reached. Release and the shade will stay in place.

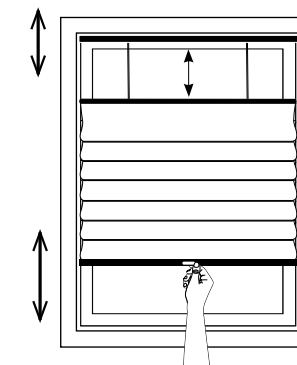
Bottom-Up Shade



CORDLESS TOP-DOWN / BOTTOM-UP

- To raise or lower the middle rail, grasp the handle on the middle rail and push up or pull down until desired location is reached. Release and the shade will stay in place.
- To raise or lower the bottom rail, grasp the handle on the bottom rail and push up or pull down until desired location is reached. Release and shade will stay in place.

Top-Down / Bottom-Up Shade



OPERATION

ADJUSTING ALIGNMENT AND FOLDS

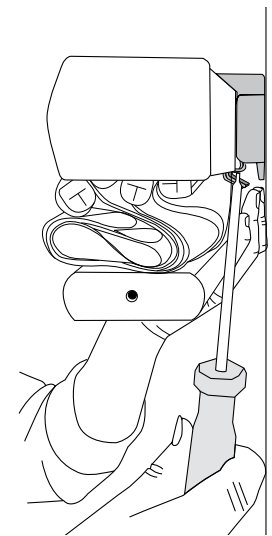
To ensure the shade raises and lowers evenly, the roman bar clips on the back of the shade may need to be adjusted. These clips are self-aligning; however they can shift out of alignment from time-to-time.

- The shade should be adjusted to the fully lowered position.
- Locate the cord route in the top of the headrail behind the shade.
- On the back of the shade, adjust any roman bar clips by hand that are out of vertical alignment with the cord location in the headrail.

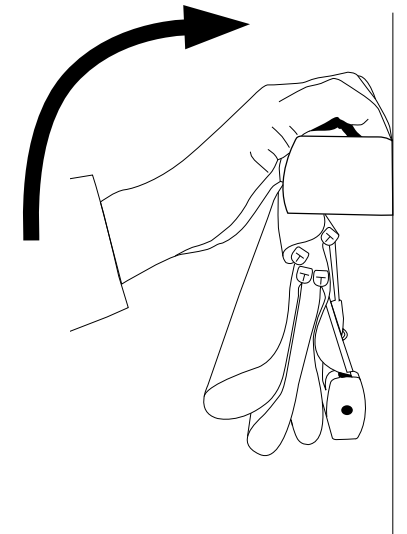
UNINSTALL

REMOVING THE SHADE

- Fully raise the shade.
- **Step 1:** Use a flathead screwdriver and push downwards on spring tab and then rotate the front headrail.
- **Step 2:** While pushing back on the headrail, rotate the front of the headrail up. Never force the spring tab beyond the back of the brackets.



Step 1



Step 2



CAUTION: Hold shade firmly when removing. Failure to do so may result in the shade falling and possible injury.

CLEANING PROCEDURES

A brush-type vacuum attachment or feather duster should be used for cleaning. If your shade should become stained, you may clean it by dabbing the spot with a sponge dampened with lukewarm water. Do not immerse shade in water. Avoid contact with window cleaning products as these may discolor your shade. Ultrasonic cleaning is not recommended or covered by our warranty. Improper cleaning may damage the shade and void warranty.



DUSTING

Use a feather duster for regular cleaning.



FORCED AIR

Blow away dirt and debris using clean compressed air.



PROFESSIONAL INJECTION/EXTRACTION CLEANING

Call local on-site blind/shade cleaner that injects a cleaning solution into the fabric and extracts the dirty solution at the same time. The service is typically performed at home so you do not need to remove your window treatments.



VACUUMING

Use a low suction vacuum with a brush-type cleaner attachment; stroke lightly over the shade to clean.



SPOT-CLEANING/STAIN REMOVAL AT HOME

Use warm water and a mild soap, like Woolite® or Scotchgard®, if needed. Do not immerse shade in water.

Additional Notes

- Once mounted, leave the shade in the lowered position for 48 hours to release any wrinkles in the fabric.
- Shades made from patterned fabrics may differ slightly in the location of of the pattern from shade to shade. This is due to normal variation in the roll from which the fabric is cut for the shade.
- With time, soft folds may settle or flatten. Shades that are raised regularly will be less subject to settling and will maintain a more relaxed appearance.

WARRANTY

For complete warranty information visit LEVOLOR.com or call Customer Service at 1-800-LEVOLOR or 1-800-538-6567.

CONTACTING US

To contact LEVOLOR Customer Service regarding any questions or concerns you may have about your new shades, you may reach us at 1-800-LEVOLOR (8:30 am – 6:30 pm EST)

www.LEVOLOR.com

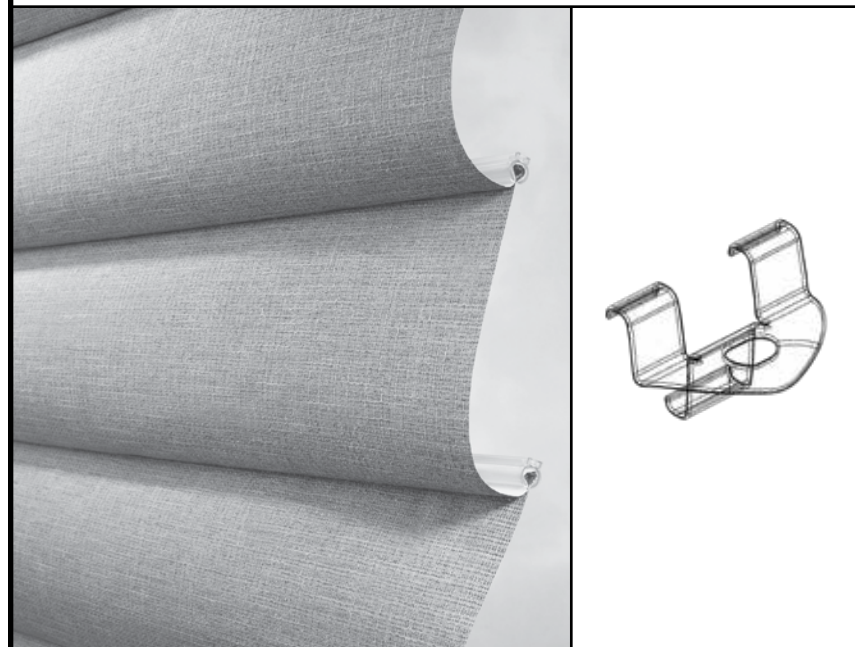
ADDITIONAL PARTS AND SERVICES

Additional or replacement parts can be ordered, or shades can be repaired or restrung through our repair center. Please contact LEVOLOR customer service through www.LEVOLOR.com for a return authorization number.

LEVOLOR®

Persianas romanas

INSTALACIÓN • MANEJO • CUIDADO



Control de elevación sin cuerda

CONTENIDO

Terminología de ventanas y persianas

Tipos de montaje y terminología de ventanas	23
Estilos de elevación	24

Introducción

Descripción general de la colocación.....	25
Componentes incluidos	26
Herramientas y pasadores que puede necesitar	27

Colocación

Montaje interior	28-30
Montaje exterior	31-33

Colocación: componentes adicionales

Cómo colocar la cenefa	34
Soportes de extensión	34
Bloques espaciadores.....	34
Soportes de sujeción	34

Manejo

Cómo manejar la persiana.....	35
Cómo ajustar la alineación	36

Sacar la persiana

Cómo sacar la persiana	37
------------------------------	----

Limpieza y cuidado

Procedimientos de limpieza	38
----------------------------------	----

Información adicional

Garantía	39
Servicio de Atención al Cliente	39

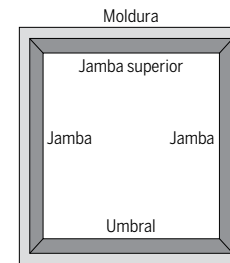


WARNING: mantenga todas las piezas pequeñas, los componentes y el empaque lejos de los niños ya que pueden tragarlos, lo cual puede ocasionarles lesiones graves o la muerte. Consulte todas las indicaciones y etiquetas de advertencia en las instrucciones y en la persiana misma.

TERMINOLOGÍA DE VENTANAS Y PERSIANAS

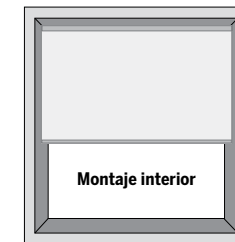
Gracias por comprar las persianas romanas LEVOLOR®. Con una colocación, operación y cuidado adecuados, su nueva persiana romana le brindará decoración y funcionalidad por muchos años. Lea atentamente este folleto de instrucciones antes de comenzar la colocación.

TIPOS DE MONTAJE Y TERMINOLOGÍA DE VENTANAS



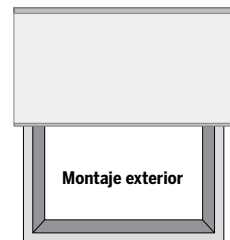
Terminología de los componentes de una ventana

- En su conjunto, el umbral y las jambas se llaman "batiente de la ventana" o "marco".



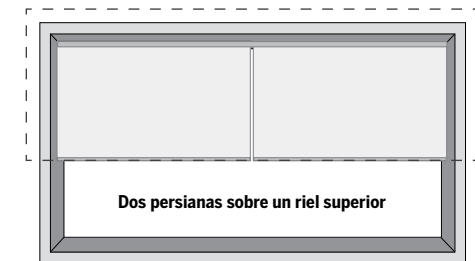
Montaje interior

- La persiana se ajusta en la abertura de la ventana.
- Ideal para ventanas con marcos elegantes.



Colocación exterior

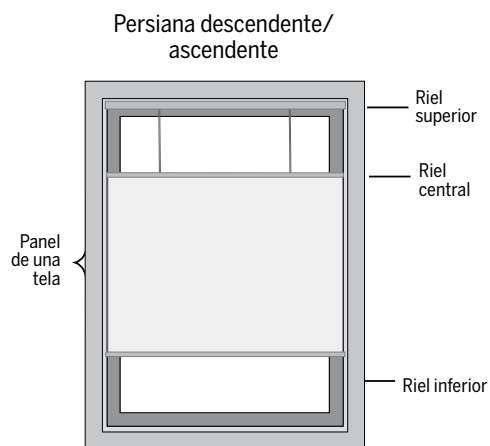
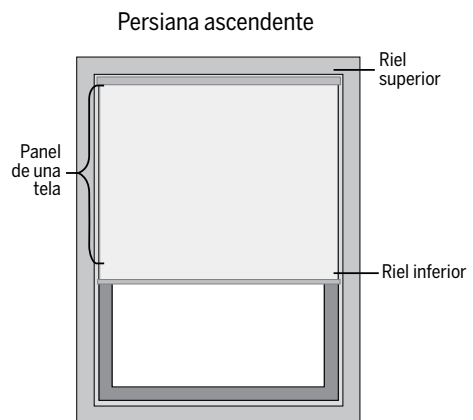
- La persiana se coloca por fuera de la abertura de la ventana.
- Mayor control de la luz y privacidad.



Dos persianas sobre un riel superior

- Brinda la apariencia nítida de ser una sola persiana, teniendo además la capacidad de manejar cada persiana de forma independiente.
- Se pueden colocar por dentro o por fuera.

ESTILOS DE ELEVACIÓN



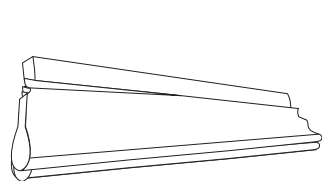
DESCRIPCIÓN GENERAL DE LA COLOCACIÓN

- **IMPORTANTE:** Si está atada, no la suelte hasta que la persiana esté colocada en la ventana.
- Compruebe que el riel superior sea del ancho adecuado. Si está colocando varios juegos de persianas, asegúrese de hacer coincidir cada uno con la ventana correspondiente.
- Compruebe la superficie de la colocación para asegurarse de que tiene los pasadores y herramientas adecuados.
- Extienda y organice todas las piezas y componentes.
- Su pedido incluirá la cantidad correcta de soportes de colocación para el ancho de su persiana, como se muestra en la siguiente tabla.
- Es posible que los pedidos de persianas incluyan bloques separadores o soportes de extensión, si se especificó, para lograr mayor espacio libre.

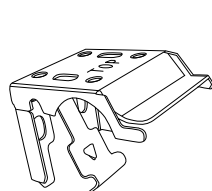
Soportes de colocación	
Ancho de la persiana (pulgadas)	Cantidad de soportes
	Sin cuerdas
Hasta 38"	2
> 38" - 68"	3
> 68" - 82"	4
> 82" - 106"	5
> 106" - 130"	6
> 130"	7

INTRODUCCIÓN

COMPONENTES INCLUIDOS



Persiana romana



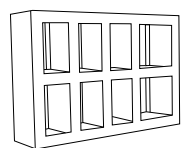
Soporte de montaje



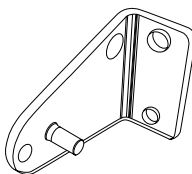
Tirador sin cuerda



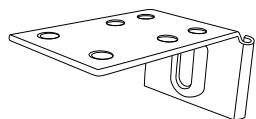
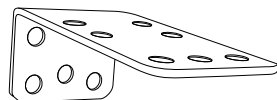
Tornillos de cabeza hexagonal (2 por soporte)



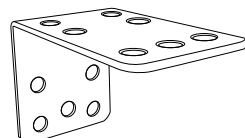
Bloques espaciadores (opcional)



Soporte de sujeción (opcional)



Soportes de extensión (opcional)



- Persiana
- Soportes de montaje
- Elementos de colocación
- Otros accesorios (opcional)

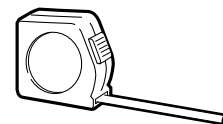
Se incluirán artículos opcionales si se ha seleccionado en el momento de realizar el pedido de la persiana.

INTRODUCCIÓN

HERRAMIENTAS Y PASADORES QUE PUEDE NECESITAR (no incluidos)

Las herramientas que necesitará para instalar su persiana variarán en función de la superficie de colocación y el tipo de soporte de montaje.

Entre las herramientas que habitualmente se emplean para la colocación, se incluyen las siguientes:



Cinta métrica metálica



Destornilladores (tanto de punta plana como tipo Phillips)



Llave de tuerca de 1/4"



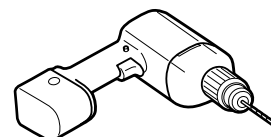
Gafas de seguridad



Taquetes para panel de yeso



Nivelador



Taladro con brocas



Lápiz



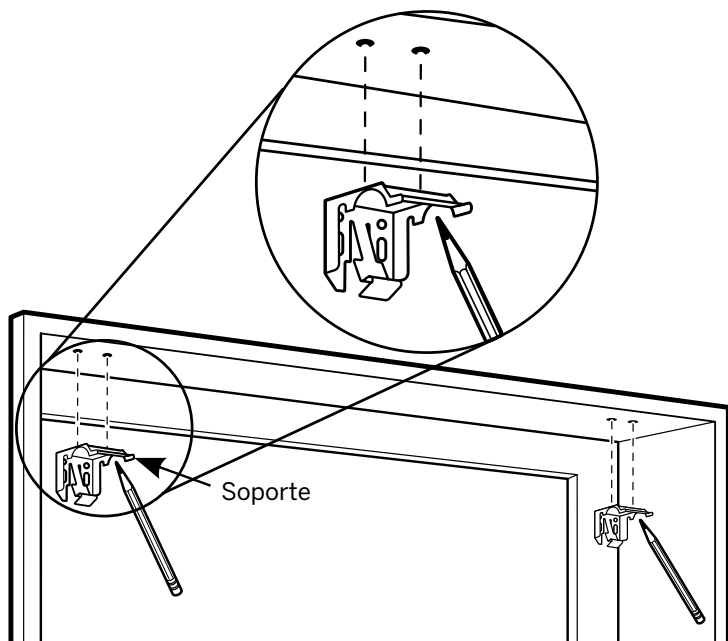
Escalera

Nota: Podrían necesitarse tornillos más largos con soportes de extensión y separadores, no se muestra.



PRECAUCIÓN: Use taquetes para panel de yeso cuando monte en ese material. (No proporcionado). Si sujeta la persiana de manera incorrecta, podría ocasionar que esta se caiga y provoque una lesión.

MONTAJE INTERIOR (MI)

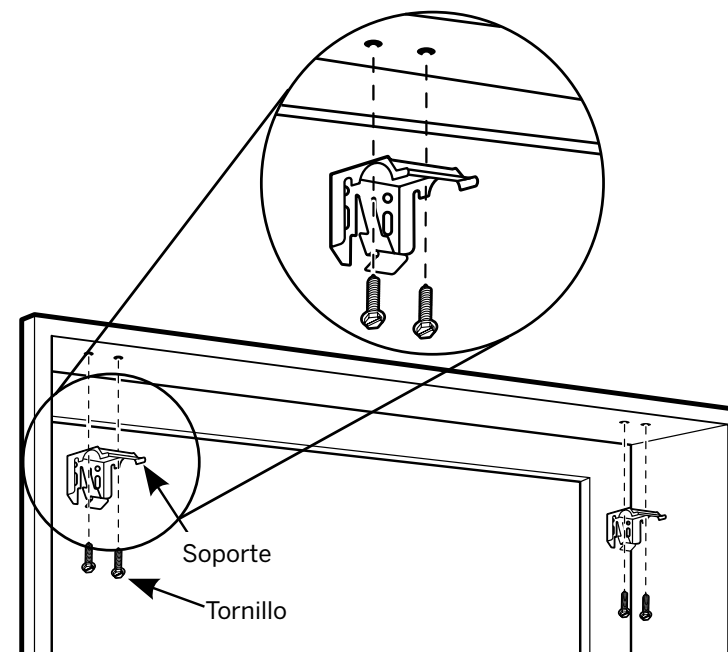


PASO 1: MARCAR LAS UBICACIONES DE LOS SOPORTES

IMPORTANTE: Antes de marcar la ubicación de los soportes, asegúrese de que su colocación no interfiera con ningún componente dentro del riel superior.

- Compruebe que la carcasa de su ventana tenga una profundidad mínima de ½", lo que permite un riel superior parcialmente empotrado.
- Si desea un montaje estándar (totalmente empotrado), se requiere una profundidad mínima de montaje de 2 ⅛".
- Marque entre 1" y 2" en cada jamba para ubicar el soporte.
- Marque con un lápiz la ubicación de los orificios de perforación alargados a través de la parte superior de los orificios del soporte: 2 orificios por soporte.
- Si se incluyen más de dos soportes de colocación con su pedido, coloque los soportes adicionales de manera uniforme entre los dos soportes de los extremos, a no más de 30" de distancia, y marque las ubicaciones de los agujeros de perforación.

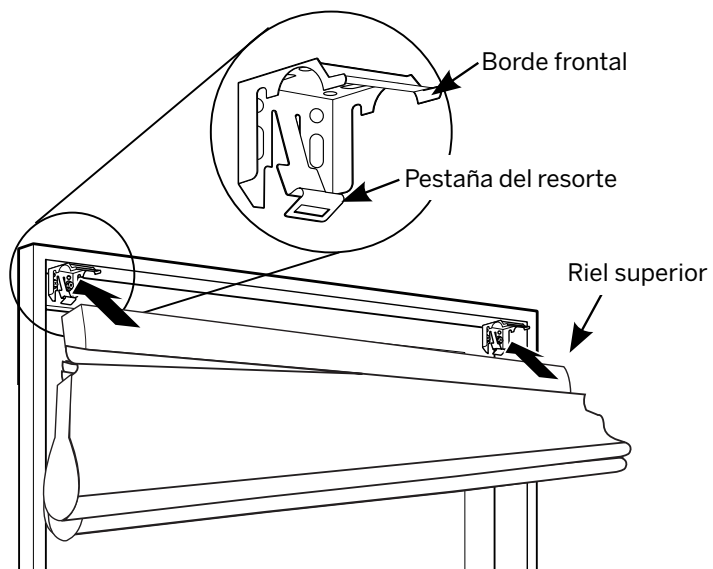
MONTAJE INTERIOR (MI)



PASO 2: COLOCAR LOS SOPORTES

- Perfore previamente agujeros para los tornillos, utilizando una broca de ⅛" (solo para superficies de montaje de madera y metal); utilice marcas de lápiz como guía.
- Sostenga el soporte con la superficie marcada como "Superior" hacia arriba. Alinee los orificios de los tornillos taladrados anteriormente y los orificios rectangulares más grandes en el soporte.
- Mientras que sostiene el soporte en su lugar, asegúrelo mediante tornillos: 2 tornillos por soporte.
- Repita con cada soporte.
- Asegúrese de que todos los soportes estén cuadrados entre sí.

MONTAJE INTERIOR (MI)



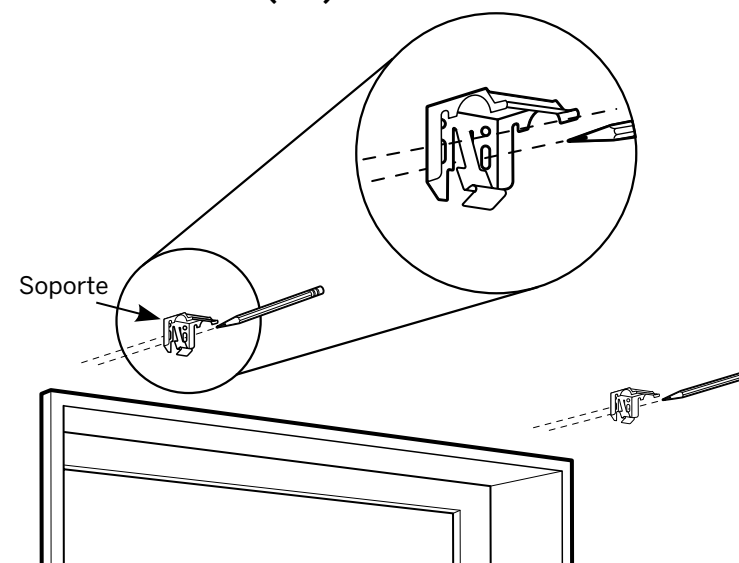
PASO 3: COLOCAR LA PERSIANA

- Cuelgue el lado frontal curvo del riel superior en el borde frontal de los soportes.
- Gire el riel superior hacia atrás contra la ventana hasta que escuche un chasquido. Esto le permitirá saber que la persiana está enganchada en los soportes.
- Coloque el tirador de funcionamiento incluido calzándolo en la parte frontal del riel inferior, si es una persiana descendente/ascendente, coloque también un tirador en el riel central.



PRECAUCIÓN: Asegúrese de que el soporte y el riel superior estén correctamente asegurados antes de poner la persiana en funcionamiento. En caso contrario, la persiana puede caerse y causar lesiones.

MONTAJE EXTERIOR (ME)



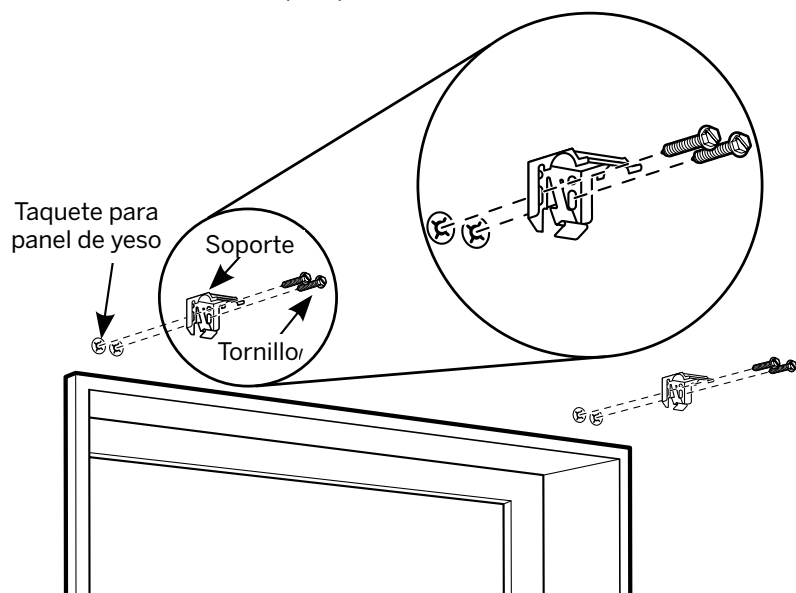
PASO 1: MARCAR LAS UBICACIONES DE LOS SOPORTES

IMPORTANTE: Antes de marcar la ubicación de los soportes, asegúrese de que su colocación no interfiera con ningún componente dentro del riel superior.

IMPORTANTE: La parte posterior de los soportes debe estar alineada con una superficie de montaje plana. NO monte los soportes en molduras curvas.

- Coloque el riel superior sobre el centro de la abertura de la ventana a la altura deseada.
- Use un lápiz para marcar levemente cada extremo del riel superior.
 - De manera alternativa, mida el ancho del riel superior y use ese ancho para marcar los puntos finales de este sobre la abertura de la ventana.
- Marque entre 1 y 2" desde cada extremo del riel superior para las posiciones del soporte de colocación.
 - Deje un mínimo de 1/4 pulgadas entre la parte inferior del soporte de colocación y la parte superior de la moldura de la ventana.
- Marque con un lápiz las ubicaciones de los tornillos del soporte de colocación o extensión a través de los orificios posteriores rectangulares del soporte más grandes. Utilice 2 tornillos por soporte.
- Use un nivel para garantizar que todos los soportes están alineados.
- Si en su pedido hay más de dos soportes de colocación, coloque los soportes adicionales de manera uniforme entre los dos soportes de los extremos a no más de 30" de distancia y marque las ubicaciones de los orificios.

MONTAJE EXTERIOR (ME)



PASO 2: COLOCAR LOS SOPORTES

IMPORTANTE: Use taquetes para panel de yeso cuando la colocación se haga sobre un panel de yeso (no incluidos).

IMPORTANTE: La parte posterior de los soportes debe estar alineada con una superficie de montaje plana. NO monte los soportes en molduras curvas.

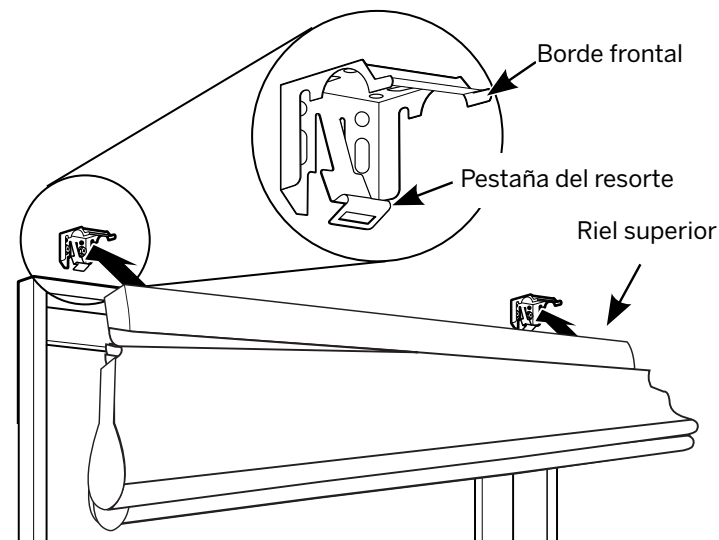
- Perfore previamente los agujeros para los tornillos utilizando una broca de 1/16", realice marcas de lápiz como guía.
- Sostenga el soporte con la superficie marcada como "Superior" de modo que quede hacia arriba y luego alinee los orificios de los tornillos ya hechos con los orificios del soporte.
 - **Nota:** Si usa bloques espaciadores, apile estos bloques en la parte posterior de los soportes de colocación (consulte la página 34 para obtener información adicional).
- Mientras sujeta el soporte en su lugar, asegúrelo con tornillos, 2 tornillos por soporte.



PRECAUCIÓN: No use más de un bloque espaciador. El uso de más de un bloque espaciador podría ocasionar la caída de la persiana y provocar lesiones.

- Repita con cada soporte.
- Use un nivel para confirmar que todos los soportes están alineados.

MONTAJE EXTERIOR (ME)



PASO 3: COLOCAR LA PERSIANA

- Cuelgue el lado frontal curvo del riel superior en el borde frontal de los soportes.
- Gire el riel superior hacia atrás contra la ventana hasta que escuche un chasquido. Esto le permitirá saber que la persiana está enganchada en los soportes.
- Coloque el tirador de funcionamiento incluido calzándolo en la parte frontal del riel inferior; si es una persiana descendente/ascendente, coloque también un tirador en el riel central.

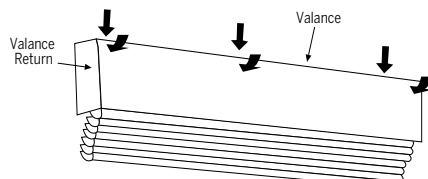


PRECAUCIÓN: No use más de un bloque espaciador. El uso de más de un bloque espaciador podría ocasionar la caída de la persiana y provocar lesiones.

CÓMO COLOCAR LA CENEFA

Colocación de la cenefa

- Enganche la parte superior de la cenefa sobre el borde superior del riel superior.
- Presione cuidadosamente la cenefa hacia abajo y hacia atrás contra el riel superior hasta que la cenefa se fije en su lugar.

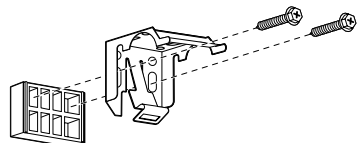
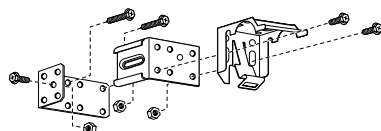


Fijar los recodos de la cenefa (solo para montaje exterior)

- Doble los recodos de la cenefa alrededor del extremo del riel superior y presione firmemente en su lugar para que las tiras de velcro se unan.

SOPORTES DE EXTENSIÓN (opcional)

- Los soportes de extensión opcionales brindan espacio libre para evitar obstrucciones.
- Los soportes de extensión de montaje exterior proporcionarán un espacio de entre 1 y 3" entre el riel superior y la superficie de montaje. Monte el soporte de extensión como se muestra.
- Fije un soporte de extensión a cada soporte de montaje estándar.



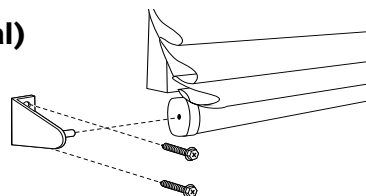
BLOQUES ESPACIADORES (opcionales)

- Los bloques espaciadores de montaje exterior proporcionarán un espacio libre adicional de 3/8" como se muestra.
- Si se usan espaciadores, pueden ser necesarios tornillos más largos para garantizar una colocación segura (no incluidos).

PRECAUCIÓN: No use más de un bloque espaciador. El uso de más de un bloque espaciador podría ocasionar la caída de la persiana y provocar lesiones.

SOPORTES DE SUJECIÓN (opcional)

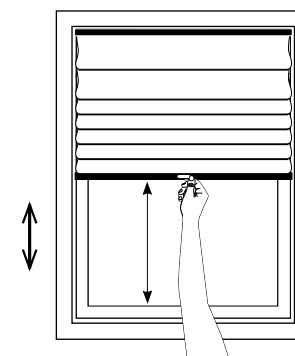
- Ideales para las puertas, los soportes de sujeción evitan que la persiana oscile. Coloque a cada lado del riel inferior, tal como se muestra.



ASCENDENTE SIN CUERDA

- Para bajar la persiana, tome el tirador en el riel inferior y jale hacia abajo hasta alcanzar la posición deseada. Suelte y la persiana permanecerá en su lugar.
- Para subir la persiana, tome el tirador en el riel inferior y empuje hacia arriba hasta alcanzar la posición deseada. Suelte y la persiana permanecerá en su lugar.

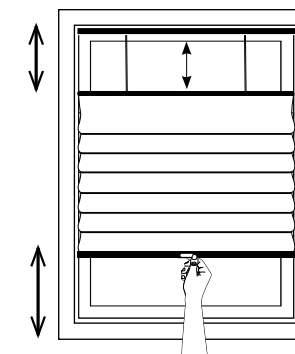
Persiana ascendente



PERSIANA DESCENDENTE/ASCENDENTE SIN CUERDA

- Para subir o bajar el riel central, tome el tirador en el riel central y empuje hacia arriba o jale hacia abajo hasta alcanzar la posición deseada. Suelte y la persiana permanecerá en su lugar.
- Para subir o bajar el riel inferior, tome el tirador en el riel inferior y empuje hacia arriba o jale hacia abajo hasta alcanzar la posición deseada. Suelte y la persiana permanecerá en su lugar.

Persiana descendente/ascendente



MANEJO

CÓMO AJUSTAR LA ALINEACIÓN Y LOS PLIEGUES

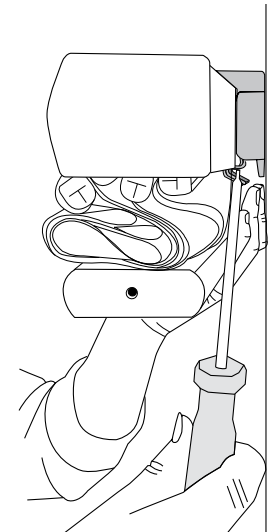
Para asegurarse de que la persiana suba y baje de forma pareja, puede ser necesario ajustar los clips del barral romano en la parte posterior de la persiana. Estos clips están alineados; sin embargo, pueden desalinearse de vez en cuando.

- Se debe ajustar la persiana en la posición extendida.
- Ubique las guías de las cuerdas arriba del riel superior, detrás de la persiana.
- En la parte posterior de la persiana, ajuste manualmente cualquier clip del barral romano que no esté alineado verticalmente con la posición de la cuerda en el riel superior.

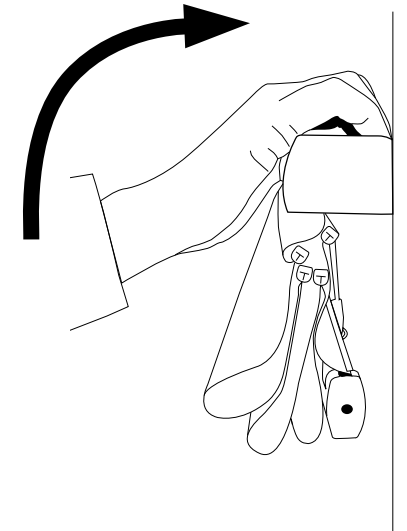
SACAR LA PERSIANA

CÓMO SACAR LA PERSIANA

- Suba la persiana completamente.
- **Paso 1:** Use un destornillador de cabeza plana y presione hacia abajo en la pestaña del resorte y luego gire el riel superior frontal.
- **Paso 2:** Mientras empuja hacia atrás el riel superior, gire la parte delantera de este riel hacia arriba. Nunca fuerce la pestaña del resorte más allá de la parte posterior de los soportes.



Paso 1



Paso 2



PRECAUCIÓN: sostenga firmemente la persiana al momento de retirarla. En caso contrario, la persiana puede caerse y causar lesiones.

PROCEDIMIENTOS DE LIMPIEZA

Utilice una aspiradora con un cepillo tipo brocha o un plumero para limpiar la persiana. Si la persiana se mancha, puede limpiar la zona frotando con una esponja humedecida en agua tibia. No sumerja la persiana en agua. Evite el contacto con productos de limpieza para ventanas, ya que podrían desteñir la persiana. No se recomienda la limpieza ultrasónica y tampoco está cubierta por la garantía. La limpieza inadecuada puede dañar la persiana y anular la garantía.



LIMPIEZA DEL POLVO

Use un plumero para una limpieza periódica.



AIRE FORZADO

Elimine los restos y la suciedad mediante aire comprimido limpio.



LIMPIEZA PROFESIONAL POR INYECCIÓN/EXTRACCIÓN

Llame a un limpiador de persianas a domicilio que inyecte una solución limpiadora sobre la tela de la persiana y extraiga la solución sucia al mismo tiempo. El servicio se brinda generalmente a domicilio, por lo cual no necesita desmontar los accesorios de la ventana.



LIMPIAR CON ASPIRADORA

Utilice una aspiradora de succión baja, con un cepillo tipo brocha y páselo suavemente por la persiana para limpiarla.



LIMPIEZA O ELIMINACIÓN DE MANCHAS EN EL HOGAR

Utilice agua caliente y un jabón suave, por ejemplo, Woolite® o Scotchgard®, si fuese necesario. No sumerja la persiana en agua.

Avisos adicionales

- Una vez colocada, deje la persiana extendida durante 48 horas para eliminar las arrugas de la tela.
- Las persianas confeccionadas con telas estampadas pueden presentar una leve diferencia entre sí, dependiendo de la ubicación del estampado. Esto se debe a la variación normal del rollo de tela que se utiliza para confeccionar la persiana.
- Con el tiempo, los pliegues pueden asentarse o aplanarse. Si se suben las persianas regularmente, estas serán menos propensas a asentarse y mantendrán un aspecto más relajado.

GARANTÍA

Para obtener información completa sobre la garantía, visite LEVOLOR.com o llame al Servicio de Atención al Cliente al 1-800-LEVOLOR o al 1-800-538-6567.

PÓNGASE EN CONTACTO CON NOSOTROS

Para ponerse en contacto con el Servicio de Atención al Cliente de LEVOLOR y plantear alguna duda o problema que pueda tener acerca de su nueva persiana, llámenos al 1-800-LEVOLOR (de 8:30 a. m. a 6:30 p. m., EST)

www.LEVOLOR.com

PIEZAS ADICIONALES Y SERVICIOS

Puede solicitar piezas adicionales o de repuesto; así mismo, las persianas se pueden reparar o se les puede cambiar la cuerda en nuestro centro de reparaciones. Comuníquese con el servicio al cliente de LEVOLOR a través de www.LEVOLOR.com para obtener un número de autorización de devolución.

19-0050-030

©2020 LEVOLOR®, Inc.
5775 Glenridge Drive
Building A
Atlanta, GA 30328

1011796