

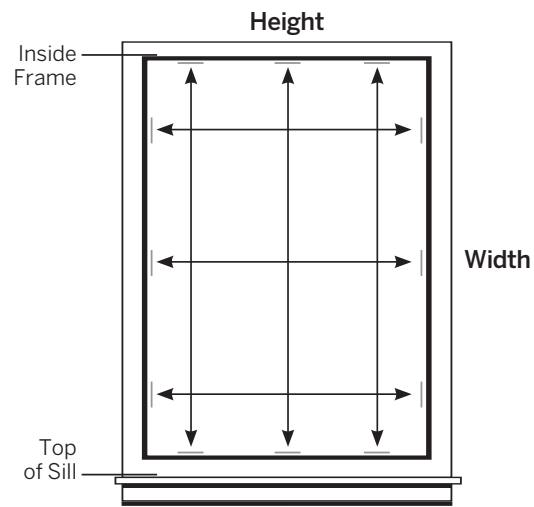
CUSTOM

Shades

ROMAN & NATURAL

LEVOLOR®

How To Measure Quickly & Accurately



Inside Mount

Inside Mount (IM) Installation

1 Measure Width

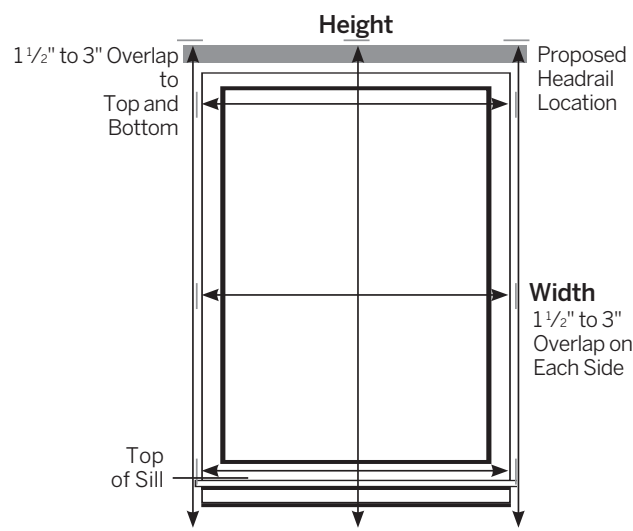
Measure to the nearest 1/8" between inside surfaces of window frame; at the top, middle, and bottom. Record the narrowest width of the three.

2 Measure Height

Measure to the nearest 1/8" from inside surface at top of window to top of sill; at the left, middle, and right. Record the tallest height of the three.

3 Measure Depth

Measure exact depth of window casing making note of any obstacles, i.e. handles, tracks, or cranks that could interfere with the blind or shade function. Use the shortest depth.



Outside Mount

Outside Mount (OM) Installation

1 Measure Width

Measure to the nearest 1/8" between outermost points where shade is to be placed. Measurement should overlap each side of window frame by at least 1 1/2".

2 Measure Height

Measure to the nearest 1/8" from where top of shade will be located to top of sill, or measure to point of shade reach if no sill.

NOTE: Take all measurements to the nearest 1/8". DO NOT take any deductions. The factory will make the necessary adjustments to help ensure your window covering operates smoothly.

Helpful Hints

Always use a metal tape measure as cloth may stretch.

Measure your window - not your existing blind or shade.

Measure each window separately even if they appear to be identical.

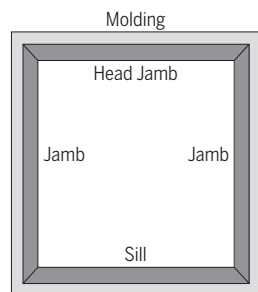
Check depth to ensure shade will clear any obstacles and can accommodate headrail if flush mount is desired.

If you prefer shade not to touch sill, deduct 1/4".

If there is no sill, measure height to point where shade is to reach.

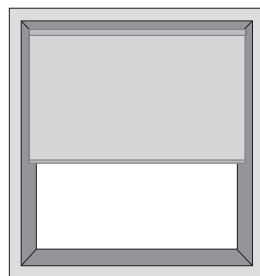
Visit www.LEVOLOR.com/how-to-measure for more measuring information

Window & Measuring Terminology



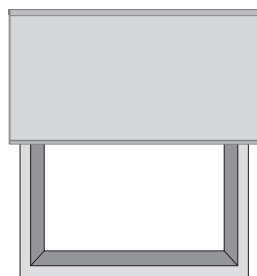
Window Components Terminology

- Collectively, the sill and jambs are called the "window casement" or "frame."



Inside Mount

- Shade fits within window opening.
- Great for windows with beautiful trim.



Outside Mount

- Shade mounts outside window opening.
- Increased light control and privacy.



2-on-1 Headrail

- Provides the clean appearance of a single shade with the ability to operate each shade independently.
- Can be mounted inside or outside.

Side Mount—Not Illustrated

- Used primarily when conventional mounting will not work—for example, in an arched window opening.

How to Measure Two Shades on One Headrail (2-on-1 Headrail)

Inside Mount (IM) Installation

1 Measure Width

Total Shade Width — Measure to the nearest $\frac{1}{8}$ " between inside surfaces of window frame; at the top, middle, and bottom.

Record the narrowest width of the three.

Left Shade Width — Measure the width that you want the left shade to cover.

Order this shade first when placing your order.

Right Shade Width — Measure the width that you want the right shade to cover.

2 Measure Height

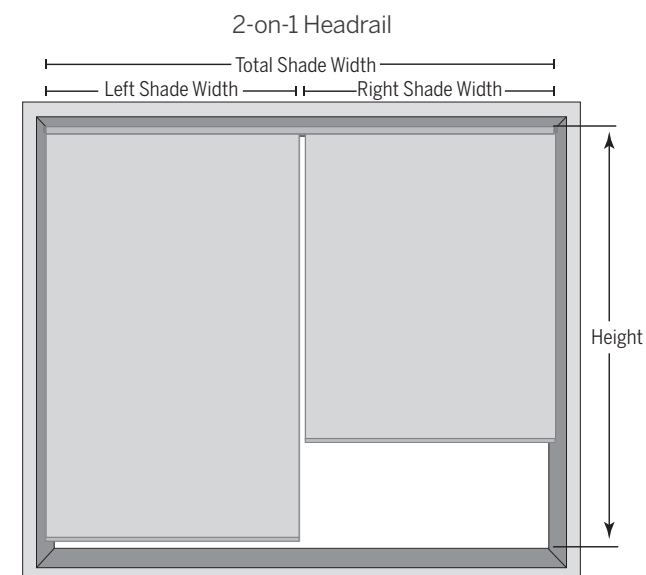
Overall Shade Height — Measure to the nearest $\frac{1}{8}$ " from inside surface at top of window to top of sill; at the left, middle, and right.

Record the tallest height of the three.

3 Measure Depth

Measure exact depth of window casing making note of any obstacles, i.e. handles, tracks, or cranks, that could interfere with the blind or shade function.

Use the shortest depth.



Outside Mount (OM) Installation

1 Measure Width

Overall Shade Width — Measure to the nearest $\frac{1}{8}$ " between outermost points where shade is to be placed.

Add an additional 3" to 6" to total width for maximum privacy.

Left Shade Width — Measure the width that you want the left shade to cover.

Order this shade first when placing your order.

Right Shade Width — Measure the width that you want the right shade to cover.

2 Measure Height

Overall Shade Height — Measure to the nearest $\frac{1}{8}$ " from where top of shade will be located to top of sill or, measure to point of shade reach if no sill.

2-ON-1 HELPFUL NOTES:

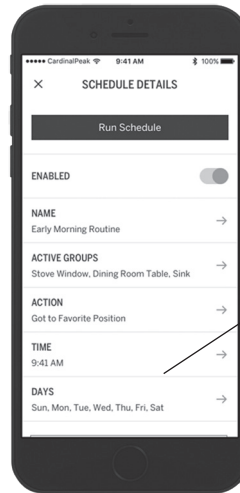
- Each shade operates individually.
- There will be a gap between the fabric on the left and right shades to operate independently.
- Light gap is $\frac{1}{2}$ " — (Light Gap is the space needed between the 2 shades to ensure proper operation.)
- Left shade controls are on the left side and the right shade controls on the right.
- Always use a metal tape measure as cloth may stretch.
- Take all measurements to the nearest $\frac{1}{8}$ ". DO NOT take any deductions.
- The factory will make the necessary adjustments to help ensure your shade operates smoothly.

Motorization Overview

Motorization

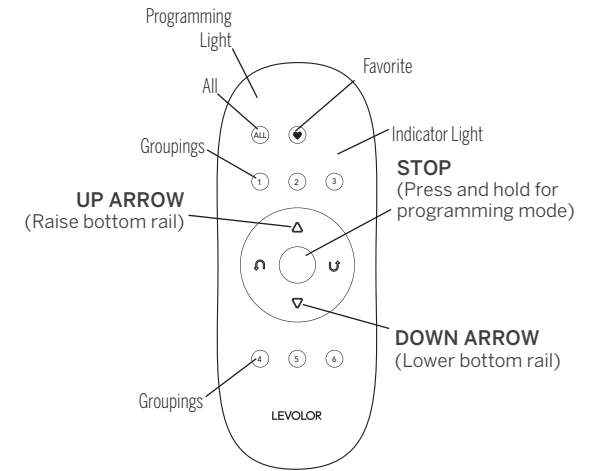
Control light and privacy with a simple click.

- Program your shades to adjust automatically using LEVOLOR's scheduling app.
- Or, adjust shades using the remote.
- Group multiple shades together to open and close simultaneously and save pre-set favorite position.
- Must purchase 6-channel remote in order to use scheduling app.
- App is available for iOS and Android products.
- LEVOLOR app is powered by Bluetooth connectivity, allowing your iOS and Android devices to control your window coverings wirelessly over short distances. Both your mobile device and remote must be within range of your window covering(s) in order to control them using the app.



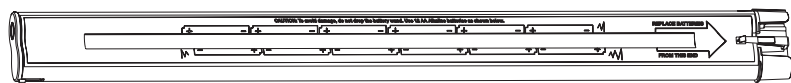
Schedule pre-set positions, days, and times—Shades will adjust automatically whether you're home or away.

Learn more at LEVOLOR.com/in-motion



BATTERY SPECIFICATIONS – MOTORIZED ONLY		
Battery	Type	Quantity
Standard Battery Pack	AA 1.5V Alkaline	12
Satellite Battery Pack	AA 1.5V Alkaline	12
Standard Remote	AAA Alkaline	2

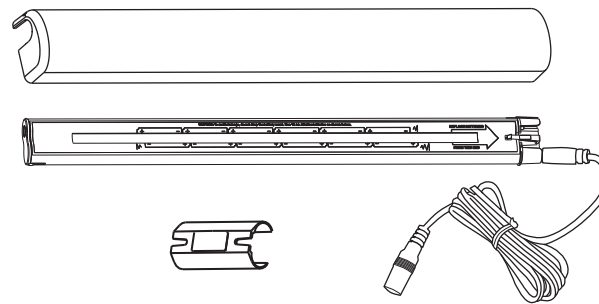
NOTE: Expected battery life is one year depending on usage, and size and weight of the blind. Lithium and rechargeable batteries are not recommended. Not compatible with Google Home, Amazon Alexa, or other smart home systems.



Standard Battery Pack

A tube of batteries that is connected to and installed behind the headrail to supply power to the LEVOLOR motorized operating system.

- Batteries can be changed without removing the window covering from the window.
- Each battery tube uses 12 AA 1.5V alkaline batteries.
- Battery life varies depending on usage.
- Replace batteries when the window covering(s) begin to operate slowly.
- Lithium and rechargeable batteries are not recommended.



Satellite Battery Pack

An optional power source that allows the battery pack to be mounted on the top of a headrail, next to molding, or under the sill. It is the best choice when the window covering is mounted in a high window, restricting access to the battery pack. Must be selected at time of order.

- Available in 4 wire lengths: 15 inches, 4 feet, 10 feet, 20 feet.
- Satellite battery pack cover can be painted.
- Each battery tube uses 12 AA 1.5V alkaline batteries.
- Battery life varies depending on usage.
- Replace batteries when the window covering(s) begin to operate slowly.

NOTE: A single standard battery pack or a satellite battery pack will fit with any shade. There are no size limitations based on battery pack selection.

Roman Shades

Shade Style

Refers to the shade appearance when completely lowered.

Flat Fold



- Neatly pleated fabric for a contemporary look.

Soft Fold



- Relaxed pleat allows fabric to softly cascade down.

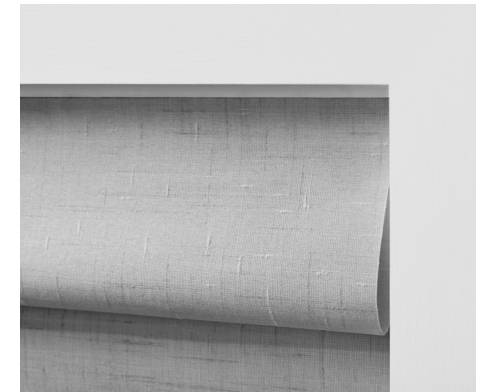
Valance Style

Integrated



- Modern design; color coordinates with the shade fabric.

Classic



- Traditional, matching fabric valance.

Lift Control

Corded



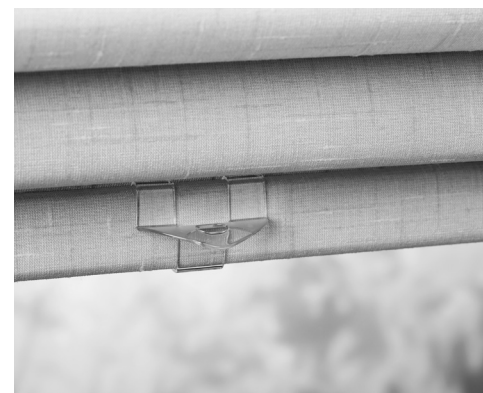
- Raise and lower shade with pull cords.

Cord Loop



- Perfect for large windows.
- Eliminates dangling cords.
- Cords remain the same length regardless of shade position.

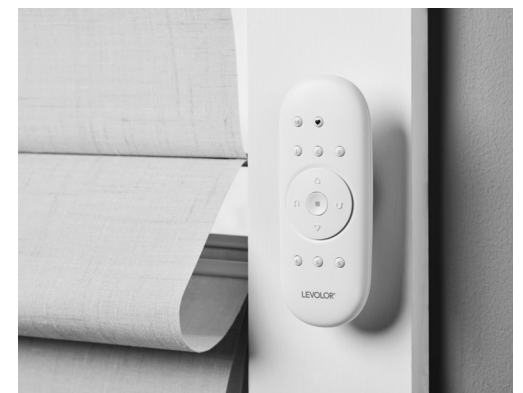
Cordless



- Offers a clean, finished profile across all your windows without dangling cords.
- Bottom rail handle included for operation.

NOTE: Extension pole can be purchased separately to raise and lower shades that are hard to reach.

Motorized



- Raise and lower shade via remote control or app.

Roman Shades

Lift Styles

Bottom-Up



- Standard operation; shade raises and lowers from the bottom.

Top-Down/Bottom-Up



- The shade can be lowered from the top and raised from the bottom.
- The shade is measured the same way as a standard shade.
- Available in Corded and Cordless.

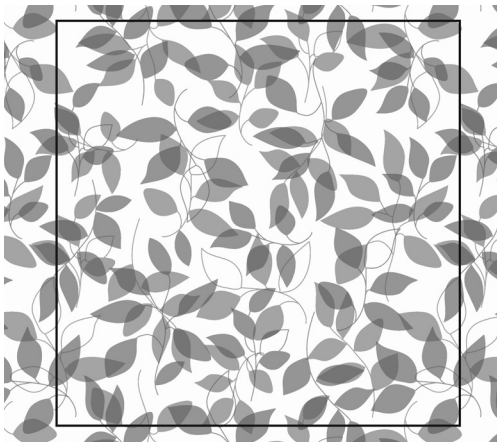
NOTE: For corded shades, separate controls on each side of the shade control the rails independently. Left controls lift from the bottom; right controls lower from top. Not available with 2-on-1 headrail.

Pattern Fabrics

Shades made from the patterned collections may differ slightly in the location of the pattern from shade to shade. This is due to the location in the roll from which the fabric is cut for the shade.

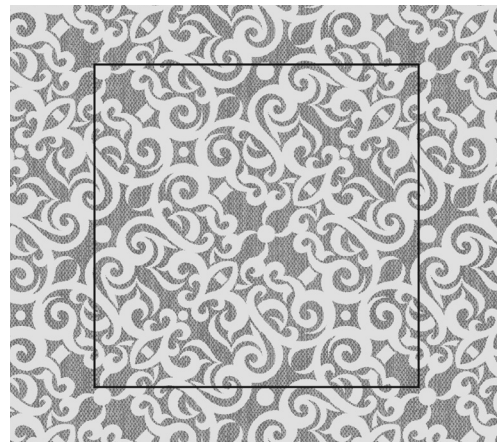
Divine

Approximate repeat size: 12.6" x 12.6"



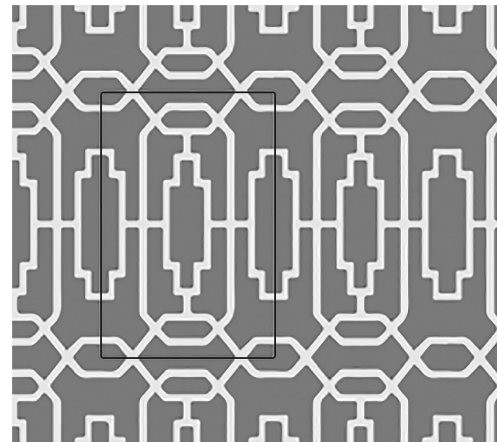
Valour

Approximate repeat size: 8.4" x 8.4"



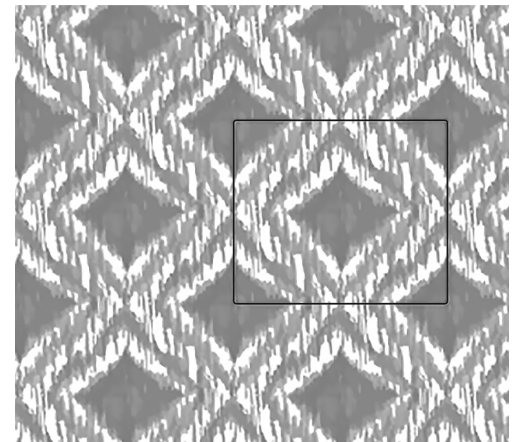
Waltz

Approximate repeat size: 3.4" x 5.2"



Fantasia

Approximate repeat size: 4.2" x 3.9"



Roman Shades Product Specifications & Critical Dimensions

Use technical information listed below to assist in product selection.

OPERATING SYSTEM & SHADE FUNCTION COMBINATIONS					
Shade Type	Shade Function	Operating System			
		Corded	Cord Loop	Cordless	Motorized
Single Shade	Bottom-Up	✓	✓	✓	✓
	Top-Down/Bottom-Up	✓	N/A	✓	N/A
2-on-1	Bottom-Up	✓	✓	✓	N/A
	Top-Down/Bottom-Up	N/A	N/A	✓	N/A

HEADRAIL & BOTTOM RAIL DIMENSIONS				
NOTE: Reference Minimum Depth Requirements chart for required depths needed for proper installation.				
Operating System	Headrail Dimensions		Bottom Rail Dimensions	
	Depth	Height	Depth	Height
Corded Bottom-Up	1 7/8"	1/2"	3/4"	1 1/4"
Corded Top-Down/Bottom-Up	1 7/8"	1/2"		
Cord Loop	1 3/4"	1 3/8"		
Cordless Bottom-Up	1 3/4"	1 3/8"		
Cordless Top-Down /Bottom-Up	1 3/4"	1 3/8"		
Motorized	2"	1 1/4"		

INSTALLATION BRACKETS	
Your order will include the correct number of installation brackets for your shade width, as shown in the table below.	
Shade Width	Number of Brackets
up to 38"	All Operating Systems 2
> 38" - 68"	3
> 68" - 82"	4
> 82" - 106"	5
> 106" - 130"	6
> 130"	7

LIFT CONTROL OPERATION & OPTIONS					
Shade Type	Shade Function	Operating System			
		Corded	Cord Loop	Cordless	Motorized
Single Shade	Bottom-Up	Left or right control; left is standard	Left or right control; left is standard	Handle operates shade	Right control only
	Top-Down/Bottom-Up	Left control operates bottom rail; right control operates middle rail	N/A	Handle operates shade	N/A
2-on-1	Bottom-Up	Left control operates left shade; right control operates right shade	Left control operates left shade; right control operates right shade	Handle operates shade	N/A
	Top-Down/Bottom-Up	N/A	N/A	Handle operates shade	N/A

STANDARD FACTORY DEDUCTIONS		
DO NOT make any deductions to your measurements.		
	Inside Mount	Outside Mount
Corded Bottom-Up	3/8"	0"
Corded Top-Down/Bottom-Up	3/8"	0"
Cord Loop	3/8"	0"
Cordless Bottom-Up	3/8"	0"
Cordless Top-Down/Bottom-Up	3/8"	0"
Motorization	3/8"	0"

LIGHT GAPS (Fabric width is narrower than the finished shade)		
Light Gaps Per Side		
Operating System	Inside Mount	Outside Mount
All Operating Systems	1/4"	0"

CORD LOOP CORD LENGTHS		
Minimum Shade Length	Maximum Shade Length	Length
18"	33"	1'
> 33"	48"	2'
> 48"	60"	3'
> 60"	72"	4'
> 72"	90"	6'

The control lengths for cord loops may be changed from default lengths. Please refer to retail ordering system for details.

CORDED SHADE CORD LENGTHS
Default cord length is 2/5 the length of the shade. The control lengths for cords may be changed from default lengths. Please refer to retail ordering system for details

Roman Shades Product Specifications & Critical Dimensions

Use technical information listed below to assist in product selection.

FLAT FOLD & SOFT FOLD SINGLE SHADE CRITICAL DIMENSIONS

NOTE: Some fabric limitations may apply.

Corded Bottom-Up	Min Width	Max Width	Min Length	Max Length
Inside Mount	17"	96"	18"	120"
Outside Mount	17"	96"	18"	120"
Corded Top-Down/Bottom-Up	Min Width	Max Width	Min Length	Max Length
Inside Mount	17"	96"	18"	120"
Outside Mount	17"	96"	18"	120"
Cord Loop	Min Width	Max Width	Min Length	Max Length
Inside Mount	21"	Flat Fold: 96" Soft Fold: 72"	18"	90"
Outside Mount	21"	Flat Fold: 96" Soft Fold: 72"	18"	90"
Cordless Bottom-Up	Min Width	Max Width	Min Length	Max Length
Inside Mount	18"	Flat Fold: 96" Soft Fold: 84"	18"	78"
Outside Mount	18"	Flat Fold: 96" Soft Fold: 84"	18"	78"
Cordless Top-Down/Bottom-Up	Min Width	Max Width	Min Length	Max Length
Inside Mount	27.5"	60"	18"	78"
Outside Mount	27.5"	60"	18"	78"
Motorized	Min Width	Max Width	Min Length	Max Length
Inside Mount	20"	96"	18"	120"
Outside Mount	20"	96"	18"	120"

MOUNTING DEPTH REQUIREMENTS

	Corded/Cord Loop/Cordless	Motorized
Width Tolerance	+ - 1/8"	+ - 1/8"
Height Tolerance	+1" -0"	-1/8" +1/4"
Valance Height	4 1/2"	4 1/2"
Extension Bracket Projection	3/8" - 3"	1" - 4"

2-ON-1 CRITICAL DIMENSIONS

NOTE: Some fabric limitations may apply. 2-on-1 not available in Corded Top-Down/Bottom-Up & Motorized operating systems.

Corded Bottom-Up	Min Width	Max Width	Min Length	Max Length
Inside Mount	34 1/2"	144"	18"	120"
Outside Mount	34 1/2"	144"	18"	120"
Cord Loop	Min Width	Max Width	Min Length	Max Length
Inside Mount	42"	144"	18"	90"
Outside Mount	42"	144"	18"	90"
Cordless Bottom-Up	Min Width	Max Width	Min Length	Max Length
Inside Mount	36 1/2"	120"	18"	78"
Outside Mount	36 1/2"	120"	18"	78"
Cordless Top-Down/Bottom-Up	Min Width	Max Width	Min Length	Max Length
Inside Mount	55 1/2"	120"	18"	78"
Outside Mount	55 1/2"	120"	18"	78"

MINIMUM DEPTH REQUIREMENTS FOR PROPER SHADE INSTALLATION

Operating System	Minimum Mounting Depth	Minimum Depth for Fully Recessed / Flush Mount Headrail
Corded	5/8"	2 1/4"
Cord Loop	1/2"	2 1/8"
Cordless	1/2"	2 1/8"
Motorized w/standard battery mount	2"	3"
Motorized w/satellite battery mount	1 1/4"	2 1/4"

STACKING CHART

Height	24"	36"	48"	60"	72"	78"	84"	96"	108"	120"
Flat Fold										
Corded	6"	6 1/2"	6 3/4"	7 1/4"	7 3/4"	8"	8 1/4"	8 1/2"	9"	9 1/2"
Corded Top-Down/Bottom-Up	7 1/2"	8"	8 1/4"	8 1/2"	8 3/4"	9"	9 1/4"	9 3/4"	10 1/4"	10 3/4"
Cordless, Cord Loop & Motorized	7"	7 1/2"	7 3/4"	8"	8 1/2"	8 3/4"	9"	9 1/4"	9 3/4"	10 1/4"
Cordless Top-Down/Bottom-Up	8"	8 1/2"	9"	9 1/4"	9 1/2"	9 3/4"	10 1/4"	10 1/2"	11"	11 1/4"
Soft Fold										
Corded	6 1/2"	7"	7 1/2"	7 3/4"	8 1/4"	8 1/2"	8 3/4"	9 1/2"	10"	10 1/2"
Corded Top-Down/Bottom-Up	8"	8 1/2"	8 3/4"	9 1/4"	9 1/2"	9 3/4"	10 1/4"	10 3/4"	11 1/4"	11 3/4"
Cordless, Cord Loop & Motorized	7 1/2"	8"	8 1/4"	8 1/2"	9"	9 1/4"	9 3/4"	10 1/4"	10 3/4"	11 1/4"
Cordless Top-Down/Bottom-Up	8 1/4"	8 3/4"	9 1/4"	9 3/4"	10 1/4"	10 1/2"	10 3/4"	11 1/4"	11 3/4"	12 1/4"

NOTE: Stacking dimensions are approximate and can vary up to +/-1".

Roman Shades Fabric Index

FABRICS				
Collection	Color	Light Filtering	Room Darkening	Hardware Color
Atlas	Burro	MAL BR042	MAR BR042	80204
	Dark Gray	MAL GY067	MAR GY067	50002
	Graphite	MAL GY066	MAR GY066	70800
	Gray	MAL GY068	MAR GY068	50002
	Riesling	MAL YW012	MAR YW012	80204
	Silver	MAL WH067	MAR WH067	80166
	Warm White	MAL WH068	MAR WH068	00110
Designer Textures	Black	MDL 70847	MDR 70847	70147
	Blue	MDL BL010	MDR BL010	80310
	Cream	MDL 70202	MDR 70202	80012
	Dark Gray	MDL GY056	MDR GY056	70800
	Graphite	MDL 70345	MDR 70345	50002
	Light Gray	MDL 70343	MDR 70343	80166
	Light Pink	MDL RE016	MDR RE016	RE011
	Maroon	MDL RE005	MDR RE005	00275
	Mauve	MDL RE015	MDR RE015	RE011
	Mink	MDL 70209	MDR 70209	80204
	Ocean	MDL BL014	MDR BL014	80001
	Sand	MDL 70247	MDR 70247	80204
	Whisper	MDL 70200	MDR 70200	00110
Divine	Ash	MIL PR009	MIR PR009	80166
	Cloud	MIL PR008	MIR PR008	00110
	Flax	MIL PR007	MIR PR007	80204
Fantasia	Coral	MNL PR034	MNR PR034	00292
	Deep Sea	MNL PR033	MNR PR033	GY051
	Sandcastle	MNL PR035	MNR PR035	80120
Flourish	Celeste	MUL PA010	MUR PA010	50002
	Ivory	MUL PA008	MUR PA008	80012
	Mink	MUL PA011	MUR PA011	70152
	Navy	MUL PA012	MUR PA012	70134
	Sand	MUL PA009	MUR PA009	80204
	Spring Mist	MUL PA013	MUR PA013	80001
Forre	Beige	MFL BE027	MFR BE027	80012
	Black	MFL BK011	MFR BK011	70147
	Burgundy	MFL RE018	MFR RE018	00275
	Dark Gray	MFL GY065	MFR GY065	70147
	Denim	MFL BL019	MFR BL019	GY051
	Taupe	MFL BE028	MFR BE028	80204
	Turquoise	MFL GE013	MFR GE013	80001
	Warm Gray	MFL GY064	MFR GY064	70800
	White	MFL WH065	MFR WH065	00110

FABRICS				
Collection	Color	Light Filtering	Room Darkening	Hardware Color
Heathered	Gray Moss	MHL MT031	MHR MT031	50002
	Sand	MHL MT018	MHR MT018	80012
	Seaglass	MHL BL008	MHR BL008	80166
	Stone	MHL MT032	MHR MT032	50002
	Whisper	MHL MT021	MHR MT021	00110
Kingston	Antarctica	MKL WH059	MKR WH059	80166
	Doe	MKL BE019	MKR BE019	80204
	Jade	MKL GE010	MKR GE010	80001
	Prosecco	MKL WH058	MKR WH058	80012
	Quiet Shade	MKL GY052	MKR GY052	70800
Leo	Black	MEL BK002	MER BK002	70147
	Champagne	MEL YW004	MER YW004	70804
	Charcoal	MEL GY029	MER GY029	70147
	Cream	MEL WH034	MER WH034	80012
	Sand	MEL BE010	MER BE010	80204
	Silver	MEL WH070	MER WH070	50002
Meridian	Alabaster	MML WH069	MMR WH069	80166
	Light Fog	MML GY063	MMR GY063	50002
	Mink	MML BE026	MMR BE026	80120
	Navy	MML BL020	MMR BL020	80310
Orion	Brick	MOL RE017	MOR RE017	70152
	Chambray	MOL BL018	MOR BL018	70134
	Graphite	MOL GY062	MOR GY062	50002
	Moss	MOL GE012	MOR GE012	80012
	Sand	MOL BE025	MOR BE025	80204
	Whisper	MOL WH064	MOR WH064	00110
Seclusions	Angel Wing	MSL RE013	MSR RE013	RE011
	Arona	MSL GY053	MSR GY053	80001
	Biscuit	MSL 35024	MSR 35024	80204
	Champagne	MSL 35026	MSR 35026	70800
	Fig	MSL RE012	MSR RE012	00275
	Gull Gray	MSL GY054	MSR GY054	50002
	Light Gray	MSL 35027	MSR 35027	80166
	Mocha	MSL 35025	MSR 35025	70152
	Quiet Shade	MSL GY055	MSR GY055	70134
	White	MSL 35021	MSR 35021	00110
Toronto	Antique Gold	MTL GE011	N/A	70114
	Cinnamon	MTL BR040	N/A	70152
	Denim	MTL BL018	N/A	GY051
	Fog	MTL GY060	N/A	80120
	Natural	MTL WH063	N/A	80012
	Stone	MTL GY061	N/A	70800

Roman Shades Fabric Index

FABRICS				
Collection	Color	Light Filtering	Room Darkening	Hardware Color
Valour	Flint	MVL PR027	MVR PR027	80012
	Iron	MVL PR029	MVR PR029	80012
	Slate	MVL PR028	MVR PR028	80012
Waltz	Graphite	MZL PR037	MZR PR037	80012
	Sage	MZL PR036	MZR PR036	80012
	Sand Dollar	MZL PR038	MZR PR038	80204
Windsor	Chocolate	MWL BE023	MWR BE023	70152
	Cream	MWL WH061	MWR WH061	80012
	Gray	MWL GY058	MWR GY058	50002
	Mink	MWL BE021	MWR BE021	80204
	Oatmeal	MWL BE022	MWR BE022	80204
	Rain	MWL BL016	MWR BL016	70134
	Toasted Coconut	MWL YW010	MWR YW010	80204

FABRICS - SEMI-SHEER			
Collection	Color	Semi-Sheer	Hardware Color
Lemongrass Stripe	Champagne	MLN 33337	80012
	Cream	MLN 33336	80012
	Light Gray	MLN 33339	80001
	Mocha	MLN 33338	80204
	White	MLN WH028	80012
Tweed Rattan	Blue	MRN BL009	70134
	Champagne	MRN 33341	80012
	Cinnamon	MRN 33342	80120
	Latte	MRN 33345	70152
	Mocha	MRN 33343	70152

Roman Shades Color Coordination Guide

Coordinating hardware colors are pre-selected based on fabric color. The color samples below represent headrail, bottom rail, end cap, and tassel colors. The Fabric Index charts match each fabric to a hardware component based on color coordination.



NOTE: The actual color of the hardware may vary from the samples in the color coordination guide.

Color lot variations may occur with fabric and/or hardware due to the process of color application. For the best color match, order all shades for a room at the same time. Pattern availability and color lot matching between orders cannot be assured.

Roman Shades Size Charts

SIZE STANDARDS Maximum Height Per Width		MOTORIZED							
Width To:		Up to 54"	60"	66"	72"	78"	84"	96"	
Forre, Kingston, Toronto									
Flat Fold		120"	108"	96"	90"	78"	N/A	N/A	
Soft Fold		102"	96"	90"	78"	72"	N/A	N/A	
Fantasia, Flourish, Meridian, Orion, Waltz									
Flat Fold		120"	120"	108"	96"	84"	N/A	N/A	
Soft Fold		102"	102"	96"	90"	78"	N/A	N/A	
Lemongrass Stripe, Tweed Rattan									
Flat Fold		120"	120"	108"	96"	N/A	N/A	N/A	
Soft Fold		102"	102"	96"	90"	N/A	N/A	N/A	
Atlas, Designer Textures, Divine, Heathered, Leo, Seclusions, Valour, Windsor									
Flat Fold		120"	120"	108"	96"	84"	84"	72"	
Soft Fold		102"	102"	96"	90"	78"	78"	66"	
SIZE MINIMUMS		Minimum Width: 20"							
		Minimum Height: 18"							
NOTE: 2-on-1 headrail is not available with Motorized shades. Motorization configuration dependent on fabric type and shade size.									

SIZE STANDARDS Maximum Height Per Width		CORDLESS									
Width To:		Up to 28"	42"	48"	54"	60"	66"	72"	78"	84"	96"
Forre, Kingston, Toronto											
Flat Fold		76"	78"	78"	78"	78"	78"	78"	78"	N/A	N/A
Soft Fold		76"	78"	78"	78"	78"	78"	78"	72"	N/A	N/A
Fantasia, Flourish, Meridian, Orion, Waltz											
Flat Fold		76"	78"	78"	78"	78"	78"	78"	78"	N/A	N/A
Soft Fold		76"	78"	78"	78"	78"	78"	78"	78"	N/A	N/A
Lemongrass Stripe, Tweed Rattan											
Flat Fold		76"	78"	78"	78"	78"	78"	78"	N/A	N/A	N/A
Soft Fold		76"	78"	78"	78"	78"	78"	78"	N/A	N/A	N/A
Atlas, Designer Textures, Divine, Heathered, Leo, Seclusions, Valour, Windsor											
Flat Fold		76"	78"	78"	78"	78"	78"	78"	78"	78"	78"
Soft Fold		76"	78"	78"	78"	78"	78"	78"	78"	78"	N/A
SIZE MINIMUMS		Minimum Width: 18"									
		Minimum Height: 18"									
NOTE: 2-on-1 Headrail: Maximum width is 120"; per panel minimum and maximum widths and heights are the same as single panel shades.											

Roman Shades Size Charts

SIZE STANDARDS Maximum Height Per Width		CORD LOOP									
Width To:		Up to 28"	42"	48"	54"	60"	66"	72"	78"	84"	96"
Forre, Kingston, Toronto											
Flat Fold		90"	90"	90"	90"	90"	90"	90"	90"	N/A	N/A
Soft Fold		90"	90"	90"	90"	90"	90"	90"	N/A	N/A	N/A
Fantasia, Flourish, Meridian, Orion, Waltz											
Flat Fold		90"	90"	90"	90"	90"	90"	90"	90"	N/A	N/A
Soft Fold		90"	90"	90"	90"	90"	90"	90"	N/A	N/A	N/A
Lemongrass Stripe, Tweed Rattan											
Flat Fold		90"	90"	90"	90"	90"	90"	90"	N/A	N/A	N/A
Soft Fold		90"	90"	90"	90"	90"	90"	90"	N/A	N/A	N/A
Atlas, Designer Textures, Divine, Heathered, Leo, Seclusions, Valour, Windsor											
Flat Fold		90"	90"	90"	90"	90"	90"	90"	90"	90"	90"
Soft Fold		90"	90"	90"	90"	90"	90"	90"	N/A	N/A	N/A
SIZE MINIMUMS		Minimum Width: 21" ; 2-on-1: 42"									
		Minimum Height: 18"									
NOTE: 2-on-1 Headrail: Maximum width is 144"; per panel minimum and maximum widths and heights are the same as single panel shades.											

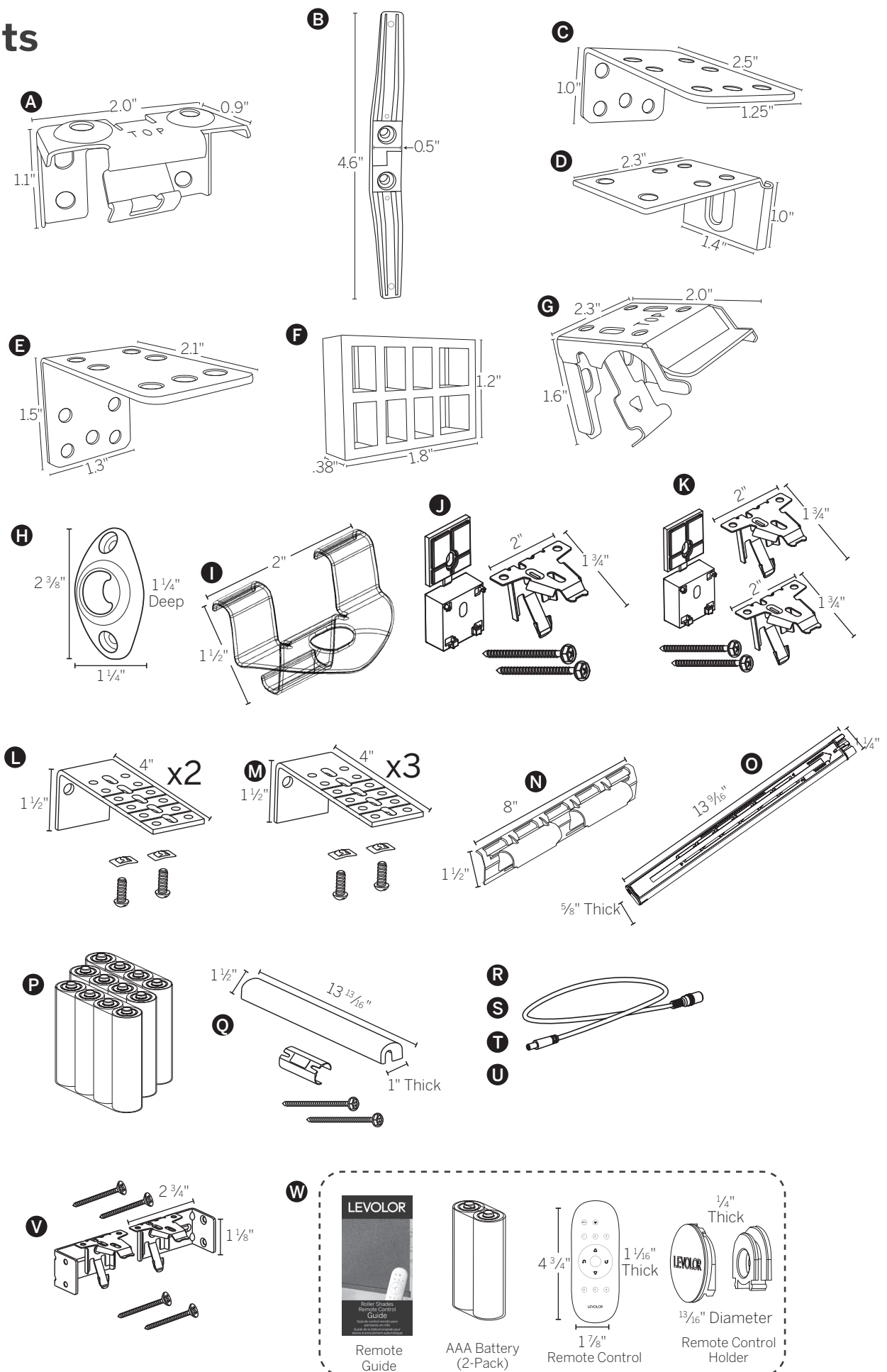
SIZE STANDARDS Maximum Height Per Width		CORDED & CORDED TOP-DOWN/BOTTOM-UP									
Width To:		Up to 28"	42"	48"	54"	60"	66"	72"	78"	84"	96"
Forre, Kingston, Toronto											
Flat Fold		120"	120"	120"	120"	120"	120"	120"	102"	N/A	N/A
Soft Fold		102"	102"	102"	102"	102"	102"	102"	96"	N/A	N/A
Fantasia, Flourish, Meridian, Orion, Waltz											
Flat Fold		120"	120"	120"	120"	120"	120"	120"	120"	N/A	N/A
Soft Fold		102"	102"	102"	102"	102"	102"	102"	102"	N/A	N/A
Lemongrass Stripe, Tweed Rattan											
Flat Fold		120"	120"	120"	120"	120"	120"	120"	N/A	N/A	N/A
Soft Fold		102"	102"	102"	102"	102"	102"	102"	N/A	N/A	N/A
Atlas, Designer Textures, Divine, Heathered, Leo, Seclusions, Valour, Windsor											
Flat Fold		120"	120"	120"	120"	120"	120"	120"	120"	120"	102"
Soft Fold		102"	102"	102"	102"	102"	102"	102"	102"	102"	90"
SIZE MINIMUMS		Minimum Width: 17" ; 2-on-1: 34.5"									
		Minimum Height: 18"									
NOTE: 2-on-1 Headrail: Maximum width is 144" ; per panel minimum and maximum widths and heights are the same as single panel shades. 2-on-1 Headrail not available in corded Top-Down/Bottom-Up.											

Roman Shades Size Charts

SIZE STANDARDS Maximum Height Per Width		CORDLESS TOP-DOWN/BOTTOM-UP				
Width To:	Up to 28"	42"	48"	54"	60"	
Forre, Kingston, Toronto						
Flat Fold	76"	78"	78"	78"	78"	
Soft Fold	76"	78"	78"	60"	N/A	
Lemongrass Stripe, Tweed Rattan						
Flat Fold	76"	78"	78"	78"	78"	
Soft Fold	76"	78"	78"	78"	72"	
Atlas, Divine, Fantasia, Flourish, Leo, Orion, Seclusions, Valour, Waltz						
Flat Fold	76"	78"	78"	78"	78"	
Soft Fold	76"	78"	78"	60"	60"	
Designer Textures, Heathered, Meridian, Windsor						
Flat Fold	76"	78"	78"	78"	78"	
Soft Fold	76"	78"	78"	78"	78"	
SIZE MINIMUMS	Minimum Width: 27.5"					
	Minimum Height: 18"					
NOTE: 2-on-1 Headrail: Maximum width is 120"; per panel minimum and maximum widths and heights are the same as single panel shades.						

Roman Shades Parts & Components

CORDED		COMPONENT PART NUMBER
A	Installation Brackets 2 PK	HFPK0012
B	Cord Cleat	1921947
C & D	2 Part Extension Brackets Extends out 1" to 1.5" or 2.5" to 3"	HBEX0002 & HBEX0001
E & D	2 Part Extension Brackets Extends out 1.5" to 2.5"	HBEX0003 & HBEX0001
F	3/8" Spacer Block	W02E0000
CORD LOOP		COMPONENT PART NUMBER
G	Installation Bracket Kit	HFPK0027
H	Tension device	1861145
C & D	2 Part Extension Brackets Extends out 1" to 1.5" or 2.5" to 3"	HBEX0002 & HBEX0001
E & D	2 Part Extension Brackets Extends out 1.5" to 2.5"	HBEX0003 & HBEX0001
F	3/8" Spacer Block	W02E0000
CORDLESS		COMPONENT PART NUMBER
G	Installation Bracket Kit	HFPK0027
I	Clear Plastic Handle	1858599
C & D	2 Part Extension Brackets Extends out 1" to 1.5" or 2.5" to 3"	HBEX0002 & HBEX0001
E & D	2 Part Extension Brackets Extends out 1.5" to 2.5"	HBEX0003 & HBEX0001
F	3/8" Spacer Block	W02E0000
MOTORIZED		COMPONENT PART NUMBER
J	Kit Bracket 3/8 - 3/4 Gen3 w/ Spacer (2)	KIT2760
K	Kit Bracket 3/8 - 3/4 Gen3 w/ Spacer (3)	KIT2761
L	Extension Bracket 2-Pack	KIT2013
M	Extension Bracket 3-Pack	KIT2014
N	Battery Wand Clip Nxd High Mt	2920539000
O	Battery Wand 18V Empty	7520064000
P	Kit Pr AA Battery Pack 12	KIT2529
Q	Kit Wall Brkt Battery Cover w/Screws 18V	KIT2791
R	Cable Assy 15'	2989899000
S	Cable Assy 4'	2989900000
T	Cable Assy 10'	2989901000
U	Cable Assy 20'	2989902000
V	Kit Bracket End Mount Gen3 3/8 - 3/4	KIT2762
W	Full Remote Kit - 6 Button	1002781



Roman Shades Cleaning & Care

Care Instructions

A brush-type vacuum attachment or feather duster should be used for cleaning. If your shade should become stained, you may clean it by dabbing the spot with a sponge dampened with lukewarm water. Avoid contact with window cleaning products as these may discolor your shade. Ultrasonic cleaning is not recommended or covered by our warranty.

Color Variation

Color lot variations may occur due to the process of color application. For the best color match, order all shades for a room at the same time. Pattern availability and color lot matching between orders cannot be assured. Any variation in color is in accordance with industry standards. There may be slight differences between light filtering and room darkening colors.

NOTE: Improper cleaning may void warranty.



Dusting

Use a feather duster for regular cleaning.



Vacuuming

Use a low-suction vacuum with a brush-type cleaner attachment; stroke lightly over the shade to clean.



Forced Air

Blow away dirt and debris using clean, compressed air.



Spot-Cleaning/Stain Removal at Home

Use warm water and a mild soap, like Woolite® or Scotchgard®, if needed.



Professional Injection/Extraction Cleaning

Call local on-site blind/shade cleaner that injects a cleaning solution into the fabric and extracts the dirty solution at the same time. The service is typically performed at home so you do not need to remove your window treatments.

The following information is available online at [LEVOLOR.com](https://www.levolor.com)

- Terms and Conditions
- Order Processing
- Freight
- Claims and Returns
- Warning and Safety Information
- Warranty

Natural Shades

Lift Control

Corded



- Raise and lower shade with pull cords.

Cord Loop



- Perfect for large windows.
- Eliminates dangling cords.
- Cords remain the same length regardless of shade position.

Cordless



- Offers a clean, finished profile across all your windows without dangling cords.

Motorized



- Raise and lower shade via remote control or app.

Lift Style



Bottom-Up

- Standard operation; shade raises and lowers from the bottom.



Top-Down/Bottom-Up

- The shade can be lowered from the top and raised from the bottom.
- Separate controls on each side of the shade control the rails independently.
- The shade is measured in the same way as a standard shade.
- Only available with Classic Valance or Wood Valance.

NOTE: Only available in corded. Right controls lift from bottom; left controls lower from top. Control positions cannot be changed. Not available with 2-on-1 headrail.

Natural Shades

Valance Style

None



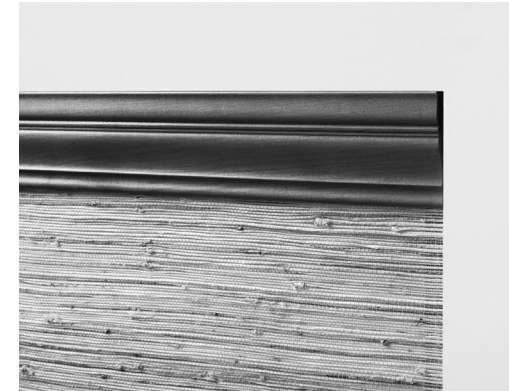
- Provides a clean look. Fabric is one panel and begins at the top of the window.
- Available on Cordless and Cord Loop shades.

Classic



- Traditional, matching fabric valance.
- Available on single and multiple shades per headrail and on all Motorized, Cordless, Cord Loop, and Corded shades.

Wood



- Decorative wood to coordinate with window trim.
- Available on single and multiple shades per headrail and on all Motorized, Cordless, Cord Loop, and Corded shades.

Edge Binding

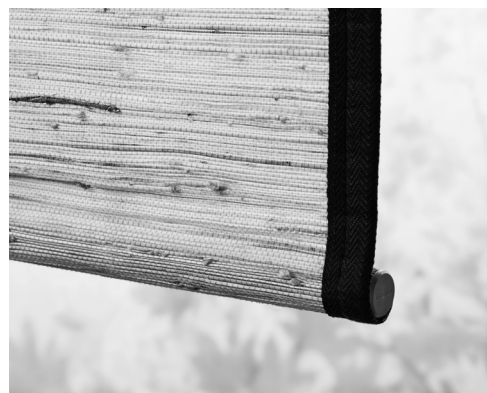
Edge Binding adds a decorative, colored fabric accent to the shade for a more finished look. It is recommended to use 1" Edge Binding for window widths less than 36" and 2" Edge Binding for window widths greater than 36". Edge Binding available in Black, White, Almond, Camel, Cocoa, Copper, Gris, and Khaki.

NOTE: Only available if shade width is greater than 16".

For Cordless shades, Edge Binding will only be applied down the sides of the shade and Classic Valance (if selected).

No Bottom Bar or Hold-Down Brackets available.

1 inch – Ideal for smaller windows



2 inch – Ideal for larger windows



Natural Shades Product Specifications & Critical Dimensions

Use technical information listed below to assist in product selection.

OPERATING SYSTEM & SHADE FUNCTION COMBINATIONS					
Shade Type	Shade Function	Operating System			
		Corded	Cord Loop	Cordless	Motorized
Single Shade	Bottom-Up	✓	✓	✓	✓
	Top-Down/ Bottom-Up	✓	N/A	N/A	N/A
2-on-1	Bottom-Up	✓	✓	✓	N/A
	Top-Down/ Bottom-Up	N/A	N/A	N/A	N/A

STANDARD FACTORY DEDUCTIONS		
DO NOT make any deductions to your measurements.		
	Inside Mount	Outside Mount
Corded Bottom-Up	1/2"	0"
Corded Top-Down/Bottom-Up	1/2"	0"
Cord Loop	1/2"	0"
Cordless	1/2"	0"
Motorization	3/8"	0"

HEADRAIL & BOTTOM RAIL DIMENSIONS				
NOTE: Reference Minimum Depth Requirements chart for required depths needed for proper installation.				
Operating System	Headrail Dimensions		Bottom Rail Dimensions	
	Depth	Height	Depth	Height
Motorized	2"	1 1/4"	5/8"	5/8"
All Other (Corded, Cord Loop, Cordless)	1 1/2"	1"	5/8"	5/8"

LIGHT GAPS (Fabric width is narrower than the finished shade)		
	Light Gaps Per Side	
Operating System	Inside Mount	Outside Mount
Motorized	3/16"	0"
All Other Operating Systems	1/4"	0"

INSTALLATION BRACKETS			
Your order will include the correct number of installation brackets for your shade width, as shown in the table below.			
Shade Width	Number of Brackets		
	Corded	Cord Loop	Cordless
0" - 48"	2	2	2
48" - 122"	3	3	3
122" - 144"	4	4	4

INSTALLATION BRACKETS	
	Number of Brackets
Shade Width	Motorized
0" - 36"	2
36" - 72"	3
72" - 96"	4

CORD LOOP CORD LENGTHS	
Cord Loop length is made to 3/4 the length of the shade. The control lengths for cord loops may be changed from default lengths. Please refer to retail ordering system for details.	
CORDED SHADE CORD LENGTHS	
Default cord length is 2/5 the length of the shade. The control lengths for cords may be changed from default lengths. Please refer to retail ordering system for details.	

STACKING CHART								
Height	36"	48"	60"	72"	84"	96"	108"	120"
All Operating Systems	8"	9"	10"	11"	12"	13"	14"	15"

Natural Shades Product Specifications & Critical Dimensions

Use technical information listed below to assist in product selection.

LIFT CONTROL OPERATION & OPTIONS					
Shade Type	Shade Function	Operating System			
		Corded	Cord Loop	Cordless	Motorized
Single Shade	Bottom-Up	Left or right control	Left or right control	Bottom rail/pull tassel operates shade	Right control only
	Top-Down/Bottom-Up	Left control operates middle rail; right control operates bottom rail	N/A	N/A	N/A
2-on-1	Bottom-Up	Left control operates left shade; right control operates right shade	Left control operates left shade; right control operates right shade	Bottom rail/pull tassel operates left and right shade	N/A
	Top-Down/Bottom-Up	N/A	N/A	N/A	N/A

SINGLE SHADE CRITICAL DIMENSIONS				
NOTE: Some fabric limitations may apply.				
Corded Bottom-Up	Min Width	Max Width	Min Length	Max Length
Inside Mount	10"	96"	12"	120"
Outside Mount	10"	96"	12"	120"
Corded Top-Down/Bottom-Up	Min Width	Max Width	Min Length	Max Length
Inside Mount	16"	66"	12"	84"
Outside Mount	16"	66"	12"	84"
Cord Loop	Min Width	Max Width	Min Length	Max Length
Inside Mount	21"	96"	18"	96"
Outside Mount	21"	96"	18"	96"
Cordless Bottom-Up	Min Width	Max Width	Min Length	Max Length
Inside Mount	18"	72"	24"	72"
Outside Mount	18"	72"	24"	72"
Motorized	Min Width	Max Width	Min Length	Max Length
Inside Mount	19.5"	96"	24"	120"
Outside Mount	19.5"	96"	24"	120"

2-ON-1 CRITICAL DIMENSIONS				
NOTE: Some fabric limitations may apply.				
Corded Bottom-Up	Min Width	Max Width	Min Length	Max Length
Inside Mount	21"	144"	18"	120"
Outside Mount	21"	144"	18"	120"
Cord Loop	Min Width	Max Width	Min Length	Max Length
Inside Mount	36.5"	144"	18"	96"
Outside Mount	36.5"	144"	18"	96"
Cordless Bottom-Up	Min Width	Max Width	Min Length	Max Length
Inside Mount	36.5"	144"	24"	72"
Outside Mount	36.5"	144"	24"	72"

MOUNTING DEPTHS REQUIREMENTS					
	Corded/Cord Loop/Cordless			Motorized - Standard Battery	Motorized - Satellite Battery
	No Valance	Classic Valance	Wood Valance		
Minimum Installation Depth	1 1/2"	1 1/2"	1 1/2"	2"	1 1/4"
Flush Mount Installation Depth*	2"	2"	2"	3"	2 1/4"
Maximum Fabric Width Deduction	1/4"	1/4"	1/4"	3/8"	3/8"
Width Tolerance	+ - 1/8"	+ - 1/8"	+ - 1/8"	+ - 1/8"	+ - 1/8"
Height Tolerance	+1" -0"	+1" -0"	+1" -0"	-1/8" +1/4"	-1/8" +1/4"
Valance Height	N/A	6"	3"	6"	6"
Extension Bracket Projection	3"	3"	3"	1" - 4" adjustable	1" - 4" adjustable

*Minimum surface area needed to mount the product flush with the window frame.

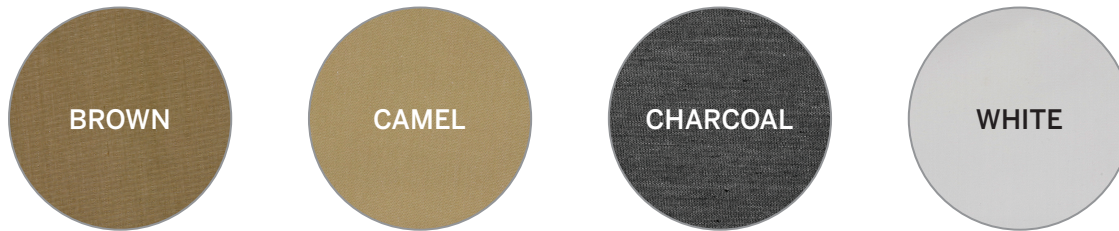
Natural Shades Fabric Index

FABRICS							
Collection	Color	No Liner	Light Filtering	Room Darkening	Wood Valance/Tassel Finish	Liner Color	Bead Chain Color
Arbor	Ash	WAN NW010	WAL NW010	WAR NW010	Gray	Brown	Antique Brass
	Charcoal	WAN NW012	WAL NW012	WAR NW012	Gray	Charcoal	Antique Brass
	Eggshell	WAN NW011	WAL NW011	WAR NW011	Sand n Beech	Camel	Antique Brass
	Willow	WAN NW013	WAL NW013	WAR NW013	Gray	White	Aged Pewter
Aurora	Autumn	WUN NW019	WUL NW019	WUR NW019	Chestnut	Camel	Aged Copper
	Coconut	WUN NW018	WUL NW018	WUR NW018	Sand n Beech	White	Antique Brass
Bamboo Essence	Origami	WBN 81961	WBL 81961	WBR 81961	Golden Oak	Camel	Antique Brass
	Seashell	WBN NW022	WBL NW022	WBR NW022	Dover	White	Antique Brass
	Shibori	WBN 81960	WBL 81960	WBR 81960	Chestnut	Brown	Aged Copper
	Tatami	WBN 81959	WBL 81959	WBR 81959	Golden Oak	Camel	Antique Brass
Bay Weave	Blue Jay	WYN NW021	WYL NW021	WYR NW021	Gray	Camel	Aged Pewter
	Gray	WYN 81914	WYL 81914	WYR 81914	Gray	Camel	Aged Pewter
	Pretzel	WYN NW020	WYL NW020	WYR NW020	Golden Oak	Camel	Aged Copper
	White	WYN NW004	WYL NW004	WYR NW004	Dover	White	Antique Brass
Citiscap	Espresso	WCN 81924	WCL 81924	WCR 81924	Chestnut	Brown	Aged Copper
Echo	Olive	WEN NW015	WEL NW015	WER NW015	Gray	Brown	Antique Brass
Harbor Ford	Brown	WHN NW007	WHL NW007	WHR NW007	Chestnut	Brown	Aged Copper
Harvest	Luna	WRN NW008	WRL NW008	WRR NW008	Gray	White	Aged Pewter
	Sage	WRN NW009	WRL NW009	WRR NW009	Gray	Brown	Antique Brass
Horizon	Cloud	WZN NW014	WZL NW014	WZR NW014	Dover	White	Aged Pewter
Java	Cappuccino	WJN NW025	WJL NW025	WJR NW025	Chestnut	Brown	Antique Brass
	Coffee Bean	WJN NW024	WJL NW024	WJR NW024	Black	Charcoal	Antique Brass
Meadow	Chestnut	WMN NW028	WML NW028	WMR NW028	Gray	Charcoal	Antique Brass
	Sandy Brown	WMN NW027	WML NW027	WMR NW027	Chestnut	Brown	Antique Brass
	Vanilla Bean	WMN NW029	WML NW029	WMR NW029	Sand n Beech	Camel	Antique Brass
Seagrass	Gray	WGN 81917	WGL 81917	WGR 81917	Chestnut	Camel	Antique Brass
	Sand	WGN NW001	WGL NW001	WGR NW001	Golden Oak	Camel	Antique Brass
	Tan	WGN NW002	WGL NW002	WGR NW002	Golden Oak	Camel	Antique Brass
Sisal Twist	Banana Leaf	WSN 81928	WSL 81928	WSR 81928	Sand n Beech	Camel	Antique Brass
	Pecanwood	WSN 81926	WSL 81926	WSR 81926	Golden Oak	Camel	Antique Brass
	Rum Raisin	WSN 81927	WSL 81927	WSR 81927	Chestnut	Brown	Aged Copper
Spa Cove	Chocolate	WPN 81912	WPL 81912	WPR 81912	Chestnut	Brown	Aged Copper
	Tan	WPN 81911	WPL 81911	WPR 81911	Golden Oak	Camel	Antique Brass
Thrive	Marshmallow	WTN NW016	WTL NW016	WTR NW016	Dover	White	Antique Brass
	Stone	WTN NW017	WTL NW017	WTR NW017	Gray	Charcoal	Aged Pewter
Tranquility	Macadamia Nut	WQN NW026	WQL NW026	WQR NW026	Sand n Beech	Camel	Antique Brass

Natural Shades Color Coordination Guide

Coordinating light control liners and component colors are pre-selected based on fabric color. All liners are neutral to the street, and the liner color will be facing to the fabric.

Liners



Wood/Tassel Finish



Bead Chain



NOTE: The actual color of the hardware may vary from the samples in the color coordination guide.

Color lot variations may occur with fabric and/or hardware due to the process of color application. For the best color match, order all shades for a room at the same time. Pattern availability and color lot matching between orders cannot be assured.

Natural Shades Size Charts

SIZE STANDARDS Maximum Height Per Width	MOTORIZED									
	Width To:	Up to 36"	42"	48"	54"	60"	66"	72"	84"	96"
Aurora, Echo, Horizon, Java, Meadow, Thrive, Tranquility	120"	120"	120"	120"	120"	120"	108"	108"	90"	78"
Citiscapc, Seagrass	120"	120"	120"	120"	120"	108"	96"	90"	72"	66"
Arbor, Bay Weave, Harvest	120"	120"	108"	96"	84"	78"	72"	60"	54"	
Harbor Ford, Spa Cove	108"	96"	84"	72"	66"	60"	54"	48"	36"	
No Liner: Bamboo Essence, Sisal Twist	108"	96"	84"	72"	66"	60"	54"	42"	36"	
Light Filtering: Bamboo Essence, Sisal Twist	96"	90"	78"	66"	60"	54"	48"	42"	36"	
Room Darkening: Bamboo Essence, Sisal Twist	90"	78"	66"	60"	54"	48"	42"	36"	N/A	
SIZE MINIMUMS	Minimum Width: 19.5"									
	Minimum Height: 24"									

NOTE: 2-on-1 headrail is not available with Motorized shades. Motorization configuration dependent on fabric type and shade size.

SIZE STANDARDS Maximum Height Per Width	CORDLESS							
	Width To:	Up to 36"	42"	48"	54"	60"	66"	72"
Room Darkening: Bamboo Essence, Sisal Twist	72"	72"	72"	72"	72"	72"	66"	60"
All Other Fabrics	72"	72"	72"	72"	72"	72"	72"	72"
SIZE MINIMUMS	Minimum Width: 18"							
	Minimum Height: 24" for shades greater than 21" wide. 36" for shades less than 21" wide.							

NOTE: 2-on-1 Headrail: Maximum width is 144"; per panel minimum and maximum widths and heights are the same as single panel shades.

SIZE STANDARDS Maximum Height Per Width	CORD LOOP									
	Width To:	Up to 36"	42"	48"	54"	60"	66"	72"	84"	96"
All Fabrics	96"	96"	96"	96"	84"	78"	72"	60"	54"	
SIZE MINIMUMS	Minimum Width: 21"									
	Minimum Height: 18"									

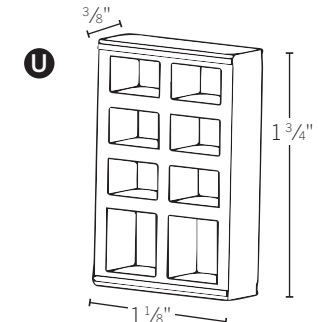
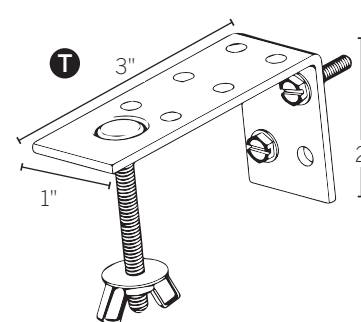
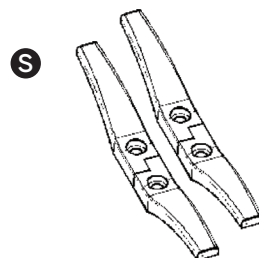
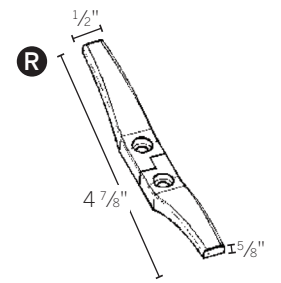
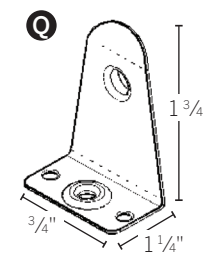
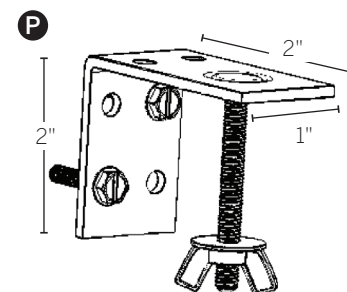
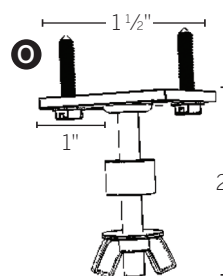
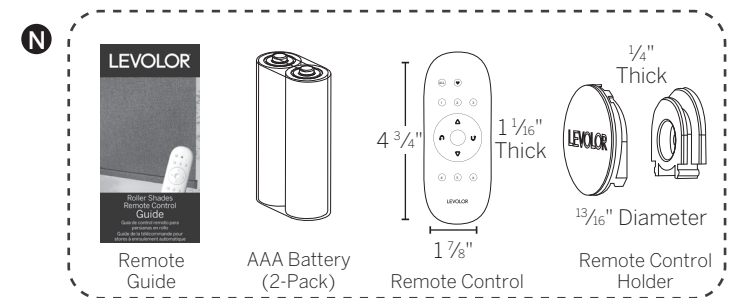
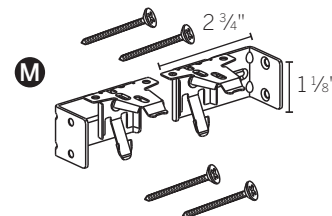
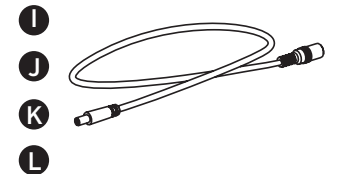
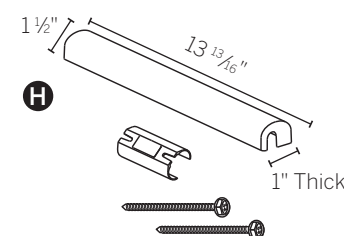
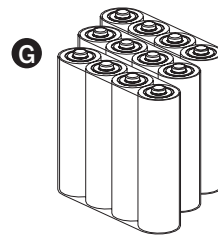
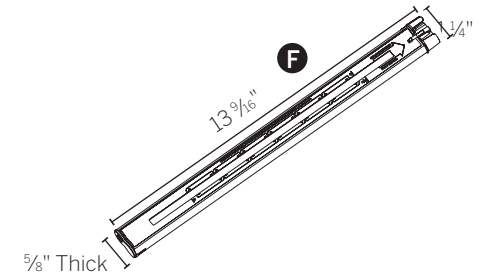
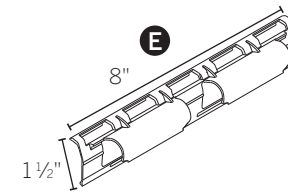
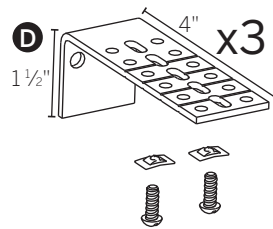
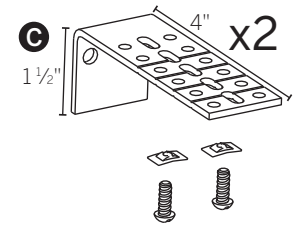
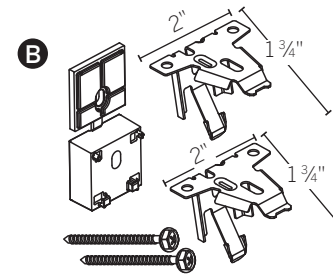
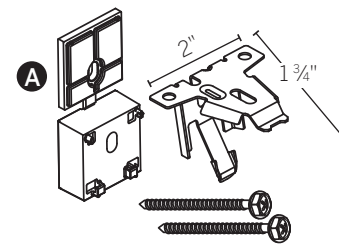
NOTE: 2-on-1 Headrail: Maximum width is 144"; per panel minimum and maximum widths and heights are the same as single panel shades.

SIZE STANDARDS Maximum Height Per Width	CORDED									
	Width To:	Up to 36"	42"	48"	54"	60"	66"	72"	84"	96"
Aurora, Echo, Horizon, Java, Meadow, Thrive, Tranquility	120"	120"	120"	120"	120"	120"	120"	120"	120"	120"
Citiscapc, Seagrass	120"	120"	120"	120"	120"	120"	120"	120"	102"	102"
Arbor, Bay Weave, Harvest	120"	120"	120"	120"	120"	120"	108"	72"	72"	
Harbor Ford, Spa Cove	120"	120"	120"	102"	102"	72"	72"	72"	60"	
No Liner: Bamboo Essence, Sisal Twist	120"	120"	120"	108"	96"	84"	84"	66"	60"	
Light Filtering: Bamboo Essence, Sisal Twist	120"	120"	120"	102"	96"	84"	72"	66"	54"	
Room Darkening: Bamboo Essence, Sisal Twist	120"	120"	84"	84"	84"	66"	66"	60"	48"	
SIZE MINIMUMS	Minimum Width: 10"									
	Minimum Height: 12"									

NOTE: 2-on-1 Headrail: Maximum width is 144"; per panel minimum and maximum widths and heights are the same as single panel shades.

Natural Shades Parts & Components

MOTORIZED		COMPONENT PART NUMBER
A	Kit Bracket $\frac{3}{8}$ - $\frac{3}{4}$ Gen3 w/ Spacer (2)	KIT2760
B	Kit Bracket $\frac{3}{8}$ - $\frac{3}{4}$ Gen3 w/ Spacer (3)	KIT2761
C	Extension Bracket 2-Pack	KIT2013
D	Extension Bracket 3-Pack	KIT2014
E	Battery Wand Clip Nxg High Mt	2920539000
F	Battery Wand 18V Empty	7520064000
G	Kit Pr AA Battery Pack 12	KIT2529
H	Kit Wall Brkt Battery Cover w/Screws 18V	KIT2791
I	Cable Assy 15'	2989899000
J	Cable Assy 4'	2989900000
K	Cable Assy 10'	2989901000
L	Cable Assy 20'	2989902000
M	Kit Bracket End Mount Gen3 $\frac{3}{8}$ - $\frac{3}{4}$	KIT2762
N	Full Remote Kit - 6 Button	1002781
ALL OTHER OPERATING SYSTEMS		COMPONENT PART NUMBER
O	Installation Brackets, Inside Mount	DRL00016
P	Installation Brackets, Outside Mount	DRLO0014
Q	Hold Down Brackets	DRL01050
R	Cord Cleat, 2 Piece	1921947
S	Cord Cleat, 4 Piece	1921948
T	Extension Bracket	DRL00017
U	Bracket Spacer	W02E000000010



Natural Shades Cleaning & Care

Care Instructions

Periodically vacuum with a brush attachment to ensure lasting beauty. With proper care and maintenance, Natural Shades should last for years. Do not use water, solvents, or abrasive solutions to clean the shade.

Color Variation

LEVOLOR Natural Shades are created using natural products. By nature, no two strands of grass, bamboo, or reeds are exactly the same, making every shade truly unique. Slight color, grain, and texture variations should be expected and cherished for their unique beauty.

Stretching and Shrinking

Natural woven fabric will be affected by temperature and humidity. Shipping and handling may cause a slight change in shade lengths and slight shrinkage, stretching, and warping may occur over time.

NOTE: Material stretching may be more noticeable on inside mounts.
Improper cleaning may void warranty.



Dusting

Use a feather duster for regular cleaning.



Vacuuming

Use a low-suction vacuum with a brush-type cleaner attachment; stroke lightly over the shade to clean.



Forced Air

Blow away dirt and debris using clean, compressed air.

The following information is available online at [LEVOLOR.com](https://www.levolor.com)

- Terms and Conditions
- Order Processing
- Freight
- Claims and Returns
- Warning and Safety Information
- Warranty

