

## Table of Contents

<b>Features</b>	
Features and Benefits . . . . .	2-3
Fabric Styles and Information: Roller Shade Fabrics . . . . .	4
Light Control and Privacy: Roller Shade Fabrics . . . . .	5
Solar and Roller Shades, Fabric Certifications . . . . .	6
Fabric Styles and Information: Solar Shade Fabrics . . . . .	7-8
Fabric Recommendations, Fabric Disclaimers, Fabric Width, Light Gap, Large Window Sizing Pattern Alignment, Cleaning and Care Information . . . . .	9
<b>Size Considerations</b>	
Maximum Shade Size . . . . .	10
Roller Shade EasyTouch Cordless Lift, EasyTouch Dual Lift, and Enclosed Loop EasyTouch Dual Lift: Maximum Shade Size . . . . .	11-15
Minimum Shade Size . . . . .	16-18
Dual Shades or Enclosed Loop Dual Shades: Maximum Shade Size . . . . .	19-21
Cordless Lift and Smart Pull Lift: Maximum Shade Size . . . . .	22-24
Enclosed Loop, Continuous-Loop, Motorized Lift, Dual Shade, and Enclosed Loop Dual Shade: Mounting Depth Illustrations, Cordless Lift and Smart Pull Lift: Mounting Depth Illustrations . . . . .	25
EasyTouch Cordless Lift, EasyTouch Dual Lift, and Enclosed Loop EasyTouch Dual Lift: Mounting Depth Illustrations Control Lengths for Enclosed Loop Lift Cover . . . . .	26
<b>Options</b>	
Shade Options , Reverse Roll, Projection Brackets . . . . .	27
EasyTouch Cordless Lift, Enclosed Loop EasyTouch Dual Lift (Canada ONLY) . . . . .	28
EasyTouch Dual Lift (U.S. ONLY), Cordless Lift . . . . .	29
Enclosed Loop Lift (Canada ONLY), Continuous-Loop Lift (U.S. ONLY) . . . . .	30
Smart Pull Lift, Motorized Lift . . . . .	31
Dual Shades (U.S. ONLY) or Enclosed Loop Dual Shades (Canada ONLY) . . . . .	32
Contour Valance, Cassette Valance . . . . .	33
Fascia, Flat Valance, Control Lengths for Smart Pull Wand . . . . .	34
Roller Shades: Scallop Options . . . . .	35
Roller Shades: Gimp Option, Bead Trim Option . . . . .	36
Corner Windows . . . . .	37
Bay Windows . . . . .	38
<b>General Information</b>	
EasyTouch Cordless Lift Shade Product Detail . . . . .	39
Enclosed Loop EasyTouch Dual Lift Shade Product Detail (Canada ONLY) . . . . .	40
Cordless Lift Shade Product Detail . . . . .	41
Enclosed Loop Shade Product Detail (Canada ONLY) . . . . .	42
EasyTouch Dual Lift Shade Product Detail (U.S. ONLY) . . . . .	43
Continuous-Loop Lift Shade Product Detail (U.S. ONLY) . . . . .	44
Smart Pull Lift Shade Product Detail . . . . .	45
Enclosed Loop Dual Shade Product Detail (Canada ONLY) . . . . .	46
Dual Shade Product Detail (U.S. ONLY) . . . . .	47

## PLEASE NOTE:

Photos and illustrations are for inspiration only.  
Not all product configurations are available in all countries.

Window blinds with a damaged or loose tension device or retractable cord that fails to fully retract pose a strangulation risk to children. To avoid this potential strangulation risk, consider purchasing cordless products or products with inaccessible cords.

# Features

## Summary

Bali® Roller and Solar Shades offer a great selection of light and temperature controlling shades.

### Roller Shades

- Wide variety of colors
- Wide variety of textures and designs
- Improved temperature control

### Solar Shades

- 1% to 10% openness
- Excellent outward visibility
- Glare control

Features	Benefits
EasyTouch Cordless Lift	<ul style="list-style-type: none"> <li>• Precision placement — lower and raise the shade by moving the hem bar exactly where you want it. Ideal system for aligning shade height for multiple shades on the same wall</li> <li>• Light and smooth lift for all shade sizes</li> <li>• Aesthetically beautiful mounting hardware that hides mechanics</li> <li>• Shade is spring-loaded on each end and will self-center between brackets when installed</li> <li>• Streamlined appearance with no chains; ideal for homes with children or pets</li> <li>• Optional contour valance, cassette valance with fabric insert, fascia, flat valance or wood cornice</li> </ul>
Enclosed Loop EasyTouch Dual Lift (Canada ONLY)	<ul style="list-style-type: none"> <li>• Precision placement with two ways to operate the shade: 1) lower and raise shade by moving the hem bar exactly where you want it, or 2) raise the shade by moving the plastic grip toward the top of the window, then hold down the up-arrow button, while simultaneously pulling the grip down. Once you are at the bottom, release the button, reset the grip at the top, and repeat until your shade is at the desired height. To lower the shade, hold the down-arrow button and follow the same instructions.</li> <li>• Light and smooth lift for all shade sizes</li> <li>• Aesthetically beautiful mounting hardware that hides mechanics</li> <li>• Shade is spring-loaded on each end and will self-center between brackets when installed</li> <li>• Beaded chain remains at same length, regardless of chain position</li> <li>• Choose left or right chain or cord location</li> <li>• Optional contour valance, cassette valance with fabric insert, fascia, flat valance or wood cornice</li> </ul>
EasyTouch Dual Lift (U.S. ONLY)	<ul style="list-style-type: none"> <li>• Precision placement with two ways to operate the shade — lower and raise the shade by moving the hem bar exactly where you want it, or lower and raise by pulling on the chain or cord</li> <li>• Light and smooth lift for all shade sizes</li> <li>• Choice of bead chain or fabric cord</li> <li>• One pull of the chain will raise the entire shade</li> <li>• Aesthetically beautiful mounting hardware that hides mechanics</li> <li>• Shade is spring-loaded on each end and will self-center between brackets when installed</li> <li>• Beaded chain (or optional cord) remains at same length, regardless of chain position</li> <li>• Choose from five colors for the plastic chain, or stainless steel chain</li> <li>• Hold down device keeps chain taut for enhanced safety</li> <li>• Choose left or right chain or cord location</li> <li>• Optional contour valance, cassette valance with fabric insert, fascia, flat valance or wood cornice</li> </ul>
Continuous-Loop Lift (U.S. ONLY)	<ul style="list-style-type: none"> <li>• Spring-loaded idle for easy install</li> <li>• Beaded chain and clutch system make raising and lowering shade easy</li> <li>• Four clutch sizes depending on shade size</li> <li>• Beaded chain remains at same length, regardless of shade position</li> <li>• Choose from five colors for the plastic chain or stainless steel chain</li> <li>• Hold down device keeps chain taut for enhanced safety</li> <li>• Choose left or right chain location</li> <li>• Optional contour valance, cassette valance with fabric insert, fascia, flat valance or wood cornice</li> </ul>
Enclosed Loop Lift (Canada ONLY)	<ul style="list-style-type: none"> <li>• Spring-loaded idle for easy install</li> <li>• Enclosed Loop Lift features a cord cover and sliding handle to operate the chain loop easily and safely</li> <li>• Four clutch sizes depending on shade size</li> <li>• Beaded chain remains at same length, regardless of shade position</li> <li>• Choose left or right chain location</li> <li>• Optional contour valance, cassette valance with fabric insert, fascia, flat valance or wood cornice</li> </ul>

# Features

## Summary

Bali® Roller and Solar Shades offer a great selection of light and temperature controlling shades.

### Roller Shades

- Wide variety of colors
- Wide variety of textures
- Improved temperature control

### Solar Shades

- 1% to 10% openness
- Excellent outward visibility
- Glare control

Features	Benefits
Cordless Lift	<ul style="list-style-type: none"> <li>• Streamlined appearance with no chains; ideal for homes with children or pets</li> <li>• Shade raises and lowers smoothly and easily due to a unique dual braking system</li> <li>• Tension can be manually adjusted so shade always raises at desired speed</li> <li>• Color coordinated tassels facilitate easy operation and keep fabrics clean (wood tassels in Natural, Walnut, and Golden Oak are optional)</li> <li>• Optional clear hem grip available (not available with scallop option)</li> <li>• Optional contour valance, cassette valance, flat valance or wood cornice</li> </ul>
Smart Pull Lift	<ul style="list-style-type: none"> <li>• Convenient easy glide lift system with a wand</li> <li>• Shade is lowered automatically with a single pull of the wand</li> <li>• Shade is raised to the desired placement with simple pull of the wand</li> <li>• Optional contour valance, cassette valance, flat valance or wood cornice</li> </ul>
Motorized Lift	<ul style="list-style-type: none"> <li>• Window treatments can be operated from virtually anywhere in the home</li> <li>• Provides easy operation of hard-to-reach or larger windows</li> <li>• Operate multiple window treatments simultaneously or individually</li> </ul>
Dual Shade (U.S. ONLY) or Enclosed Loop Dual Shade (Canada ONLY)	<ul style="list-style-type: none"> <li>• Two shades are combined onto one bracket for complete privacy and light control</li> <li>• Each shade may be configured with roller and/or solar fabrics</li> <li>• Maximizes view to the outside with solar or sheer fabrics</li> <li>• Maximizes privacy with roller fabrics</li> <li>• Improves energy efficiency</li> <li>• Optional large cassette</li> </ul>
Options	<ul style="list-style-type: none"> <li>• Each operating system offers multiple valance and cornice options (surcharge applies)</li> <li>• Turning fabric width for height accommodates larger windows; available in select fabrics</li> <li>• Reverse roll: fabric rolls over the front of tube; standard: material rolls over the back</li> <li>• Hem bar: fabric-wrapped</li> <li>• Projection brackets for Smart Pull Lift and cordless lift (no charge)</li> <li>• Hold down brackets (no charge)</li> <li>• Bay or corner shade</li> <li>• Motorized lift</li> <li>• Fascia available in 3" and 4" heights</li> </ul>
Total Room Coordination	<ul style="list-style-type: none"> <li>• Total room fabric coordination of many fabrics for roller, solar, sliding panels, verticals, and pleated shades</li> <li>• Coordinate a room by using a single fabric for a mixture of window types and sliding doors</li> </ul>
Scallop, Gimp, and Trims	<ul style="list-style-type: none"> <li>• Create a customized look for roller shades</li> </ul>
Warranty	<ul style="list-style-type: none"> <li>• Limited lifetime warranty; five-year warranty on motorization components</li> </ul>

# Features

## Roller Shade Fabrics

- Offer a solution for light control (sheer to blackout fabrics)
- Any room or decorating style
- Block damaging UV rays
- Coordinate with other product lines (vertical blinds, pleated shades, and sliding panels)

## Fabric Styles and Information: Roller Shade Fabrics

Style Name	Opacity Level	Fabric Composition	Fabric Width (inches)	Oeko-Tex® Certified	Can be Turned Width for Height	Color to Street Side	Color Number
Acadia BO*	Blackout	100% Polyester	115			White	All colors
Acadia LF*	Light Filtering	100% Polyester	115			Same front and back	All colors
Andes*	Light Filtering	100% Polyester	101½	•		Same front and back	All colors
Basics*	Blackout	25% Fiberglass/75% PVC	69 <sup>7</sup> / <sub>8</sub>		•	Varies by colorway	All colors
Boyden*	Blackout	100% Polyester	118	•		White	All colors
Candid*	Light Filtering	100% Polyester	95 <sup>1</sup> / <sub>8</sub>	•		Same front and back	All colors
Cascade*	Light Filtering	100% Polyester	108	•		Same front and back	All colors
Domain	Light Filtering	100% Polyester	106	•		Same front and back	All colors
Dundee BO	Blackout	100% Polyester	92	•		White	All colors
Dundee LF	Light Filtering	100% Polyester	92	•	•	Same front and back	All colors
Estevan	Light Filtering	100% Polyester	107½	•		Same front and back	All colors
Everly	Sheer	100% Polyester	114¾	•		Same front and back	All colors
Fiji BO*	Blackout	100% Polyester	108	•		Varies by colorway	All colors
Fiji LF*	Light Filtering	100% Polyester	108	•		Same front and back	All colors
Flagstone	Blackout	100% Polyester	117	•	•	White	All colors
Gabardine	Light Filtering	3.1% Flax/4.3% Cotton/ 92.6% Polyester	106	•		Same front and back	All colors
Gazebo	Blackout	100% Polyester	91¾	•	•	White	All colors
Harbor*	Light Filtering	100% Polyester	71½	•		Same front and back	All colors
Hopewell	Light Filtering	100% Polyester	92½	•		White	All colors
Kyoto*	Blackout	20% Cotton/80% Polyester	77¼			White	All colors
Landscape*	Sheer	100% Polyester	91¾	•		Same front and back	All colors
Linen	Light Filtering	4.8% Flax/6.7% Cotton/ 88.5% Polyester	72	•		Neutral	26001, 26003, 26004
Linen	Light Filtering	6% Flax/8.4% Cotton/85.6% Polyester	72	•		Neutral	26005
Manhattan LF	Light Filtering	100% Polyester	76	•	•	Same front and back	11103
Manhattan LF	Light Filtering	100% Polyester	91¾	•	•	Same front and back	11107, 11105, 11102, 11101
Manhattan LF	Light Filtering	100% Polyester	120	•	•	Same front and back	11142, 11141, 11143, 11144
Manhattan RD	Room Darkening	100% Polyester	76	•	•	White	11203
Manhattan RD	Room Darkening	100% Polyester	91¾	•	•	White	11209, 11205, 11202, 11201
Manhattan RD	Room Darkening	100% Polyester	118	•	•	White	12212, 12211, 12213, 12214
Mountainside BO	Blackout	100% Polyester	92	•		White	All colors
Mountainside LF	Light Filtering	100% Polyester	92	•		Same front and back	All colors
Ornamental	Light Filtering	100% Polyester	108	•		Same front and back	All colors
Plush*	Blackout	20% Cotton/80% Polyester	78			White	All colors
Robin*	Light Filtering	100% Polyester	91¾	•		Same front and back	All colors
Rustic	Blackout	100% Polyester	69½	•		White	All colors
Shoreline	Light Filtering	100% Polyester	91¾	•		Same front and back	All colors
Sovereign	Blackout	100% Polyester	120	•	•	White	All colors
Springleaf	Light Filtering	100% Polyester	92	•		Same front and back	All colors
Tahoe BO*	Blackout	18% Cotton/82% Polyester	115			White	All colors
Tahoe LF*	Light Filtering	18% Cotton/82% Polyester	115			Same front and back	All colors
Tuscan	Sheer	100% Polyester	76		•	Same front and back	All colors
Viva	Sheer	100% Polyester	106	•		Same front and back	All colors

Basics material is FR Rated. Smart Pull is not available with Plush fabric.

# Features

## Light Control and Privacy: Roller Shade Fabrics

**Sheer\*:** Allows the most amount of light into the room for a minimum amount of privacy and a view to the outside. Objects in the room can be seen quite clearly through shades.

**Privacy Level:** Minimal

**Light Filtering\*:** Allows light to gently filter through and provides privacy. Images and shapes may be seen through these shades, but details are not visible. Deep fabric colors provide moderate light control, while light colors provide lower light control.

**Privacy Level:** Moderate

**Room Darkening\*:** Allows some light to filter into the room and provides privacy. Objects in a lit room seen through these shades appear as vague shapes. Deep fabric colors darken a room; light colors filter and diffuse bright sunlight.

**Privacy Level:** Complete

\*These fabrics are translucent and their colors may be influenced by changing light conditions. Colors may appear to vary depending upon the time of day and type of lighting, as well as whether the shade is partially or fully lowered.

**NOTE:** Select roller weaves may have “pinpricks” of light showing through.

**Blackout:** Prohibits light from shining through and provides maximum privacy. Prevents shadows and silhouettes from showing through the fabric. All fabric colors provide maximum light control.

**Privacy Level:** Complete

**Light Gaps:** For optimal light and glare control, outside mount is recommended, or you may add a secondary soft window treatment (drapery or curtain) to hide the light gap on an inside mount. (Refer to light gap chart in this section.)

**Privacy Level:** Moderate

# Features

## Solar and Roller Shades

### Maintain an Outward View

- Filter and diffuse light while maintaining an outward view
- In general, the higher the openness factor and darker the fabric, the clearer the view

### Manage Glare

- Minimize glare on televisions and home office computers
- The darker the fabric color, the better the glare control and the better the view to the outside

### Block Damaging UV Rays

- The amount of UV ray blockage is the inverse of a fabric's openness factor (e.g., a fabric with 10% openness blocks 90% of UV rays)
- Protect your furniture, carpets, artwork, etc., from fading due to harmful UV rays

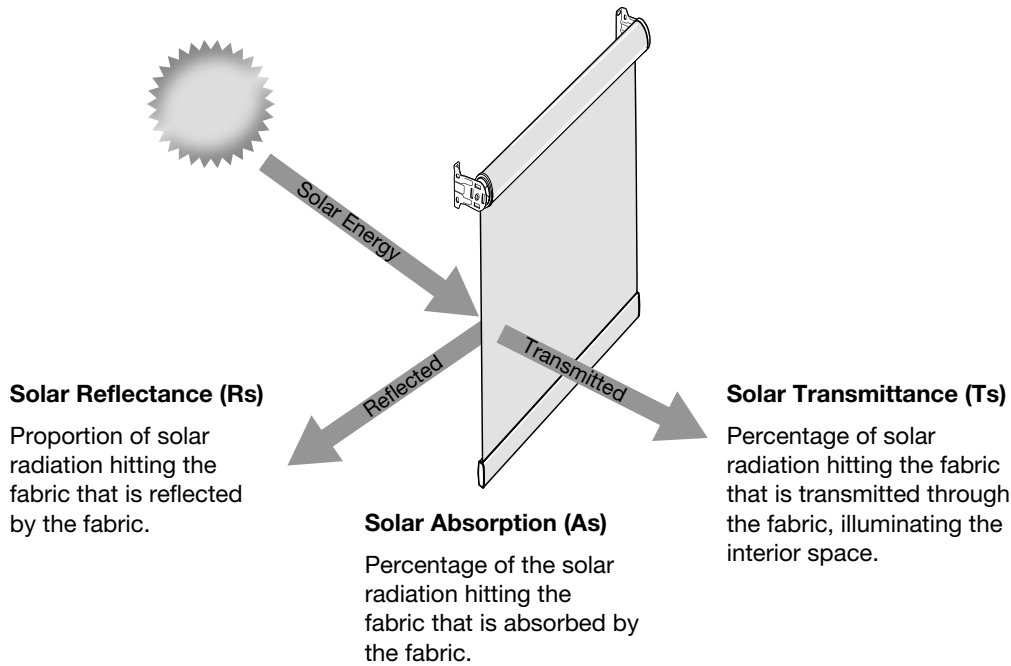
### Reduce the Temperature

- Fabrics reduce heat transmittance, keeping rooms cooler and increasing the comfort level in the home
- The lighter the fabric color, the better the temperature control

**NOTE:** Solar shades do not offer nighttime privacy; lighted interiors allow inward visibility. If complete privacy is desired, a dual shade or secondary treatment is necessary.

### Solar Optical Properties

When solar radiation reaches the shading fabric it is either reflected, absorbed, or transmitted. The sum of these values equals 100% of the solar energy hitting the fabric.



## Fabric Certifications

**GREENGUARD Indoor Air Quality Certified® Fabrics:** Many Bali® fabrics have been certified by GREENGUARD Environmental Institute (GEI) to be low chemical- and particle-emitting fabrics, which provides a healthier indoor air quality. The process used for certification complies with established indoor air quality standards and is performed by a third party lab. Please see [baliblinds.com](http://baliblinds.com) for more information.



**Oeko-Tex® Standard 100** certifies that our fabrics are free of halogen, lead, formaldehyde, allergenic dyes, pesticides, phenols, and heavy metals, and meets all VOC content limits.



GREENGUARD Indoor Air Quality Certified is a registered trademark of the GREENGUARD Environmental Institute.

Oeko-Tex is a registered trademark of the Oeko-Tex Association.

# Features

## Fabric Styles and Information: Solar Shade Fabrics

Style Name	Openness	UV Blockage	Fabric Composition	Fabric Width (inches)	GREENGUARD® Certified	Anti-microbial	Anti-fungal	FR Rated	Can be Turned Width for Height	Color Number
Ballad	4%	96%	15% Polyester/ 85% Vinyl on Polyester	96	•	•	•	•		All colors
Baybridge*	8%	92%	17% Polyester/ 20% PP/ 63% PVC	96	•					All colors
Bristol*	1%	99%	23% Polyester/ 77% PVC	96	•	•	•	•		All colors
Concrete Jungle	8%	92%	70% PVC/ 30% Polyester	96	•			•		All colors
Cora*	5%	95%	17% Polyester/ 83% PVC	94	•	•	•	•		All colors
Creel	10%	90%	85% PVC/ 15% Polyester	96	•	•	•	•		All colors
EcoLiving*	5%	95%	100% PET recycled polyester	99½	•			•		All colors
EnviroStyle*	3%	97%	100% PET recycled polyester	103½	•			•		All colors
Feedback 1%	1%	99%	21% Polyester/ 79% Vinyl on Polyester	124	•	•	•	•	•	47907, 47908, 47914
			24% Polyester/ 76% Vinyl on Polyester							47901, 47906, 47911
			25% Polyester/ 75% Vinyl on Polyester							47902, 47910
Feedback 3%	3%	97%	18% Polyester/ 82% Vinyl on Polyester	124	•	•	•	•	•	48202
			21% Polyester/ 79% Vinyl on Polyester							48208
			24% Polyester/ 76% Vinyl on Polyester							48201, 48206
Feedback 5%	5%	95%	16% Polyester/ 84% Vinyl on Polyester	124	•	•	•	•	•	48302, 48310
			21% Polyester/ 79% Vinyl on Polyester							48307, 48308, 48314
			24% Polyester/ 76% Vinyl on Polyester							48301, 48306, 48311
Feedback 10%	10%	90%	16% Polyester/ 84% Vinyl on Polyester	116	•	•	•	•	•	48402
			21% Polyester/ 79% Vinyl on Polyester							48408
			24% Polyester/ 76% Vinyl on Polyester							48401, 48406
Flecked*	7%	93%	25% Polyester/ 75% PVC	116	•	•	•	•		All colors
Landon	8%	92%	16% Polyester/ 84% PVC	96	•	•	•	•		All colors

# Features

## Fabric Styles and Information: Solar Shade Fabrics

Style Name	Openness	UV Blockage	Fabric Composition	Fabric Width (inches)	GREENGUARD® Certified	Anti-microbial	Anti-fungal	FR Rated	Can be Turned Width for Height	Color Number
Muse 1%	1%	99%	19% Polyester/ 81% Vinyl on Polyester  25% Polyester/ 75% Vinyl on Polyester	116	•	•	•	•	•	47601, 47612  47610, 47604, 47609, 47607
Muse 5%	5%	95%	13% Polyester/ 87% Vinyl on Polyester  25% Polyester/ 75% Vinyl on Polyester	116	•	•	•	•	•	47801, 47812  47810, 47804, 47809, 47807
Mystify	5%	95%	30% Polyester/ 70% Vinyl on Polyester	96	•	•	•	•		All colors
Revelation	4%	96%	15% Polyester/ 85% Vinyl on Polyester	96	•	•	•	•		All colors
SafeElements*	2%	98%	20% Polyester/ 80% PVC	95½	•	•	•	•	•	All colors
Santina*	5%	95%	28% Polyester/ 72% PVC	96½	•	•	•	•		All colors
Steppe	7%	93%	23.8% Polyester/ 76.2% Vinyl on Polyester	96	•	•	•	•	•	All colors
Wales*	3%	97%	25% Polyester/ 75% PVC	96	•	•	•	•		All colors

Smart Pull is not available with the following fabrics: Bristol, Muse, Steppe, Santina



# Features

## Fabric Recommendations

Order all shades for the same room at the same time to ensure color consistency and minimize dye lot variation.

When displaying multiple shades in the same room, we recommend all shades be ordered with the same fabric orientation for a consistent look.

## Fabric Disclaimers

Due to the nature of the weaving process, some imperfections in the weave are normal.

**NOTE:** Select roller weaves may have “pinpricks” of light showing through.

Roll direction cannot be reversed after a shade is ordered.

Fabric appearance can vary based on changing light conditions in the room.

## Fabric Width

The fabric width is narrower than the finished shade width of the tube and its components.

## Light Gap

Control Type	Light Gap per Side (inches)
EasyTouch Cordless Lift	3/8
EasyTouch Cordless Lift with Cassette	1/2
EasyTouch Cordless Lift with Contour Valance	3/8
EasyTouch Cordless Lift with Fascia	3/8
Easy Touch Cordless Lift with Flat Valance	3/8
EasyTouch Dual Lift or Enclosed Loop EasyTouch Dual Lift	1/2
EasyTouch Dual Lift or Enclosed Loop EasyTouch Dual Lift with Cassette	1/2
EasyTouch Dual Lift or Enclosed Loop EasyTouch Dual Lift with Contour Valance	1/2
EasyTouch Dual Lift or Enclosed Loop EasyTouch Dual Lift with Fascia	1/2
EasyTouch Dual Lift or Enclosed Loop EasyTouch Dual Lift with Flat Valance	1/2
Enclosed Loop or Continuous-Loop Lift	9/16 to 7/8
Enclosed Loop or Continuous-Loop Lift with Cassette	9/16 to 1 1/16
Enclosed Loop or Continuous-Loop Lift with Contour Valance	9/16 to 7/8
Enclosed Loop or Continuous-Loop Lift with Fascia	9/16 to 7/8
Enclosed Loop or Continuous-Loop Lift with Flat Valance	9/16 to 7/8
Dual Shade or Enclosed Loop Dual Shade	9/16 to 1 1/16
Dual Shade or Enclosed Loop Dual Shade with Cassette	9/16 to 7/8
Cordless Lift	3/8 to 3/4
Cordless Lift with Cassette	7/16 to 13/16
Cordless Lift with Contour Valance	3/8 to 3/4
Cordless Lift with Flat Valance	3/8 to 3/4
Smart Pull Lift	9/16 to 15/16
Smart Pull Lift with Cassette	3/8 to 1
Smart Pull Lift with Contour Valance	9/16 to 15/16
Smart Pull Lift with Flat Valance	9/16 to 15/16

## Large Window Sizing

Fabrics can be turned 90° clockwise (width for height) to accommodate wider windows. Fabrics turned width for height (referred to as railroaded) may curl along the edge. Springs Window Fashions performs extensive testing to ensure our customers receive high quality shades. On extremely wide shades, a slight V shape may appear in the center of the shade. This occurs due to the weight of the fabric and should be considered a normal characteristic.

## Pattern Alignment

Exact alignment of the fabric pattern across side-by-side shades is not possible. Vertical alignment of the shade fabric with cassettes is not possible. Fabrics with large repeat patterns are not centered on the shade.

## Cleaning and Care Information

**Roller shade fabrics** are virtually maintenance free. If the shade is dusty, simply vacuum over it using an upholstery attachment. A dusting cloth can also be used to gently remove dust. Shades may also be gently wiped with a clean damp cloth. Allow the shade to dry completely before raising. Do **NOT** completely immerse.

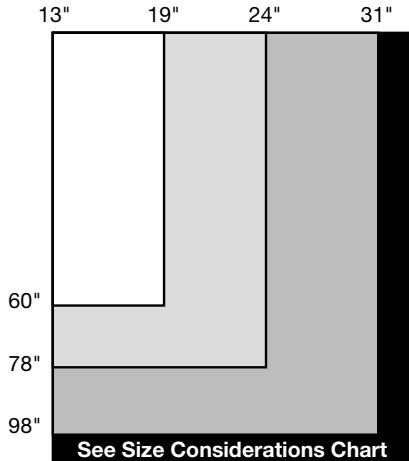
**Solar shade fabrics** are virtually maintenance free. Only periodic vacuuming and an occasional cleaning using a mild detergent, soft brushing, and thorough rinsing is required. Allow the shade to dry completely before raising. Do **NOT** completely immerse.

# Size Considerations

## Maximum Shade Size

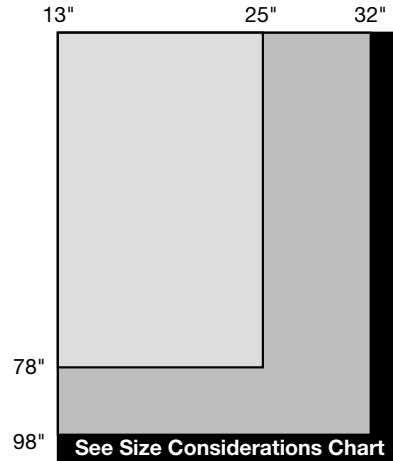
### Cordless Lift Shade Maximum Size

If Shade Width Is at Least (inches)	Maximum Height of Shade (inches)
13 but less than or equal to 19	60
19½ but less than or equal to 24	78
24½ but less than or equal to 31	98
For shades greater than 31", see size considerations charts	



### Smart Pull Lift Shade Maximum Size

If Shade Width Is at Least (inches)	Maximum Height of Shade (inches)
13 but less than or equal to 25	78
25½ but less than or equal to 32	98
For shades greater than 32", see size considerations charts	



Follow these easy steps to determine maximum shade size and valance size from the maximum shade size tables:

1. Determine your fabric style, shade size, control type, and cassette valance (or no cassette valance) requirement.
2. Find the fabric in the first column.
3. Follow the fabric row to the appropriate control type section (EasyTouch Lift, Enclosed Loop Lift, Continuous-Loop Lift, Dual Shade, Enclosed Loop Dual Shade, Motorized Lift, Cordless Lift, or Smart Pull Lift).
4. Determine if your shade size is within the normal fabric orientation size range.
5. Identify the appropriate size valance for your shade size.
6. If your shade size is larger than either the maximum width or height range, your fabric may be able to be turned width for height for larger shades. Use the fabric turned width for height tables to determine this maximum size.

**EXAMPLE 1:** Determine the maximum allowable shade size and cassette valance for normal orientation shades. The example shade is 72" x 100", Gazebo BO fabric, cordless lift, with cassette valance.

1. Go to the cordless lift section.
2. Find Gazebo in the first column.
3. The maximum width and maximum height available for this configuration is 78" x 120".

**NOTE:** Both width and height must be less than the maximum width and height segment to fit the normal shade orientation.

4. Follow this segment to the top of the table. This segment is within the medium cassette valance size, indicating that the smallest segment cassette valance size available for this shade is a medium size cassette valance.

**EXAMPLE 2:** Determine the maximum allowable shade size and cassette valance for an Enclosed Loop shade. The example shade is 79" x 80", Cascade fabric, Enclosed Loop with a large cassette valance. First, determine if the shade size is available with the requested fabric and control type.

1. Go to the Enclosed Loop section.
2. Find Cascade in the first column.
3. The maximum width and maximum height available for this configuration is 108" x 144". The 79" x 80" size does not exceed the Enclosed Loop segment.
4. The 79" x 80" size does not exceed either the medium or large cassette segments.

### Dual Shades or Enclosed Loop Dual Shades

The maximum size for dual shades is found using the dual shade column. Because two shades must fit into a single cassette valance, the dual shade requires the large cassette valance. Small and medium cassette valances are not available for dual shades.

**Recommendation:** For a consistent look in a single room, we recommend the same size cassette valance be used for every shade. Use the largest shade to determine the smallest available cassette valance size for that room. For example, if the largest shade in the room requires a medium cassette valance, then it is recommended all shades in the room use a medium cassette valance. The cassette valance size can be specified during ordering.

# EasyTouch Cordless Lift, EasyTouch Dual Lift, and Enclosed Loop EasyTouch Dual Lift Size Considerations

- In an effort to maximize product offerings, the following tables provide the maximum shade size available for each fabric and valance combination as determined by the fabric width
- Valance types available for EasyTouch Cordless Lift, EasyTouch Dual Lift, and Enclosed Loop EasyTouch Dual Lift are shown in the chart key at the bottom right corner of each page in this section
- Some fabrics may be turned width for height (railroaded) to accommodate wide windows—See table for availability
- Shades ordered greater than a 1:6 ratio (W:H) risk telescoping

**Minimum Shade Width: Varies by fabric**  
**Minimum Shade Height: 13"**

## Roller Shade EasyTouch Cordless Lift, EasyTouch Dual Lift, and Enclosed Loop EasyTouch Dual Lift: Maximum Shade Size

Acadia BO							
Options		Width (inches) Standard Orientation					
<input type="checkbox"/> S*		13 - 25.875	26 - 44.875	45 - 65.875	66 - 81.875	82 - 103.875	104 - 115
<input type="checkbox"/> RR**							
Height (inches)	A	32	88	98	99	86	50
	B	29	29	29	29	29	29
	C	29	87	87	87	86	50
	D	32	88	98	99	86	50
	E	32	59	59	59	59	50
	F	32	88	98	99	86	50

Acadia LF												
Options		Width (inches) Standard Orientation										
<input type="checkbox"/> S*		14 - 19.875	20 - 22.875	23 - 28.875	29 - 33.875	34 - 48.875	49 - 52.875	53 - 61.875	62 - 75.875	76 - 83.875	84 - 108.875	109 - 115
<input type="checkbox"/> RR**												
Height (inches)	A	46	115	132	109	132	120	101	106	94	101	91
	B	41	41	41	41	41	41	41	41	41	41	41
	C	41	115	117	109	117	117	101	106	94	101	91
	D	46	115	132	109	132	120	101	106	94	101	91
	E	46	81	81	81	81	81	81	81	81	81	81
	F	46	115	132	109	132	120	101	106	94	101	91

Andes											
Options		Width (inches) Standard Orientation									
<input type="checkbox"/> S*		14 - 19.875	20 - 22.875	23 - 29.875	30 - 36.875	37 - 37.875	38 - 50.875	51 - 70.875	71 - 79.875	80 - 94.875	95 - 101.5
<input type="checkbox"/> RR**											
Height (inches)	A	52	131	144	125	109	143	122	106	132	120
	B	52	60	60	60	60	60	60	60	60	60
	C	52	131	144	125	109	143	122	106	132	120
	D	52	131	144	125	109	143	122	106	132	120
	E	52	117	117	117	109	117	117	106	117	117
	F	52	131	144	125	109	143	122	106	132	120

Basics															
Options		Width (inches) Standard Orientation							Width (inches) Railroaded						
<input type="checkbox"/> S*		13 - 18.875	19 - 27.875	28 - 36.875	37 - 45.875	46 - 60.875	61 - 67.875	68 - 73.875	70 - 73.875	74 - 80.875	81 - 90.875	91 - 105.875	106 - 109.875	110 - 118.875	119 - 125.875
<input checked="" type="checkbox"/> RR**															
Height (inches)	A	31	73	91	75	98	97	85	58	58	58	58	58	49	27
	B	31	73	76	75	76	76	76	58	58	58	58	58	49	27
	C	31	73	91	75	98	97	85	58	58	58	58	58	49	27
	D	31	73	91	75	98	97	85	58	58	58	58	58	49	27
	E	31	73	91	75	98	97	85	58	58	58	58	58	49	27
	F	31	73	91	75	98	97	85	58	58	58	58	58	49	27

Boyden														
Options		Width (inches) Standard Orientation												
<input type="checkbox"/> S*		13 - 17.875	18 - 20.875	21 - 26.875	27 - 36.875	37 - 47.875	48 - 57.875	58 - 71.875	72 - 79.875	80 - 84.875	85 - 96.875	97 - 108.875	109 - 112.875	113 - 117.25
<input type="checkbox"/> RR**														
Height (inches)	A	35	108	81	107	94	124	101	117	107	89	96	81	58
	B	30	30	30	30	30	30	30	30	30	30	30	30	30
	C	30	90	81	90	90	90	90	90	89	89	90	81	58
	D	35	108	81	107	94	124	101	117	107	89	96	81	58
	E	35	62	62	62	62	62	62	62	62	62	62	62	58
	F	35	108	81	107	94	124	101	117	107	89	96	81	58

Candid											
Options		Width (inches) Standard Orientation									
<input type="checkbox"/> S*		13 - 18.875	19 - 25.875	26 - 29.875	30 - 39.875	40 - 54.875	55 - 65.875	66 - 78.875	79 - 90.875	91 - 95.5	
<input type="checkbox"/> RR**											
Height (inches)	A	42	108	99	127	106	134	119	103	119	
	B	41	41	41	41	41	41	41	41	41	
	C	41	108	99	117	106	117	117	103	117	
	D	42	108	99	127	106	134	119	103	119	
	E	42	81	81	81	81	81	81	81	81	
	F	42	108	99	127	106	134	119	103	119	

Cascade							
Options		Width (inches) Standard Orientation					
<input type="checkbox"/> S*		14 - 19.875	20 - 30.875	31 - 37.875	38 - 59.875	60 - 83.875	84 - 107.5
<input type="checkbox"/> RR**							
Height (inches)	A	54	137	114	124	111	114
	B	44	44	44	44	44	44
	C	44	127	114	124	111	114
	D	54	137	114	124	111	114
	E	54	88	88	88	88	88
	F	54	137	114	124	111	114

Domain					
Options		Width (inches) Standard Orientation			
<input type="checkbox"/> S*		13 - 15.875	16 - 67.875	68 - 97.875	98 - 106.875
<input type="checkbox"/> RR**					
Height (inches)	A	72	144	126	144
	B	61	69	69	69
	C	61	144	126	144
	D	61	144	126	144
	E	61	132	126	132
	F	61	144	126	144

Dundee BO					
Options		Width (inches) Standard Orientation			
<input type="checkbox"/> S*		13 - 15.875	16 - 25.875	26 - 75.875	76 - 91.875
<input type="checkbox"/> RR**					
Height (inches)	A	52	128	140	128
	B	50	50	50	50
	C	52	128	140	128
	D	52	128	140	128
	E	52	100	100	100
	F	52	128	140	128

Chart Key	
<b>A</b>	No Valance / 2" Brackets
<b>B</b>	Small Cassette
<b>C</b>	Medium Cassette
<b>D</b>	Large Cassette
<b>E</b>	Contour / Flat / 3" Fascia
<b>F</b>	4" Fascia
*S-Seaming **RR-Railroading	

Due to continuous manufacturing improvements, minimums and maximums are subject to change. Please call customer service for up-to-date size considerations.

# EasyTouch Cordless Lift, EasyTouch Dual Lift, and Enclosed Loop EasyTouch Dual Lift Size Considerations

## Roller Shade EasyTouch Cordless Lift, EasyTouch Dual Lift, and Enclosed Loop EasyTouch Dual Lift: Maximum Shade Size

Dundee LF							
Options		Width (inches) Standard Orientation			Width (in) RR		
<input type="checkbox"/> S*		13 - 17.875	18 - 83.875	84 - 103.875	104 - 121.875	122 - 127.875	128 - 133.875
<input checked="" type="checkbox"/> RR**							
Height (inches)	A	80	144	77	77	72	48
	B	56	56	56	56	56	48
	C	80	144	77	77	72	48
	D	80	144	77	77	72	48
	E	80	112	77	77	72	48
	F	80	144	77	77	72	48

Estevan											
Options		Width (inches) Standard Orientation									
<input type="checkbox"/> S*		14 - 19.875	20 - 27.875	28 - 32.875	33 - 45.875	46 - 62.875	63 - 71.875	72 - 84.875	85 - 96.875	97 - 103.875	104 - 107.5
<input type="checkbox"/> RR**											
Height (inches)	A	50	133	116	141	123	109	130	123	115	101
	B	50	51	51	51	51	51	51	51	51	51
	C	50	133	116	141	123	109	130	123	115	101
	D	50	133	116	141	123	109	130	123	115	101
	E	50	100	100	100	100	100	100	100	100	100
	F	50	133	116	141	123	109	130	123	115	101

Everly						
Options		Width (in) Standard Orientation				
<input type="checkbox"/> S*		14 - 20.875	21 - 40.875	41 - 66.875	67 - 92.875	93 - 114.875
<input type="checkbox"/> RR**						
Height (inches)	A	64	133	139	119	99
	B	53	53	53	53	53
	C	53	133	139	119	99
	D	64	133	139	119	99
	E	64	103	103	103	99
	F	64	133	139	119	99

Fiji BO											
Options		Width (inches) Standard Orientation									
<input type="checkbox"/> S*		13 - 17.875	18 - 22.875	23 - 26.875	27 - 34.875	35 - 42.875	43 - 47.875	48 - 60.875	61 - 70.875	71 - 83.875	84 - 108.25
<input type="checkbox"/> RR**											
Height (inches)	A	35	98	81	114	92	107	121	104	111	94
	B	35	36	36	36	36	36	36	36	36	36
	C	35	98	81	106	92	106	106	104	106	94
	D	35	98	81	114	92	107	121	104	111	94
	E	35	73	73	73	73	73	73	73	73	73
	F	35	98	81	114	92	107	121	104	111	94

Fiji LF										
Options		Width (inches) Standard Orientation								
<input type="checkbox"/> S*		14 - 20.875	21 - 32.875	33 - 38.875	38 - 55.875	56 - 62.875	63 - 71.875	72 - 76.875	77 - 89.875	90 - 108.25
<input type="checkbox"/> RR**										
Height (inches)	A	58	144	122	143	125	134	124	110	125
	B	47	47	47	47	47	47	47	47	47
	C	47	133	122	133	125	133	124	110	125
	D	58	144	122	143	125	134	124	110	125
	E	58	92	92	92	92	92	92	92	92
	F	58	144	122	143	125	134	124	110	125

Flagstone								
Options		Width (inches) Standard Orientation				Width (in) RR		
<input type="checkbox"/> S*		13 - 13.875	14 - 23.875	24 - 85.875	86 - 103.875	104 - 109.875	110 - 117.875	118 - 123.875
<input checked="" type="checkbox"/> RR**								
Height (inches)	A	44	100	112	108	80	48	32
	B	44	48	48	48	48	48	32
	C	44	100	112	108	80	48	32
	D	44	100	112	108	80	48	32
	E	44	98	98	98	80	48	32
	F	44	100	112	108	80	48	32

Gabardine										
Options		Width (inches) Standard Orientation								
<input type="checkbox"/> S*		14 - 19.875	20 - 27.875	28 - 32.875	33 - 46.875	47 - 62.875	63 - 74.875	75 - 90.875	91 - 99.875	100 - 106
<input type="checkbox"/> RR**										
Height (inches)	A	52	136	119	144	126	110	129	121	114
	B	47	47	47	47	47	47	47	47	47
	C	47	136	119	137	126	110	129	121	114
	D	52	136	119	144	126	110	129	121	114
	E	52	92	92	92	92	92	92	92	92
	F	52	136	119	144	126	110	129	121	114

Gazebo										
Options		Width (inches) Standard Orientation					Width (in) RR			
<input type="checkbox"/> S*		13 - 17.875	18 - 28.875	29 - 45.875	46 - 63.875	64 - 79.875	80 - 91.75	91.875 - 114.875	115 - 114.875	115 - 122.875
<input checked="" type="checkbox"/> RR**										
Height (inches)	A	37	88	99	110	106	117	80	50	
	B	37	47	47	47	47	47	47	47	
	C	37	88	99	110	106	117	80	50	
	D	37	88	99	110	106	117	80	50	
	E	37	88	92	92	106	92	80	50	
	F	37	88	99	110	106	117	80	50	

Harbor					
Options		Width (in) Std. Orientation			
<input type="checkbox"/> S*		13 - 20.875	21 - 32.875	33 - 61.875	62 - 71.5
<input type="checkbox"/> RR**					
Height (inches)	A	43	104	112	99
	B	25	25	25	25
	C	25	78	78	78
	D	43	104	112	99
	E	43	53	53	53
	F	43	104	112	99

Hopewell						
Options		Width (in) Standard Orientation				
<input type="checkbox"/> S*		15 - 20.875	21 - 22.875	23 - 74.875	75 - 85.875	86 - 91.75
<input type="checkbox"/> RR**						
Height (inches)	A	71	100	144	124	113
	B	57	57	57	57	57
	C	57	100	144	124	113
	D	71	100	144	124	113
	E	71	100	109	109	109
	F	71	100	144	124	113

Kyoto										
Options		Width (inches) Standard Orientation								
<input type="checkbox"/> S*		13 - 18.875	19 - 23.875	24 - 27.875	28 - 34.875	35 - 50.875	51 - 61.875	62 - 68.875	69 - 75.875	76 - 78.75
<input type="checkbox"/> RR**										
Height (inches)	A	35	101	85	120	98	128	115	104	124
	B	35	40	40	40	40	40	40	40	40
	C	35	101	85	115	98	115	115	104	115
	D	35	101	85	120	98	128	115	104	124
	E	35	80	80	80	80	80	80	80	80
	F	35	101	85	120	98	128	115	104	124

Landscape								
Options		Width (inches) Standard Orientation						
<input type="checkbox"/> S*		15 - 15.875	16 - 17.875	18 - 19.875	20 - 21.875	22 - 22.875	23 - 23.875	24 - 91.75
<input type="checkbox"/> RR**								
Height (inches)	A	54	121	106	94	88	126	144
	B	54	112	106	94	88	112	112
	C	54	121	106	94	88	126	144
	D	54	121	106	94	88	126	144
	E	54	121	106	94	88	126	144
	F	54	121	106	94	88	126	144

Linen								
Options		Width (inches) Standard Orientation						
<input type="checkbox"/> S*		13 - 18.875	19 - 25.875	26 - 29.875	30 - 41.875	42 - 55.875	56 - 68.875	69 - 71.5
<input type="checkbox"/> RR**								
Height (inches)	A	49	130	117	144	119	112	121
	B	27	27	27	27	27	27	27
	C	27	84	84	84	84	84	84
	D	49	130	117	144	119	112	121
	E	49	57	57	57	57	57	57
	F	49	130	117	144	119	112	121

Chart Key	
A	No Valance / 2" Brackets
B	Small Cassette
C	Medium Cassette
D	Large Cassette
E	Contour / Flat / 3" Fascia
F	4" Fascia
*S-Seaming **RR-Railroading	

Due to continuous manufacturing improvements, minimums and maximums are subject to change. Please call customer service for up-to-date size considerations.



# EasyTouch Cordless Lift, EasyTouch Dual Lift, and Enclosed Loop EasyTouch Dual Lift Size Considerations

## Solar Shade EasyTouch Cordless Lift, EasyTouch Dual Lift, and Enclosed Loop EasyTouch Dual Lift: Maximum Shade Size

Ballad						
Options		Width (in) Standard Orientation				
<input type="checkbox"/> S*		13 - 26.875	27 - 46.875	47 - 67.875	68 - 84.875	85 - 96
<input type="checkbox"/> RR**						
Height (inches)	A	32	89	95	96	92
	B	32	38	38	38	38
	C	32	89	95	96	92
	D	32	89	95	96	92
	E	32	77	77	77	77
	F	32	89	95	96	92

Baybridge						
Options		Width (in) Standard Orientation				
<input type="checkbox"/> S*		17 - 24.875	25 - 42.875	43 - 62.875	63 - 80 - 96	
<input type="checkbox"/> RR**						
Height (inches)	A	77	90	99	90	69
	B	19	19	19	19	19
	C	19	63	63	63	63
	D	63	90	99	90	69
	E	77	42	42	42	42
	F	42	90	99	90	69

Bristol												
Options		Width (inches) Standard Orientation										
<input type="checkbox"/> S*		15 - 20.875	21 - 28.875	29 - 31.875	32 - 36.875	37 - 40.875	41 - 49.875	50 - 59.875	60 - 73.875	74 - 82.875	83 - 90.875	91 - 96
<input type="checkbox"/> RR**												
Height (inches)	A	60	76	100	109	91	80	83	71	57	47	36
	B	15	15	15	15	15	15	15	15	15	15	15
	C	15	54	54	54	54	54	54	54	54	47	36
	D	54	76	100	109	91	80	83	71	57	47	36
	E	60	36	36	36	36	36	36	36	36	36	36
	F	36	76	100	109	91	80	83	71	57	47	36

Concrete Jungle							
Options		Width (inches) Standard Orientation					
<input type="checkbox"/> S*		13 - 13.875	14 - 23.875	24 - 39.875	40 - 63.875	64 - 91.875	92 - 96.875
<input type="checkbox"/> RR**							
Height (inches)	A	48	116	144	140	116	100
	B	33	33	33	33	33	33
	C	48	103	103	103	103	100
	D	48	116	144	140	116	100
	E	48	70	70	70	70	70
	F	48	116	144	140	116	100

Cora						
Options		Width (in) Standard Orientation				
<input type="checkbox"/> S*		13 - 25.875	26 - 44.875	45 - 65.875	66 - 83.875	84 - 94
<input type="checkbox"/> RR**						
Height (inches)	A	30	87	92	90	83
	B	30	31	31	31	31
	C	30	87	92	90	83
	D	30	87	92	90	83
	E	30	64	64	64	64
	F	30	87	92	90	83

Creel							
Options		Width (inches) Standard Orientation					
<input type="checkbox"/> S*		13 - 13.875	14 - 21.875	22 - 53.875	54 - 79.875	80 - 95.875	96 - 96.875
<input type="checkbox"/> RR**							
Height (inches)	A	40	100	124	96	92	76
	B	19	19	19	19	19	19
	C	40	69	69	69	69	69
	D	40	100	124	96	92	76
	E	40	45	45	45	45	45
	F	40	100	124	96	92	76

EcoLiving						
Options		Width (in) Standard Orientation				
<input type="checkbox"/> S*		14 - 15.875	16 - 19.875	20 - 21.875	22 - 85.875	86 - 99.625
<input type="checkbox"/> RR**						
Height (inches)	A	54	62	86	125	108
	B	54	62	86	90	90
	C	54	62	86	125	108
	D	54	62	86	125	108
	E	54	62	86	125	108
	F	54	62	86	125	108

EnviroStyle							
Options		Width (inches) Standard Orientation					
<input type="checkbox"/> S*		13 - 17.875	18 - 27.875	28 - 49.875	50 - 69.875	70 - 89.875	90 - 103.25
<input type="checkbox"/> RR**							
Height (inches)	A	35	88	99	115	103	90
	B	35	36	36	36	36	36
	C	35	88	99	106	103	90
	D	35	88	99	115	103	90
	E	35	73	73	73	73	73
	F	35	88	99	115	103	90

Feedback 1%							
Options		Width (inches) Standard Orientation					
<input type="checkbox"/> S*		13 - 25.875	26 - 43.875	44 - 64.875	65 - 79.875	80 - 98.875	99 - 111.875
<input checked="" type="checkbox"/> RR**							
Height (inches)	A	28	81	83	87	80	51
	B	28	38	38	38	38	38
	C	28	81	83	87	80	51
	D	28	81	83	87	80	51
	E	28	76	76	76	76	51
	F	28	81	83	87	80	51

Feedback 3%							
Options		Width (inches) Standard Orientation					
<input type="checkbox"/> S*		13 - 25.875	26 - 50.875	51 - 64.875	65 - 79.875	80 - 91.875	92 - 111.875
<input checked="" type="checkbox"/> RR**							
Height (inches)	A	28	82	81	85	92	51
	B	28	39	39	39	39	39
	C	28	82	81	85	92	51
	D	28	82	81	85	92	51
	E	28	77	77	77	77	51
	F	28	82	81	85	92	51

Feedback 5%														
Options		Width (inches) Standard Orientation												
<input type="checkbox"/> S*		13 - 17.875	18 - 26.875	27 - 36.875	37 - 45.875	46 - 58.875	59 - 67.875	68 - 75.875	76 - 82.875	83 - 98.875	99 - 106 - 110.875	111 - 121.875		
<input checked="" type="checkbox"/> RR**														
Height (inches)	A	31	74	94	86	104	89	104	94	96	83	72	42	28
	B	31	41	41	41	41	41	41	41	41	41	41	41	28
	C	31	74	94	86	104	89	104	94	96	83	72	42	28
	D	31	74	94	86	104	89	104	94	96	83	72	42	28
	E	31	74	81	81	81	81	81	81	81	81	72	42	28
	F	31	74	94	86	104	89	104	94	96	83	72	42	28

Feedback 10%									
Options		Width (inches) Standard Orientation							W (RR)
<input type="checkbox"/> S*		16 - 22.875	23 - 36.875	37 - 47.875	48 - 69.875	70 - 102.875	103 - 116	116.125	118.875
<input checked="" type="checkbox"/> RR**									
Height (inches)	A	67	76	82	95	98	51	51	
	B	42	42	42	42	42	42	42	
	C	42	76	82	95	98	51	51	
	D	67	76	82	95	98	51	51	
	E	67	76	82	84	84	51	51	
	F	67	76	82	95	98	51	51	

Fleeked								
Options		Width (inches) Standard Orientation						
<input type="checkbox"/> S*		13 - 17.875	18 - 26.875	27 - 48.875	49 - 72.875	73 - 86.875	87 - 108.875	109 - 116
<input type="checkbox"/> RR**								
Height (inches)	A	36	83	95	103	110	93	52
	B	34	34	34	34	34	34	34
	C	34	83	95	101	101	93	52
	D	36	83	95	103	110	93	52
	E	36	70	70	70	70	70	52
	F	36	83	95	103	110	93	52

Landon						
Options		Width (in) Standard Orientation				
<input type="checkbox"/> S*		17 - 36.875	37 - 51.875	52 - 68.875	69 - 81.875	82 - 96
<input type="checkbox"/> RR**						
Height (inches)	A	68	83	84	88	71
	B	27	27	27	27	27
	C	27	83	84	84	71
	D	68	83	84	88	71
	E	68	57	57	57	57
	F	57	83	84	88	71

Chart Key	
A	No Valance / 2" Brackets
B	Small Cassette
C	Medium Cassette
D	Large Cassette
E	Contour / Flat / 3" Fascia
F	4" Fascia
*S-Seaming **RR-Railroading	

Due to continuous manufacturing improvements, minimums and maximums are subject to change. Please call customer service for up-to-date size considerations.

# EasyTouch Cordless Lift, EasyTouch Dual Lift, and Enclosed Loop EasyTouch Dual Lift Size Considerations

## Solar Shade EasyTouch Cordless Lift, EasyTouch Dual Lift, and Enclosed Loop EasyTouch Dual Lift: Maximum Shade Size

Muse 1%							
Options		Width (inches) Standard Orientation					
<input type="checkbox"/> S*		16 -	30 -	45 -	57 -	73 -	87 -
<input checked="" type="checkbox"/> RR**		29.875	44.875	56.875	72.875	86.875	102.875
Height (inches)	A	59	85	78	64	46	28
	B	22	22	22	22	22	22
	C	22	73	73	64	46	28
	D	59	85	78	64	46	28
	E	59	50	50	50	46	28
	F	50	85	78	64	46	28

Muse 5%							
Options		Width (inches) Standard Orientation					
<input type="checkbox"/> S*		17 -	33 -	39 -	61 -	79 -	92 -
<input checked="" type="checkbox"/> RR**		32.875	38.875	60.875	78.875	91.875	106.875
Height (inches)	A	51	57	67	68	51	33
	B	26	26	26	26	26	26
	C	26	57	67	68	51	33
	D	51	57	67	68	51	33
	E	51	54	54	54	51	33
	F	51	57	67	68	51	33

Mystify					
Options		Width (in) Std. Orientation			
<input type="checkbox"/> S*		17 -	42 -	55 -	90 -
<input checked="" type="checkbox"/> RR**		41.875	54.875	89.875	96
Height (inches)	A	82	109	87	59
	B	28	28	28	28
	C	28	85	85	59
	D	82	109	87	59
	E	82	58	58	58
	F	58	109	87	59

Revelation						
Options		Width (in) Standard Orientation				
<input type="checkbox"/> S*		13 -	22 -	35 -	47 -	68 -
<input checked="" type="checkbox"/> RR**		21.875	34.875	46.875	67.875	96
Height (inches)	A	32	74	86	95	98
	B	32	40	40	40	40
	C	32	74	86	95	98
	D	32	74	86	95	98
	E	32	74	79	79	79
	F	32	74	86	95	98

SafeElements							
Options		Width (in) Standard Orientation				Width (in) RR	
<input type="checkbox"/> S*		17 -	40 -	54 -	71 -	90 -	95.375 - 100 -
<input checked="" type="checkbox"/> RR**		39.875	53.875	70.875	89.875	95.25	113.875
Height (inches)	A	69	94	84	87	75	47
	B	33	33	33	33	33	33
	C	33	94	84	87	75	47
	D	69	94	84	87	75	47
	E	69	67	67	67	67	47
	F	67	94	84	87	75	47

Santina						
Options		Width (in) Standard Orientation				
<input type="checkbox"/> S*		16 -	33 -	47 -	65 -	84 -
<input checked="" type="checkbox"/> RR**		32.875	46.875	64.875	83.875	91.75
Height (inches)	A	66	94	85	77	52
	B	18	18	18	18	18
	C	18	60	60	60	52
	D	60	94	85	77	52
	E	66	40	40	40	40
	F	40	94	85	77	52

Steppe																
Options		Width (inches) Standard Orientation								Width (inches) Railroaded						
<input type="checkbox"/> S*		15 -	18 -	24 -	37 -	41 -	50 -	61 -	70 -	85 -	91 -	96.125 -	98 -	105 -	116 -	
<input checked="" type="checkbox"/> RR**		17.875	23.875	36.875	40.875	49.875	60.875	69.875	84.875	90.875	96	97.875	104.875	115.875	123.875	
Height (inches)	A	51	71	89	88	103	85	95	85	80	69	69	57	40	27	
	B	22	22	22	22	22	22	22	22	22	22	22	22	22	22	
	C	22	69	69	69	69	69	69	69	69	69	69	57	40	27	
	D	51	71	89	88	103	85	95	85	80	69	69	57	40	27	
	E	51	47	47	47	47	47	47	47	47	47	47	47	47	40	27
	F	47	71	89	88	103	85	95	85	80	69	69	57	40	27	

Wales										
Options		Width (inches) Standard Orientation								
<input type="checkbox"/> S*		13 -	18 -	26 -	45 -	56 -	66 -	74 -	81 -	91 -
<input checked="" type="checkbox"/> RR**		17.875	25.875	44.875	55.875	65.875	73.875	80.875	90.875	95.875
Height (inches)	A	30	72	85	105	88	102	92	102	96
	B	30	38	38	38	38	38	38	38	38
	C	30	72	85	105	88	102	92	102	96
	D	30	72	85	105	88	102	92	102	96
	E	30	72	76	76	76	76	76	76	76
	F	30	72	85	105	88	102	92	102	96

Chart Key	
<b>A</b>	No Valance / 2" Brackets
<b>B</b>	Small Cassette
<b>C</b>	Medium Cassette
<b>D</b>	Large Cassette
<b>E</b>	Contour / Flat / 3" Fascia
<b>F</b>	4" Fascia
*S-Seaming **RR-Railroading	

Due to continuous manufacturing improvements, minimums and maximums are subject to change. Please call customer service for up-to-date size considerations.

## Size Considerations

- This table provides the maximum shade size available by fabric, control type, and valance style
- Scallops decrease the maximum height by 6¼" on roller fabrics only
- Cassette valance, contour valance and flat valance are options for Enclosed Loop Lift, Continuous-Loop Lift, cordless lift, and Smart Pull Lift
- if your shade size is larger than the maximum width, your fabric may be able to be turned width for height for larger shades
- Use the fabric turned width for height table to determine this maximum size

### Minimum Shade Size

For all fabrics and lift options:

**Minimum shade width and height: 13"**

### Enclosed Loop Lift or Continuous-Loop Lift: Maximum Shade Size

Valance Type	Normal Fabric Orientation												Fabric Turned Width for Height (Rail/roated)															
	Small Cassette		Medium Cassette		1.5" Brackets Contour Valance/ No Cassette/ No Valance		Large Cassette/ Contour Valance/ No Cassette/ No Valance		3" Fascia		4" Fascia		Small Cassette		Medium Cassette		1.5" Brackets Contour Valance/ No Cassette/ No Valance		Large Cassette/ Contour Valance/ No Cassette/ No Valance at Max Length		Large Cassette/ Contour Valance/ No Cassette/ No Valance at Max Width		3" Fascia		4" Fascia			
	Width	Height	Width	Height	Width	Height	Width	Height	Width	Height	Width	Height	Width	Height	Width	Height	Width	Height	Width	Height	Width	Height	Width	Height	Width	Height	Width	Height
Fabric	56	84	89	87	53	111	109	144	64	100	112	124	NO RR	NO RR	NO RR	NO RR	NO RR	NO RR	NO RR	NO RR	NO RR	NO RR	NO RR	NO RR	NO RR	NO RR	NO RR	NO RR
Acacia BO	73	93	95	119	60	124	115	144	72	110	115	144	NO RR	NO RR	NO RR	NO RR	NO RR	NO RR	NO RR	NO RR	NO RR	NO RR	NO RR	NO RR	NO RR	NO RR	NO RR	NO RR
Acacia LF	92	122	102	144	78	123	102	144	102	125	102	144	NO RR	NO RR	NO RR	NO RR	NO RR	NO RR	NO RR	NO RR	NO RR	NO RR	NO RR	NO RR	NO RR	NO RR	NO RR	NO RR
Andes	71	98	96	118	71	98	96	144	80	125	96	144	NO RR	NO RR	NO RR	NO RR	NO RR	NO RR	NO RR	NO RR	NO RR	NO RR	NO RR	NO RR	NO RR	NO RR	NO RR	NO RR
Ballad	70	105	70	144	70	105	70	144	70	144	70	144	NO RR	NO RR	NO RR	NO RR	NO RR	NO RR	NO RR	NO RR	NO RR	NO RR	NO RR	NO RR	NO RR	NO RR	NO RR	NO RR
Basics	77	64	84	98	71	97	96	144	88	76	96	144	NO RR	NO RR	NO RR	NO RR	NO RR	NO RR	NO RR	NO RR	NO RR	NO RR	NO RR	NO RR	NO RR	NO RR	NO RR	NO RR
Baybridge	74	84	81	124	71	104	117	144	84	100	117	126	NO RR	NO RR	NO RR	NO RR	NO RR	NO RR	NO RR	NO RR	NO RR	NO RR	NO RR	NO RR	NO RR	NO RR	NO RR	NO RR
Boydton	74	55	80	85	68	83	96	144	84	65	96	125	NO RR	NO RR	NO RR	NO RR	NO RR	NO RR	NO RR	NO RR	NO RR	NO RR	NO RR	NO RR	NO RR	NO RR	NO RR	NO RR
Bristol	82	112	96	144	75	119	96	144	96	106	96	144	NO RR	NO RR	NO RR	NO RR	NO RR	NO RR	NO RR	NO RR	NO RR	NO RR	NO RR	NO RR	NO RR	NO RR	NO RR	NO RR
Candid	73	111	96	125	73	111	96	144	82	141	96	144	NO RR	NO RR	NO RR	NO RR	NO RR	NO RR	NO RR	NO RR	NO RR	NO RR	NO RR	NO RR	NO RR	NO RR	NO RR	NO RR
Canlid	74	115	96	125	73	123	96	144	85	133	96	144	NO RR	NO RR	NO RR	NO RR	NO RR	NO RR	NO RR	NO RR	NO RR	NO RR	NO RR	NO RR	NO RR	NO RR	NO RR	NO RR
Cascade	78	126	108	133	78	128	108	144	91	136	108	144	NO RR	NO RR	NO RR	NO RR	NO RR	NO RR	NO RR	NO RR	NO RR	NO RR	NO RR	NO RR	NO RR	NO RR	NO RR	NO RR
Concrete Jungle	72	99	82	121	71	107	96	144	82	118	96	144	NO RR	NO RR	NO RR	NO RR	NO RR	NO RR	NO RR	NO RR	NO RR	NO RR	NO RR	NO RR	NO RR	NO RR	NO RR	NO RR
Cora	71	94	80	120	70	101	94	144	81	113	94	144	NO RR	NO RR	NO RR	NO RR	NO RR	NO RR	NO RR	NO RR	NO RR	NO RR	NO RR	NO RR	NO RR	NO RR	NO RR	NO RR
Creel	75	67	81	104	70	95	96	144	85	80	96	144	NO RR	NO RR	NO RR	NO RR	NO RR	NO RR	NO RR	NO RR	NO RR	NO RR	NO RR	NO RR	NO RR	NO RR	NO RR	NO RR
Domain	78	112	106	119	77	120	106	144	89	135	106	144	NO RR	NO RR	NO RR	NO RR	NO RR	NO RR	NO RR	NO RR	NO RR	NO RR	NO RR	NO RR	NO RR	NO RR	NO RR	NO RR
Dundee	92	127	92	144	79	128	92	144	92	137	92	144	NO RR	NO RR	NO RR	NO RR	NO RR	NO RR	NO RR	NO RR	NO RR	NO RR	NO RR	NO RR	NO RR	NO RR	NO RR	NO RR
Dundee BO	66	114	88	128	58	95	92	144	91	101	92	144	NO RR	NO RR	NO RR	NO RR	NO RR	NO RR	NO RR	NO RR	NO RR	NO RR	NO RR	NO RR	NO RR	NO RR	NO RR	NO RR
Ecology	95	119	100	144	80	128	100	144	100	144	100	144	NO RR	NO RR	NO RR	NO RR	NO RR	NO RR	NO RR	NO RR	NO RR	NO RR	NO RR	NO RR	NO RR	NO RR	NO RR	NO RR
Ecology	94	122	103	144	80	122	103	144	103	144	103	144	NO RR	NO RR	NO RR	NO RR	NO RR	NO RR	NO RR	NO RR	NO RR	NO RR	NO RR	NO RR	NO RR	NO RR	NO RR	NO RR
EnviroStyle	90	112	108	144	76	127	108	144	108	105	108	144	NO RR	NO RR	NO RR	NO RR	NO RR	NO RR	NO RR	NO RR	NO RR	NO RR	NO RR	NO RR	NO RR	NO RR	NO RR	NO RR
Estevan	95	118	115	144	80	135	115	144	95	125	115	144	NO RR	NO RR	NO RR	NO RR	NO RR	NO RR	NO RR	NO RR	NO RR	NO RR	NO RR	NO RR	NO RR	NO RR	NO RR	NO RR
Every																												

Due to continuous manufacturing improvements, minimums and maximums are subject to change. Please call customer service for up-to-date size considerations. NO RR signifies a fabric that cannot be rotated 90 degrees in order to add to the maximum width for a shade.



# Size Considerations

## Enclosed Loop Lift or Continuous-Loop Lift: Maximum Shade Size

Fabric	Normal Fabric Orientation												Fabric Turned Width for Height (Railroaded)														
	Small Cassette		Medium Cassette		1.5" Brackets Contour Valance/ No Cassette/ No Valance		Large Cassette/ Contour Valance/ No Cassette/ No Valance		3" Fascia		4" Fascia		Small Cassette		Medium Cassette		1.5" Brackets Contour Valance/ No Cassette/ No Valance		Large Cassette/ Contour Valance/ No Cassette/ No Valance at Max Length		Large Cassette/ Contour Valance/ No Cassette/ No Valance at Max Width		3" Fascia		4" Fascia		
	Width	Height	Width	Height	Width	Height	Width	Height	Width	Height	Width	Height	Width	Height	Width	Height	Width	Height	Width	Height	Width	Height	Width	Height	Width	Height	Width
Feedback 1% (Americano, Mineral Point, Shiny Nickel)	70	89	106	121	65	123	124	144	77	126	124	144	70	89	108	111	66	116	144	108	144	108	144	79	112	144	108
Feedback 1% (Coconut Milk)	70	96	107	125	70	97	124	144	79	121	124	144	70	96	109	111	70	97	144	108	144	108	144	80	114	144	108
Feedback 1% (Dew)	70	89	106	121	65	123	124	144	77	126	124	144	70	89	108	111	66	116	144	108	144	108	144	79	112	144	108
Feedback 1% (Farmhouse White)	70	96	107	125	70	97	124	144	79	121	124	144	70	96	109	111	70	97	144	108	144	108	144	80	114	144	108
Feedback 1% (Fresh Fawn)	71	87	108	114	66	122	124	144	78	124	124	144	71	87	109	111	67	114	144	108	144	108	80	111	144	108	
Feedback 1% (Frostine)	71	87	108	114	66	122	124	144	78	124	124	144	71	87	109	111	67	114	144	108	144	108	80	111	144	108	
Feedback 10% (Frostine)	71	110	110	134	71	110	116	144	82	124	116	144	71	108	115	103	71	108	115	103	144	100	84	106	115	103	
Feedback 10% (Mineral Point, Farmhouse White, Shiny Nickel)	71	101	108	130	71	101	116	144	81	121	116	144	71	101	113	103	71	101	113	103	144	100	83	106	113	103	
Feedback 3% (Frostine, Farmhouse White)	71	88	108	118	70	95	124	144	78	126	124	144	71	88	109	111	70	95	144	108	144	108	80	112	144	108	
Feedback 3% (Mineral Point, Shiny Nickel)	71	87	107	122	66	121	124	144	78	124	124	144	71	87	109	111	67	113	144	108	144	108	79	114	144	108	
Feedback 5% (Americano, Mineral Point)	71	94	108	127	70	101	124	144	80	120	124	144	71	94	110	111	70	101	144	108	144	108	81	113	144	108	
Feedback 5% (Antler)	71	94	108	127	70	101	124	144	80	120	124	144	71	94	110	111	70	101	144	108	144	108	81	113	144	108	
Feedback 5% (Coconut Milk)	71	98	108	130	71	98	124	144	80	124	124	144	71	98	111	111	71	98	144	108	144	108	81	114	144	108	
Feedback 5% (Farmhouse White)	71	98	108	130	71	98	124	144	80	124	124	144	71	98	111	111	71	98	144	108	144	108	81	114	144	108	
Feedback 5% (Fresh Fawn)	71	101	110	123	71	101	124	144	81	121	124	144	71	101	112	111	71	101	144	108	144	108	82	114	144	108	
Feedback 5% (Frostine, Shiny Nickel)	71	101	110	123	71	101	124	144	81	121	124	144	71	101	112	111	71	101	144	108	144	108	82	114	144	108	
Fiji BO	94	118	108	144	79	128	108	144	94	119	108	144	NO RR	NO RR	NO RR	NO RR	NO RR	NO RR	NO RR	NO RR	NO RR	NO RR	NO RR	NO RR	NO RR	NO RR	NO RR
Flagstone	70	100	107	131	70	100	115	144	79	126	115	144	70	100	112	102	70	100	112	102	144	99	82	106	112	102	
Flecked	65	96	104	100	63	120	116	144	75	114	116	144	NO RR	NO RR	NO RR	NO RR	NO RR	NO RR	NO RR	NO RR	NO RR	NO RR	NO RR	NO RR	NO RR	NO RR	NO RR
Gabardine	92	106	106	135	76	127	106	144	89	132	106	144	NO RR	NO RR	NO RR	NO RR	NO RR	NO RR	NO RR	NO RR	NO RR	NO RR	NO RR	NO RR	NO RR	NO RR	NO RR
Gazebo	72	108	92	124	72	108	92	144	82	131	92	144	75	84	89	82	75	84	121	79	144	76	89	82	121	79	
Harbor	72	78	72	119	72	106	72	144	72	93	72	144	NO RR	NO RR	NO RR	NO RR	NO RR	NO RR	NO RR	NO RR	NO RR	NO RR	NO RR	NO RR	NO RR	NO RR	NO RR
Hopewell	92	125	92	144	82	135	92	144	92	144	92	144	NO RR	NO RR	NO RR	NO RR	NO RR	NO RR	NO RR	NO RR	NO RR	NO RR	NO RR	NO RR	NO RR	NO RR	NO RR

Due to continuous manufacturing improvements, minimums and maximums are subject to change. Please call customer service for up-to-date size considerations. NO RR signifies a fabric that cannot be rotated 90 degrees in order to add to the maximum width for a shade.



## Size Considerations

- This table provides the maximum shade size available by fabric, control type, and valance style
- Scallops decrease the maximum height by 6¾" on roller fabrics only
- Fabric turned width for height (railroaded) may curl along its edge; this is not a defect in the product
- Only the large cassette valance is available for the dual shade
- Small and medium cassette valances are not available

### Dual Shades or Enclosed Loop Dual Shades: Maximum Shade Size

Valance Type	Normal Fabric Orientation						Fabric Turned Width for Height (Railroaded)											
	Enclosed Loop or Continuous-Loop No Cassette/No Valance		Enclosed Loop or Continuous-Loop Large Cassette		Enclosed Loop or Continuous-Loop No Cassette/No Valance		Enclosed Loop or Continuous-Loop No Cassette/No Valance at Max Width		Enclosed Loop or Continuous-Loop Large Cassette		Enclosed Loop or Continuous-Loop Large Cassette at Max Width							
	Width (in)	Height (in)	Width (in)	Height (in)	Width (in)	Height (in)	Width (in)	Height (in)	Width (in)	Height (in)	Width (in)	Height (in)						
<b>Fabric</b>																		
Acadia BO	56	81	57	73	NO RR	NO RR	NO RR	NO RR	NO RR	NO RR	NO RR	NO RR	NO RR	NO RR	NO RR	NO RR	NO RR	NO RR
Acadia LF	74	89	62	99	NO RR	NO RR	NO RR	NO RR	NO RR	NO RR	NO RR	NO RR	NO RR	NO RR	NO RR	NO RR	NO RR	NO RR
Andes	91	131	92	120	NO RR	NO RR	NO RR	NO RR	NO RR	NO RR	NO RR	NO RR	NO RR	NO RR	NO RR	NO RR	NO RR	NO RR
Ballad	71	98	71	98	NO RR	NO RR	NO RR	NO RR	NO RR	NO RR	NO RR	NO RR	NO RR	NO RR	NO RR	NO RR	NO RR	NO RR
Basics	70	114	70	105	77	62	91	60	77	62	91	60	77	62	91	60	77	62
Baybridge	77	62	78	56	NO RR	NO RR	NO RR	NO RR	NO RR	NO RR	NO RR	NO RR	NO RR	NO RR	NO RR	NO RR	NO RR	NO RR
Boydton	74	82	75	74	NO RR	NO RR	NO RR	NO RR	NO RR	NO RR	NO RR	NO RR	NO RR	NO RR	NO RR	NO RR	NO RR	NO RR
Bristol	74	53	76	47	NO RR	NO RR	NO RR	NO RR	NO RR	NO RR	NO RR	NO RR	NO RR	NO RR	NO RR	NO RR	NO RR	NO RR
Candid	89	115	75	119	NO RR	NO RR	NO RR	NO RR	NO RR	NO RR	NO RR	NO RR	NO RR	NO RR	NO RR	NO RR	NO RR	NO RR
Candid	73	111	74	104	NO RR	NO RR	NO RR	NO RR	NO RR	NO RR	NO RR	NO RR	NO RR	NO RR	NO RR	NO RR	NO RR	NO RR
Candid	74	115	75	105	NO RR	NO RR	NO RR	NO RR	NO RR	NO RR	NO RR	NO RR	NO RR	NO RR	NO RR	NO RR	NO RR	NO RR
Cascade	78	122	80	109	NO RR	NO RR	NO RR	NO RR	NO RR	NO RR	NO RR	NO RR	NO RR	NO RR	NO RR	NO RR	NO RR	NO RR
Concrete Jungle	72	96	74	87	NO RR	NO RR	NO RR	NO RR	NO RR	NO RR	NO RR	NO RR	NO RR	NO RR	NO RR	NO RR	NO RR	NO RR
Cora	71	92	72	83	NO RR	NO RR	NO RR	NO RR	NO RR	NO RR	NO RR	NO RR	NO RR	NO RR	NO RR	NO RR	NO RR	NO RR
Creel	75	65	76	59	NO RR	NO RR	NO RR	NO RR	NO RR	NO RR	NO RR	NO RR	NO RR	NO RR	NO RR	NO RR	NO RR	NO RR
Domain	78	110	79	99	NO RR	NO RR	NO RR	NO RR	NO RR	NO RR	NO RR	NO RR	NO RR	NO RR	NO RR	NO RR	NO RR	NO RR
Dundee	92	123	92	109	83	84	98	82	83	84	98	82	83	84	98	82	83	84
Dundee BO	67	108	68	97	NO RR	NO RR	NO RR	NO RR	NO RR	NO RR	NO RR	NO RR	NO RR	NO RR	NO RR	NO RR	NO RR	NO RR
EcoLiving	95	119	95	119	NO RR	NO RR	NO RR	NO RR	NO RR	NO RR	NO RR	NO RR	NO RR	NO RR	NO RR	NO RR	NO RR	NO RR
EnviroStyle	94	122	94	122	NO RR	NO RR	NO RR	NO RR	NO RR	NO RR	NO RR	NO RR	NO RR	NO RR	NO RR	NO RR	NO RR	NO RR
Estevan	91	114	76	126	NO RR	NO RR	NO RR	NO RR	NO RR	NO RR	NO RR	NO RR	NO RR	NO RR	NO RR	NO RR	NO RR	NO RR
Everly	96	114	81	124	NO RR	NO RR	NO RR	NO RR	NO RR	NO RR	NO RR	NO RR	NO RR	NO RR	NO RR	NO RR	NO RR	NO RR

Due to continuous manufacturing improvements, minimums and maximums are subject to change. Please call customer service for up-to-date size considerations. NO RR signifies a fabric that cannot be rotated 90 degrees in order to add to the maximum width for a shade.

# Size Considerations

## Dual Shades or Enclosed Loop Dual Shades: Maximum Shade Size

Valance Type	Normal Fabric Orientation						Fabric Turned Width for Height (Railroaded)											
	Enclosed Loop or Continuous-Loop No Cassette/No Valance		Enclosed Loop or Continuous-Loop Large Cassette		Enclosed Loop or Continuous-Loop No Cassette/No Valance		Enclosed Loop or Continuous-Loop No Cassette/No Valance at Max Width		Enclosed Loop or Continuous-Loop Large Cassette		Enclosed Loop or Continuous-Loop Large Cassette at Max Width							
	Width (in)	Height (in)	Width (in)	Height (in)	Width (in)	Height (in)	Width (in)	Height (in)	Width (in)	Height (in)	Width (in)	Height (in)						
<b>Fabric</b>																		
Feedback 1% (Americano; Mineral Point; Shiny Nickel)	74	89	70	89	74	89	74	89	74	89	70	89	70	89	65	80		
Feedback 1% (Coconut Milk)	75	94	70	96	75	94	75	94	75	94	70	96	70	96	68	83		
Feedback 1% (Dew)	74	89	70	89	74	89	74	89	74	89	70	89	70	89	65	80		
Feedback 1% (Farmhouse White)	75	94	70	96	75	94	75	94	75	94	70	96	70	96	68	83		
Feedback 1% (Fresh Fawn)	78	86	71	87	78	86	78	86	78	86	71	87	71	87	72	74		
Feedback 1% (Frostine)	78	86	71	87	78	86	78	86	78	86	71	87	71	87	72	74		
Feedback 10% (Frostine)	82	102	71	110	82	102	82	102	82	102	71	108	71	108	74	90		
Feedback 10% (Mineral Point; Farmhouse White; Shiny Nickel)	79	98	71	101	79	98	79	98	79	98	71	101	71	101	72	86		
Feedback 3% (Frostine; Farmhouse White)	77	89	71	88	77	89	77	89	77	89	71	88	71	88	71	76		
Feedback 3% (Mineral Point; Shiny Nickel)	74	92	71	87	74	92	74	92	74	92	71	87	71	87	66	82		
Feedback 5% (Americano; Mineral Point)	76	97	71	94	76	97	76	97	76	97	71	94	71	94	71	82		
Feedback 5% (Antler)	76	97	71	94	76	97	76	97	76	97	71	94	71	94	71	82		
Feedback 5% (Coconut Milk)	79	96	71	98	79	96	79	96	79	96	71	98	71	98	71	85		
Feedback 5% (Farmhouse White)	79	96	71	98	79	96	79	96	79	96	71	98	71	98	71	85		
Feedback 5% (Fresh Fawn)	83	92	71	101	83	92	83	92	83	92	71	101	71	101	74	82		
Feedback 5% (Frostine; Shiny Nickel)	83	92	71	101	83	92	83	92	83	92	71	101	71	101	74	82		
Fiji BO	72	98	74	88	NO RR	NO RR	NO RR	NO RR	NO RR	NO RR	NO RR	NO RR	NO RR	NO RR	NO RR	NO RR		
Fiji LF	95	110	79	126	NO RR	NO RR	NO RR	NO RR	NO RR	NO RR	NO RR	NO RR	NO RR	NO RR	NO RR	NO RR		
Flagstone	76	97	70	100	76	97	76	97	76	97	70	100	70	100	71	82		
Flecked	66	93	67	84	NO RR	NO RR	NO RR	NO RR	NO RR	NO RR	NO RR	NO RR	NO RR	NO RR	NO RR	NO RR		
Gabardine	76	125	77	113	NO RR	NO RR	NO RR	NO RR	NO RR	NO RR	NO RR	NO RR	NO RR	NO RR	NO RR	NO RR		
Gazebo	72	108	73	101	75	84	75	84	89	82	75	84	75	84	82	82		
Harbor	72	75	72	68	NO RR	NO RR	NO RR	NO RR	NO RR	NO RR	NO RR	NO RR	NO RR	NO RR	NO RR	NO RR		
Hopewell	92	121	82	134	NO RR	NO RR	NO RR	NO RR	NO RR	NO RR	NO RR	NO RR	NO RR	NO RR	NO RR	NO RR		

Due to continuous manufacturing improvements, minimums and maximums are subject to change. Please call customer service for up-to-date size considerations. NO RR signifies a fabric that cannot be rotated 90 degrees in order to add to the maximum width for a shade.

# Size Considerations

## Dual Shades or Enclosed Loop Dual Shades: Maximum Shade Size

Valance Type	Normal Fabric Orientation						Fabric Turned Width for Height (Railroaded)					
	Enclosed Loop or Continuous-Loop No Cassette/No Valance			Enclosed Loop or Continuous-Loop Large Cassette			Enclosed Loop or Continuous-Loop No Cassette/No Valance			Enclosed Loop or Continuous-Loop Large Cassette		
	Width (in)	Height (in)		Width (in)	Height (in)		Width (in)	Height (in)		Width (in)	Height (in)	
<b>Fabric</b>												
Kyoto	71	112	72	102	NO RR	NO RR	NO RR	NO RR	NO RR	NO RR	NO RR	NO RR
London	71	83	72	75	NO RR	NO RR	NO RR	NO RR	NO RR	NO RR	NO RR	NO RR
Landscape	92	144	92	144	NO RR	NO RR	NO RR	NO RR	NO RR	NO RR	NO RR	NO RR
Linen	72	81	72	73	NO RR	NO RR	NO RR	NO RR	NO RR	NO RR	NO RR	NO RR
Manhattan LF	94	121	94	121	95	110	95	110	95	110	95	110
Manhattan RD	86	108	72	115	86	108	86	108	73	107	77	96
Mountainside BO	65	126	67	108	NO RR	NO RR	NO RR	NO RR	NO RR	NO RR	NO RR	NO RR
Mountainside LF	82	141	83	127	74	84	87	82	74	84	87	82
Muse 1% (Good Egg, Formal)	68	75	67	68	68	75	60	60	67	71	68	53
Muse 1% (Stovepipe, Alaska Sky, Fresh Mocha, Irish Oatmeal)	68	72	68	65	68	72	80	57	68	65	65	50
Muse 5% (Good Egg, Formal)	70	77	71	71	70	77	84	63	71	71	71	55
Muse 5% (Stovepipe, Alaska Sky, Fresh Mocha, Irish Oatmeal)	68	80	68	72	68	80	79	64	68	72	71	56
Mystify	71	84	72	76	NO RR	NO RR	NO RR	NO RR	NO RR	NO RR	NO RR	NO RR
Ornamental	80	102	81	92	NO RR	NO RR	NO RR	NO RR	NO RR	NO RR	NO RR	NO RR
Plush	74	61	75	54	NO RR	NO RR	NO RR	NO RR	NO RR	NO RR	NO RR	NO RR
Revelation	81	92	71	98	NO RR	NO RR	NO RR	NO RR	NO RR	NO RR	NO RR	NO RR
Robin	92	140	92	133	NO RR	NO RR	NO RR	NO RR	NO RR	NO RR	NO RR	NO RR
Rustic	70	90	70	82	NO RR	NO RR	NO RR	NO RR	NO RR	NO RR	NO RR	NO RR
SafeElements	70	89	71	82	70	87	84	73	71	82	75	65
Santina	67	56	69	50	NO RR	NO RR	NO RR	NO RR	NO RR	NO RR	NO RR	NO RR
Shoreline	92	124	93	112	NO RR	NO RR	NO RR	NO RR	NO RR	NO RR	NO RR	NO RR
Sovereign	88	102	73	114	88	102	88	102	73	109	83	90
Springleaf	92	140	92	127	84	84	98	82	84	84	98	82
Steppe	74	68	75	62	74	68	91	54	75	62	92	48
Tahoe BO	56	84	58	74	NO RR	NO RR	NO RR	NO RR	NO RR	NO RR	NO RR	NO RR
Tahoe LF	74	88	63	97	NO RR	NO RR	NO RR	NO RR	NO RR	NO RR	NO RR	NO RR
Tuscan	76	144	76	144	86	68	101	66	86	68	101	66
Viva	94	121	95	107	NO RR	NO RR	NO RR	NO RR	NO RR	NO RR	NO RR	NO RR
Wales	80	88	70	96	NO RR	NO RR	NO RR	NO RR	NO RR	NO RR	NO RR	NO RR

Due to continuous manufacturing improvements, minimums and maximums are subject to change. Please call customer service for up-to-date size considerations. NO RR signifies a fabric that cannot be rotated 90 degrees in order to add to the maximum width for a shade.

# Size Considerations

## Cordless Lift and Smart Pull Lift: Maximum Shade Size

- This table provides the maximum shade size available by fabric, control type, and valance style
  - Fabric turned width for height (Railroaded) may curl along its edge; this is not a defect in the product
  - Scallops will decrease the maximum height by 6¾" on roller fabrics only

Valance Type	Normal Fabric Orientation						Fabric Turned Width for Height (Railroaded)					
	Small Cassette Valance		Medium Cassette/Contour Valance/No Valance		Small Cassette Valance		Medium Cassette/Contour Valance/No Valance		Small Cassette Valance		Medium Cassette/Contour Valance/No Valance	
	Width	Height	Width	Height	Width	Height	Width	Height	Width	Height	Width	Height
Fabric												
Acadia BO	78	51	78	120	NO RR	NO RR	NO RR	NO RR	NO RR	NO RR	NO RR	NO RR
Acadia LF	78	70	78	120	NO RR	NO RR	NO RR	NO RR	NO RR	NO RR	NO RR	NO RR
Andes	78	107	78	120	NO RR	NO RR	NO RR	NO RR	NO RR	NO RR	NO RR	NO RR
Ballad	78	70	78	120	NO RR	NO RR	NO RR	NO RR	NO RR	NO RR	NO RR	NO RR
Basics	70	120	70	120	78	61	78	61	78	61	78	61
Baybridge	78	38	78	110	NO RR	NO RR	NO RR	NO RR	NO RR	NO RR	NO RR	NO RR
Boyden	78	51	78	120	NO RR	NO RR	NO RR	NO RR	NO RR	NO RR	NO RR	NO RR
Bristol	78	32	78	95	NO RR	NO RR	NO RR	NO RR	NO RR	NO RR	NO RR	NO RR
Candid	78	91	78	120	NO RR	NO RR	NO RR	NO RR	NO RR	NO RR	NO RR	NO RR
Candid	78	74	78	120	NO RR	NO RR	NO RR	NO RR	NO RR	NO RR	NO RR	NO RR
Candid	78	74	78	120	NO RR	NO RR	NO RR	NO RR	NO RR	NO RR	NO RR	NO RR
Cascade	78	78	78	120	NO RR	NO RR	NO RR	NO RR	NO RR	NO RR	NO RR	NO RR
Concrete Jungle	78	61	78	120	NO RR	NO RR	NO RR	NO RR	NO RR	NO RR	NO RR	NO RR
Cora	78	58	78	120	NO RR	NO RR	NO RR	NO RR	NO RR	NO RR	NO RR	NO RR
Creel	78	40	78	115	NO RR	NO RR	NO RR	NO RR	NO RR	NO RR	NO RR	NO RR
Domain	78	70	78	120	NO RR	NO RR	NO RR	NO RR	NO RR	NO RR	NO RR	NO RR
Dumdee	78	97	78	120	78	83	78	83	78	83	78	83
Dumdee BO	78	87	78	120	NO RR	NO RR	NO RR	NO RR	NO RR	NO RR	NO RR	NO RR
EcoLiving	78	120	78	120	NO RR	NO RR	NO RR	NO RR	NO RR	NO RR	NO RR	NO RR
EnviroStyle	78	120	78	120	NO RR	NO RR	NO RR	NO RR	NO RR	NO RR	NO RR	NO RR
Estevan	78	90	78	120	NO RR	NO RR	NO RR	NO RR	NO RR	NO RR	NO RR	NO RR
Everly	78	90	78	120	NO RR	NO RR	NO RR	NO RR	NO RR	NO RR	NO RR	NO RR

Due to continuous manufacturing improvements, minimums and maximums are subject to change. Please call customer service for up-to-date size considerations. NO RR signifies a fabric that cannot be rotated 90 degrees in order to add to the maximum width for a shade.

\*Smart Pull Lift not available

# Size Considerations

## Cordless Lift and Smart Pull Lift: Maximum Shade Size

- This table provides the maximum shade size available by fabric, control type, and valance style
  - Fabric turned width for height (Railroaded) may curl along its edge; this is not a defect in the product
  - Scallops decrease the maximum height by 6¾" on roller fabrics only

## Cordless Lift and Smart Pull Lift: Maximum Shade Size

Valance Type	Normal Fabric Orientation						Fabric Turned Width for Height (Railroaded)					
	Small Cassette Valance			Medium Cassette/Contour Valance/No Valance			Small Cassette Valance			Medium Cassette/Contour Valance/No Valance		
	Width	Height		Width	Height		Width	Height		Width	Height	
Fabric	78	71	78	78	120	78	71	78	78	71	78	115
Feedback 1% (Americano; Mineral Point; Shiny Nickel)	78	74	78	78	120	78	74	78	78	74	78	115
Feedback 1% (Coconut Milk)	78	71	78	78	120	78	71	78	78	71	78	115
Feedback 1% (Dew)	78	74	78	78	120	78	74	78	78	74	78	115
Feedback 1% (Farmhouse White)	78	67	78	78	120	78	67	78	78	67	78	115
Feedback 1% (Fresh Fawn)	78	67	78	78	120	78	67	78	78	67	78	115
Feedback 1% (Frostine)	78	80	78	78	120	78	80	78	78	80	78	107
Feedback 10% (Frostine)	78	77	78	78	120	78	77	78	78	77	78	107
Feedback 10% (Mineral Point; Farmhouse White; Shiny Nickel)	78	70	78	78	120	78	70	78	78	70	78	115
Feedback 3% (Frostine; Farmhouse White)	78	73	78	78	120	78	73	78	78	73	78	115
Feedback 3% (Mineral Point; Shiny Nickel)	78	76	78	78	120	78	76	78	78	76	78	115
Feedback 5% (Americano; Mineral Point)	78	76	78	78	120	78	76	78	78	76	78	115
Feedback 5% (Antler)	78	77	78	78	120	78	77	78	78	77	78	115
Feedback 5% (Coconut Milk)	78	77	78	78	120	78	77	78	78	77	78	115
Feedback 5% (Farmhouse White)	78	73	78	78	120	78	73	78	78	73	78	115
Feedback 5% (Fresh Fawn)	78	73	78	78	120	78	73	78	78	73	78	115
Feedback 5% (Frostine; Shiny Nickel)	78	73	78	78	120	78	73	78	78	73	78	115
Fiji BO	78	62	78	78	120	NO RR	NO RR	NO RR	NO RR	NO RR	NO RR	NO RR
Fiji LF	78	90	78	78	120	NO RR	NO RR	NO RR	NO RR	NO RR	NO RR	NO RR
Flagstone	78	85	78	78	120	78	85	78	78	85	78	106
Flecked	78	59	78	78	120	NO RR	NO RR	NO RR	NO RR	NO RR	NO RR	NO RR
Gabardine	78	80	78	78	120	NO RR	NO RR	NO RR	NO RR	NO RR	NO RR	NO RR
Gazebo	78	73	78	78	120	78	73	78	78	73	78	83
Harbor	72	47	72	72	120	NO RR	NO RR	NO RR	NO RR	NO RR	NO RR	NO RR
Hopewell	78	95	78	78	120	NO RR	NO RR	NO RR	NO RR	NO RR	NO RR	NO RR

Due to continuous manufacturing improvements, minimums and maximums are subject to change. Please call customer service for up-to-date size considerations. NO RR signifies a fabric that cannot be rotated 90 degrees in order to add to the maximum width for a shade.

\*Smart Pull Lift not available

# Size Considerations

## Cordless Lift and Smart Pull Lift: Maximum Shade Size

- This table provides the maximum shade size available by fabric, control type, and valance style
  - Fabric turned width for height (Railroaded) may curl along its edge; this is not a defect in the product
  - Scallops decrease the maximum height by 6¾" on roller fabrics only

## Cordless Lift and Smart Pull Lift: Maximum Shade Size

Valance Type	Normal Fabric Orientation			Medium Cassette/ Contour Valance/ No Cassette/ No Valance			Fabric Turned Width for Height (Railroaded)			Small Cassette Valance			Medium Cassette/ Contour Valance/ No Cassette/ No Valance		
	Width	Height	NO RR	Width	Height	NO RR	Width	Height	NO RR	Width	Height	NO RR	Width	Height	NO RR
Fabric	78	72	78	78	120	NO RR	78	120	NO RR	78	120	NO RR	78	120	NO RR
Kyoto	78	52	78	78	120	NO RR	78	120	NO RR	78	120	NO RR	78	120	NO RR
London	78	51	78	78	120	NO RR	78	120	NO RR	78	120	NO RR	78	120	NO RR
Landscape	72	113	78	78	120	NO RR	78	120	NO RR	78	120	NO RR	78	120	NO RR
Linen	78	86	78	78	120	NO RR	78	120	NO RR	78	120	NO RR	78	120	NO RR
Manhattan LF	78	100	78	78	120	NO RR	78	120	NO RR	78	120	NO RR	78	120	NO RR
Manhattan RD	78	113	78	78	120	NO RR	78	120	NO RR	78	120	NO RR	78	120	NO RR
Mountainside BO	78	47	78	78	120	NO RR	78	120	NO RR	78	120	NO RR	78	120	NO RR
Mountainside LF	78	47	78	78	120	NO RR	78	120	NO RR	78	120	NO RR	78	120	NO RR
Muse 1% (Good Egg, Formal)	NA	NA	NA	NA	NA	NA	NA	NA	NA	NA	NA	NA	NA	NA	NA
Muse 1% (Stovepipe, Alaska Sky, Fresh Mocha, Irish Oatmeal)	78	49	78	78	120	NO RR	78	120	NO RR	78	120	NO RR	78	120	NO RR
Muse 5% (Good Egg, Formal)	78	50	78	78	120	NO RR	78	120	NO RR	78	120	NO RR	78	120	NO RR
Muse 5% (Stovepipe, Alaska Sky, Fresh Mocha, Irish Oatmeal)	78	53	78	78	120	NO RR	78	120	NO RR	78	120	NO RR	78	120	NO RR
Mystify	78	65	78	78	120	NO RR	78	120	NO RR	78	120	NO RR	78	120	NO RR
Ornamental	78	37	78	78	108	NO RR	78	108	NO RR	78	108	NO RR	78	108	NO RR
Plush	78	73	78	78	120	NO RR	78	120	NO RR	78	120	NO RR	78	120	NO RR
Revelation	78	119	78	78	120	NO RR	78	120	NO RR	78	120	NO RR	78	120	NO RR
Robin	70	57	70	70	120	NO RR	70	120	NO RR	70	120	NO RR	70	120	NO RR
Rustic	78	57	78	78	120	NO RR	78	120	NO RR	78	120	NO RR	78	120	NO RR
SafeElements	78	34	78	78	99	NO RR	78	99	NO RR	78	99	NO RR	78	99	NO RR
Santina	78	100	78	78	120	NO RR	78	120	NO RR	78	120	NO RR	78	120	NO RR
Shoreline	78	81	78	78	120	NO RR	78	120	NO RR	78	120	NO RR	78	120	NO RR
Sovereign	78	78	78	78	120	NO RR	78	120	NO RR	78	120	NO RR	78	120	NO RR
Springleaf	78	113	78	78	120	NO RR	78	120	NO RR	78	120	NO RR	78	120	NO RR
Steppe	78	42	78	78	120	NO RR	78	120	NO RR	78	120	NO RR	78	120	NO RR
Tahoe BO	78	53	78	78	120	NO RR	78	120	NO RR	78	120	NO RR	78	120	NO RR
Tahoe LF	78	69	78	78	120	NO RR	78	120	NO RR	78	120	NO RR	78	120	NO RR
Tuscan	76	120	76	76	120	NO RR	76	120	NO RR	76	120	NO RR	76	120	NO RR
Viva	78	95	78	78	120	NO RR	78	120	NO RR	78	120	NO RR	78	120	NO RR
Wales	78	69	78	78	120	NO RR	78	120	NO RR	78	120	NO RR	78	120	NO RR

Due to continuous manufacturing improvements, minimums and maximums are subject to change. Please call customer service for up-to-date size considerations. NO RR signifies a fabric that cannot be rotated 90 degrees in order to add to the maximum width for a shade.

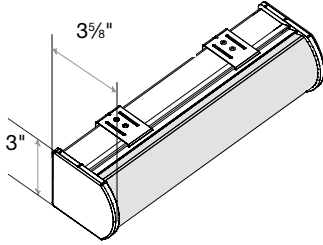
\*Smart Pull Lift not available



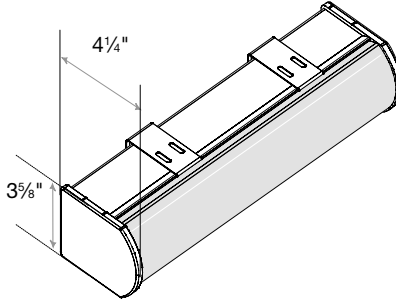
# Size Considerations

## Enclosed Loop, Continuous-Loop, Motorized Lift, Dual Shade, and Enclosed Loop Dual Shade: Mounting Depth Illustrations

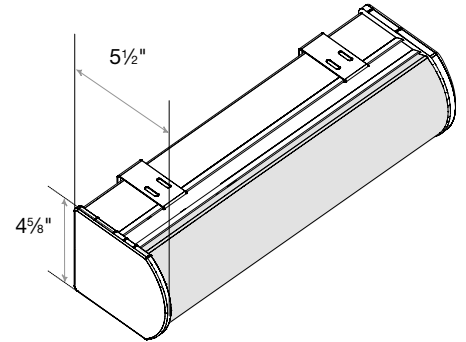
The following diagrams illustrate the mounting depth requirements for shades mounted inside window casements.



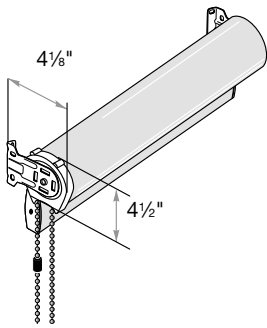
Small Cassette Valance  
1 5/8" Minimum Inside Mount



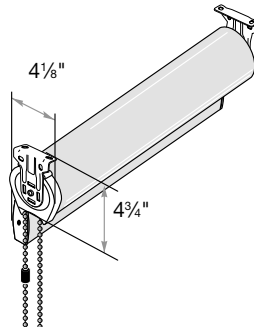
Medium Cassette Valance  
1 3/4" Minimum Inside Mount



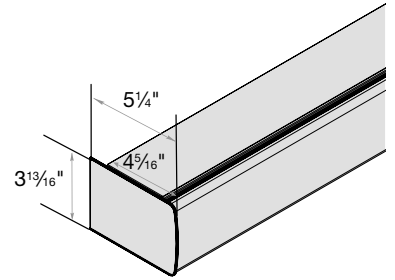
Large/Dual Cassette Valance  
1 3/4" Minimum Inside Mount



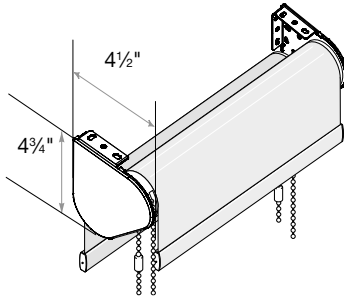
No Valance\*  
3/4" Minimum Inside/Side Mount



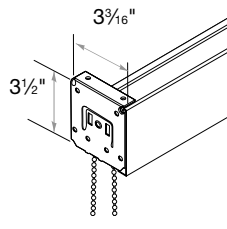
No Valance\*  
4/8" Minimum Inside/Top Mount



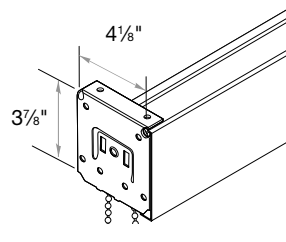
Contour Valance  
3 1/2" Minimum Inside Mount  
(return can be trimmed)



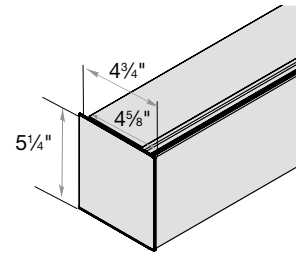
Dual Shade—No Cassette Valance  
2" Minimum Inside/Top Mount  
3/4" Minimum Inside/Side Mount



3" Fascia  
2 3/4" Minimum Inside/Top Mount  
3/4" Minimum Inside/Side Mount

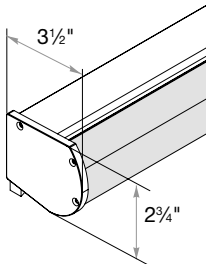


4" Fascia  
3 3/4" Minimum Inside/Top Mount  
1 1/2" Minimum Inside/Side Mount

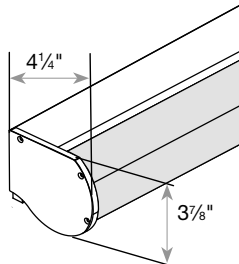


Flat Valance  
2 15/16" Minimum Inside Mount  
(return can be trimmed)

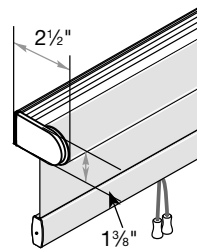
## Cordless Lift and Smart Pull Lift: Mounting Depth Illustrations



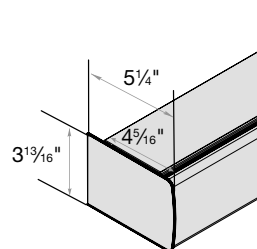
Small Cassette Valance  
1 1/2" Minimum  
Inside Mount



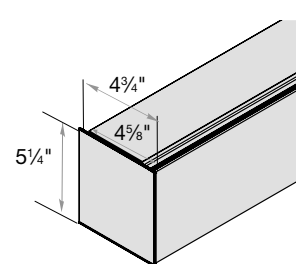
Medium Cassette  
Valance  
1 3/4" Minimum  
Inside Mount



No Valance\*  
2" Minimum  
Inside Mount



Contour Valance  
3 1/2" Minimum  
Inside Mount  
(return can be trimmed)



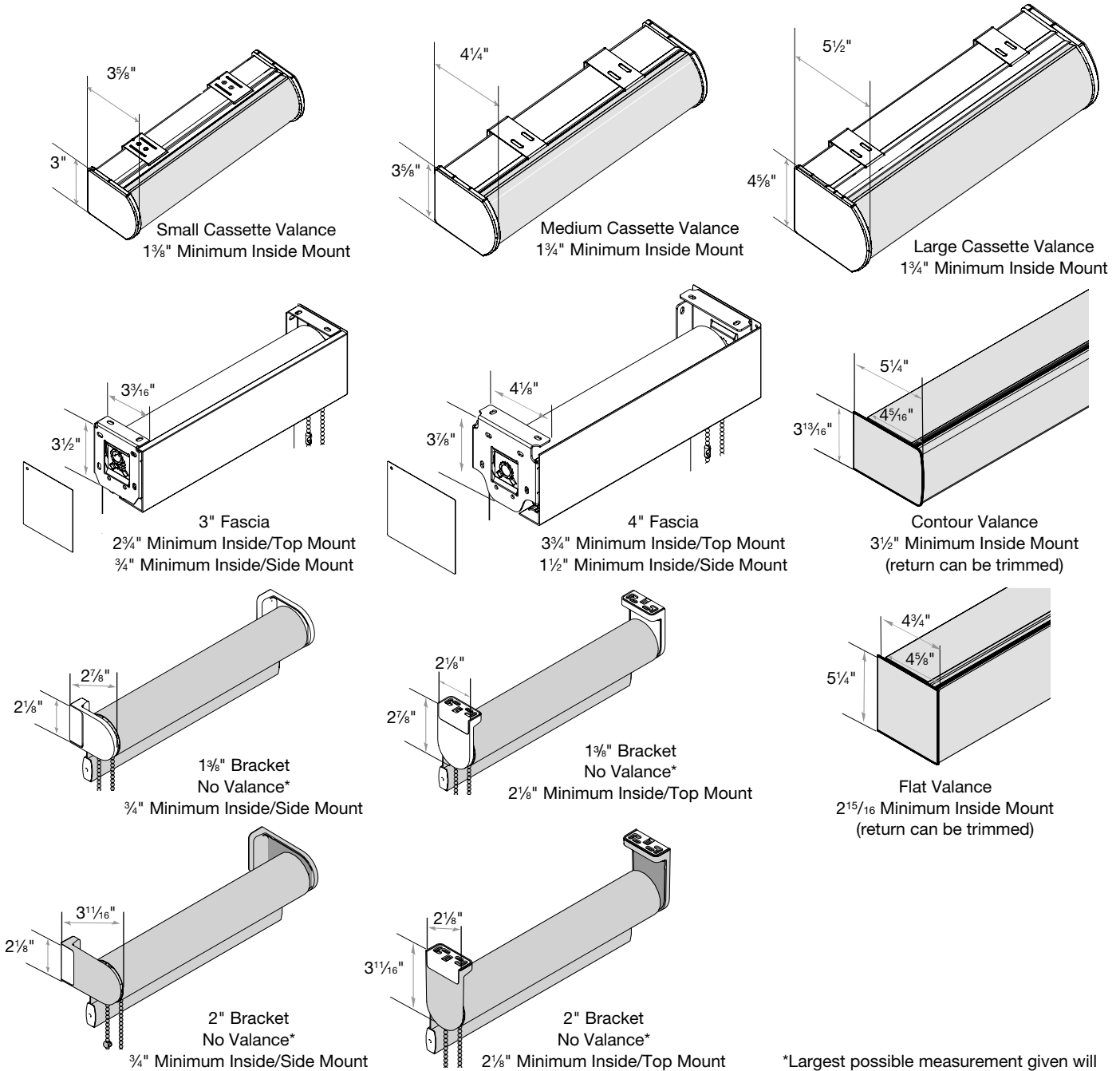
Flat Valance  
2 15/16" Minimum Inside Mount  
(return can be trimmed)

\*Largest possible measurement given will vary per fabric and window dimensions.

## Size Considerations

### EasyTouch Cordless Lift, EasyTouch Dual Lift, and Enclosed Loop EasyTouch Dual Lift: Mounting Depth Illustrations

The following diagrams illustrate the mounting depth requirements for shades mounted inside window casements.



\*Largest possible measurement given will vary per fabric and window dimensions.

### Control Lengths for Enclosed Loop Lift Cover

Finished Shade Height (inches)	Enclosed Loop Cover Length (inches)
up to 36	18
36 1/2 - 48	24
48 1/2 - 60	36
61 1/2 - 72	48
72 1/2 - 84	60

Finished Shade Height (inches)	Enclosed Loop Cover Length (inches)
84 1/2 - 96	72
96 1/2 - 108	84
108 1/2 - 120	96
120 1/2 - 144	108

**NOTE:** Enclosed Loop Cover in relation to the final shade length will vary between +/- 3 to 6 in. based on size of shade.

# Options

## Shade Options (for surcharges and pricing refer to price charts)

The following is a list of options for roller and solar shades. Options available with select styles and colors. Limitations are based on shade width and height. See detailed descriptions on the following pages.

### Control Type Options:

#### For surcharge, see price charts

- Continuous-Loop Lift (U.S. ONLY)
- Enclosed Loop Lift (Canada ONLY)
- Enclosed Loop EasyTouch Dual Lift (Canada ONLY)
- EasyTouch Cordless Lift
- EasyTouch Dual Lift (U.S. ONLY)
- Cordless lift
- Smart Pull Lift
  - Wand control
- Motorized lift (see motorization price charts)

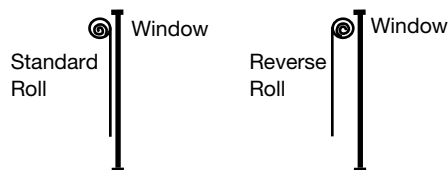
### Shade Options—No Charge

- Chain color (Black, Brown, Gray, Stainless Steel, Vanilla, and White)
- Chain guide color (Black, Brown, Gray, Vanilla, and White)
- EasyTouch Dual Lift: Cord Loop or bead chain
  - Cord loop colors (Bamboo, Coffee, Smokey Gray, Tender Taupe, Tuscany, White)
- Enclosed Loop EasyTouch Dual Lift: stainless steel chain
- Bay and corner windows
- Chain and Enclosed Loop Cover length depend on finished shade height. Customer can request a longer Enclosed Loop Cover or chain at time of order
- Chain location
- Fabric turned 90° (width for height)
- Hold down brackets
- Projection brackets 3¼" and 4"
- Reverse roll
- Returns for contour valance
- Returns for flat valance
- Reverse fabric
- Cassette valance inserts (different than shade)
- Cordless lift: cord tassels or clear hem grip

### Shade Options—Surcharge

- Contour valance
- Cassette valance
- Dual Shade (U.S. ONLY) or Enclosed Loop Dual Shade (Canada ONLY)
- Fascia
- Flat valance
- Scallop and gimp (not available with all control types)
- Bead trim
- Wood cornice and valance (see cornice and valance price charts)

## Reverse Roll

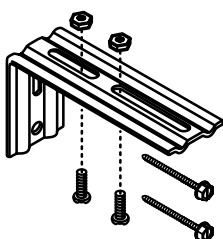


### • No charge

- Standard roll is where fabric rolls over the tube to the back
- Reverse roll is where the fabric rolls over the tube to the front
- Reverse roll not available with cassette valance, fascia valance, flat valance or contour valance
- Roll direction cannot be changed after shade is manufactured

**NOTE:** For optimal privacy and light control, standard roll should be used.

## Projection Brackets



### • No charge

- Available with EasyTouch Dual Lift, Enclosed Loop EasyTouch Dual Lift, EasyTouch Cordless Lift, Enclosed Loop Lift, Continuous-Loop Lift, and motorized lift with cassette on outside mounts
- Available with cordless lift and Smart Pull Lift on outside mounts
- Two sizes: 3¼" and 4"

# Options

## EasyTouch Cordless Lift

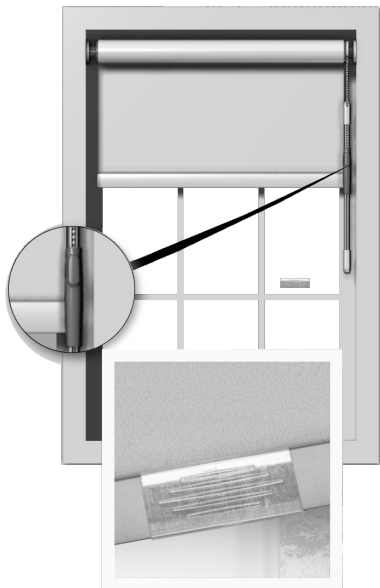


- **For surcharge, see price charts**
- Proprietary lift system with precision placement - raise and lower the shade by moving the hem bar exactly where you want it
- Light and smooth lift for all shade sizes
- Aesthetically beautiful mounting hardware that hides mechanicals
- Shade mounting is spring loaded on each end and will self-center between brackets when installed
- Pull force can be manually adjusted
- A safer alternative for homes with children or pets
- Clear hem grip included
- Not available with scallop
- Optional contour valance, cassette valance with fabric insert, fascia, flat valance or wood cornice
- Outside mount is recommended for maximum light control



Inside Mount Light Gap  
(Refer to light gap chart.)

## Enclosed Loop EasyTouch Dual Lift (Canada ONLY)



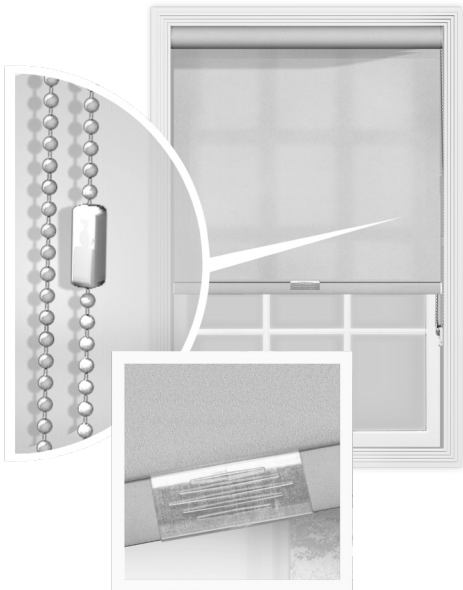
- **For surcharge, see price charts**
- Precision placement with two ways to operate the shade: 1) lower and raise shade by moving the hem bar exactly where you want it, or 2) raise the shade by moving the plastic grip toward the top of the window, then hold down the up-arrow button, while simultaneously pulling the grip down. Once you are at the bottom, release the button, reset the grip at the top, and repeat until your shade is at the desired height. To lower the shade, hold the down-arrow button and follow the same instructions
- Light and smooth lift for all shade sizes
- Aesthetically beautiful mounting hardware that hides mechanicals
- Self-centering for easy install
- Clear hem grip included
- Not available with scallop
- Chain and Enclosed Loop Cover length depend on finished shade height. Customer can request a longer Enclosed Loop Cover at time of order
- Enclosed Loop Cover provides the ability to keep the cord out of the reach of children and pets to enhance safety. Enclosed Loop Cover colors are selectable (white, cream, gray)
- Bead chain remains at same length, regardless of shade position
- Choose left or right cord location
- Optional contour valance, cassette valance with fabric insert, fascia, flat valance or wood cornice
- Outside mount is recommended for maximum light control



Inside Mount Light Gap  
(Refer to light gap chart.)

# Options

## EasyTouch Dual Lift (U.S. ONLY)



Inside Mount Light Gap  
(Refer to light gap chart.)

- **For surcharge, see price charts**
- Proprietary lift system with precision placement with two ways to operate the shade - raise and lower the shade by moving the hem bar exactly where you want it, or raise and lower using the cord.
- Light and smooth lift for all shade sizes
- Choice of bead chain or fabric cord
- One pull of the cord will raise the entire shade
- Aesthetically beautiful mounting hardware that hides mechanicals
- Self-centering for easy install
- Clear hem grip included
- Not available with scallop
- Bead chain length is approximately  $\frac{7}{8}$  of the length of shade; customer can request a longer chain length at time of order
- Bead chain remains at same length, regardless of shade position
- Color coordinated plastic bead chains are available (colors include: Black, Brown, Gray, Vanilla, and White)
- Color coordinated cords are available (colors include: Bamboo, Coffee, Smokey Gray, Tender Taupe, Tuscany, and White)
- Metal bead chains available (colors include: Brushed Nickel, Oil Rubbed Bronze, Brushed Bronze, and Stainless Steel)
- Safety cord guide provides the ability to keep the cord out of the reach of children and pets to enhance safety
- Choose left or right cord location
- Optional contour valance, cassette valance with fabric insert, fascia, flat valance or wood cornice
- Outside mount is recommended for maximum light control

**NOTE:** Cord guide must be installed to operate shade.

When operating the shade in cordless mode, using your fingers to lift it too quickly will cause the shade to billow. This is due to the added tension that has been added to the chain. To raise the shade in cordless mode, we recommend you grasp the clear plastic grip in the same way you would to lower the shade, then lift slowly, with care.

## Cordless Lift

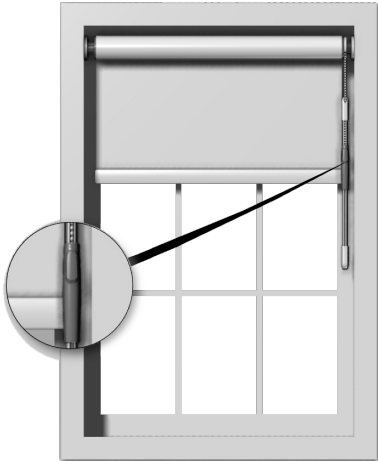


Inside Mount Light Gap  
(Refer to light gap chart.)

- **For surcharge, see price charts**
- Shade raises on its own after you pull down slightly and release the handle. To lower, pull the handle down to your desired position.
- Sleek look with no chains
- A safer alternative for homes with children or pets
- Shade raises and lowers smoothly and easily due to a unique dual speed braking system (shades less than 24" do not have a dual brake)
- Tension can be manually adjusted so shade always raises at desired speed
- Standard cord and tassels are color coordinated to fabric
- Optional wood tassels
  - Golden Oak . . . . . 31
  - Natural . . . . . 17
  - Walnut . . . . . 10
- Optional clear hem grip (not available with scallop)
- Optional contour valance, cassette valance with fabric insert, flat valance, or wood cornice
- Outside mount is recommended for maximum light control
- Cordless lift is not available with Muse 1%

# Options

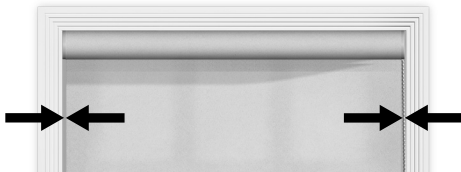
## Enclosed Loop Lift (Canada ONLY)



Inside Mount Light Gap  
(Refer to light gap chart.)

- **No charge**
- Spring idle end standard; stationary idle end available
- Beaded chain and clutch system makes raising and lowering shade easy
- Chain and Enclosed Loop Cover length depend on finished shade height. Customer can request a longer Enclosed Loop Cover at time of order
- Four clutch sizes depending on shade size
- Beaded chain remains at same length, regardless of shade position
  - Raise the shade by moving the plastic grip toward the top of the window, then hold down the up-arrow button, while simultaneously pulling the grip down. Once you are at the bottom, release the button, reset the grip at the top, and repeat until your shade is at the desired height. To lower the shade, hold the down-arrow button and follow the same instructions
- Enclosed Loop Cover colors are selectable (white, cream, gray)
- Choose left or right chain location
- Optional contour valance, cassette valance with fabric insert, fascia, flat valance, or wood cornice
- Outside mount is recommended for maximum light control

## Continuous-Loop Lift (U.S. ONLY)



Inside Mount Light Gap  
(Refer to light gap chart.)

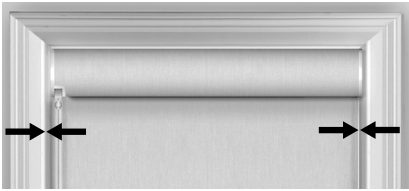
- **No charge**
- Spring idle end standard; stationary idle end available
- Beaded chain and clutch system makes raising and lowering shade easy
- Bead chain length is approximately  $\frac{2}{3}$  of the length of shade; customer can request a longer chain length at time of order
- Four clutch sizes depending on shade size
- Beaded chain remains at same length, regardless of shade position
- Color coordinated plastic bead chains and stainless steel bead chains are available (colors include: Black, Brown, Gray, Stainless Steel, Vanilla, and White)
- Safety chain guide provides the ability to keep the chain out of the reach of children and pets to enhance safety
  - NOTE:** Chain guide must be installed to operate shade.
- Choose left or right chain location
- Optional contour valance, cassette valance with fabric insert, fascia, flat valance, or wood cornice
- Outside mount is recommended for maximum light control

# Options

## Smart Pull Lift

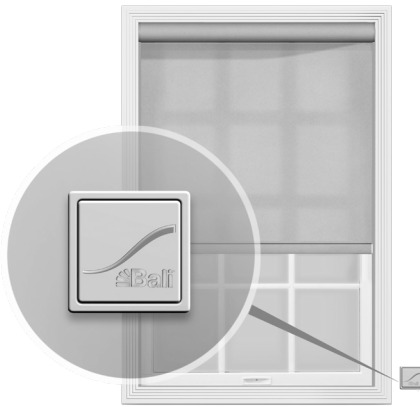


- **For surcharge, see price charts**
- Patented Smart Pull Lift
- Wand control available
- Great for hard to reach areas (e.g., behind kitchen sink)
- To raise the shade, pull the wand gently
- To lower the shade, pull the wand with a small quick tug
- The shade lowers easily and automatically; to stop the shade while it is lowering, gently pull the wand again
- Cassette valances are available as an option
- Hold down brackets are available
- Outside mount is recommended for maximum light control
- Optional contour valance, cassette valance with fabric insert, flat valance or wood cornice
- Smart Pull is not available with the following fabrics: Bristol, Muse, Plush, Santana, and Steppe



Inside Mount Light Gap Varies by Side  
(Refer to light gap chart)

## Motorized Lift



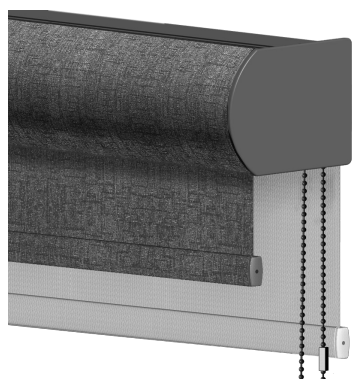
- **See motorization product information guide for additional options, sizing, and pricing**
- Allows for easy operation of hard-to-reach or large window coverings
- Efficiently manages energy (heat gain and loss)
- Motorized lift shades are cordless lift and are a safer choice for homes with children or pets
- Low-voltage motorization requires no costly electrical hard-wiring
- Available with multiple power source options and various control types
- Line voltage for light commercial application must be installed by a certified electrician
- Hold down brackets not available
- Available with standard or reverse roll; cassette and fascia valance only available with standard roll
- Optional contour valance, cassette valance with fabric insert, flat valance, or wood cornice
- Motor located on the left or right side; standard on the right

**NOTE:** Limited lifetime warranty—see motorization product information guide for motorization warranty details.



# Options

## Dual Shades (U.S. ONLY) or Enclosed Loop Dual Shades (Canada ONLY)



Dual Shade with Large Cassette Valance

### For surcharge, see price charts

Dual shades create versatile light control and privacy levels for any interior. The dual shade design integrates any two fabrics from the solar and roller collections, which can be independently lowered or raised as needed.

Combine the sheer, light-filtering, room-darkening, or blackout fabrics of your choice. Raise or lower each shade independently depending on time of day or need for privacy. Add a roller shade fabric to complement the room décor.

- Features the same Continuous-Loop (U.S. ONLY), Enclosed Loop (Canada ONLY), and Motorized Lift operation as our roller and solar shades
- Select fabrics available in sliding panels and vertical collections for whole-décor coordination

### Recommendations

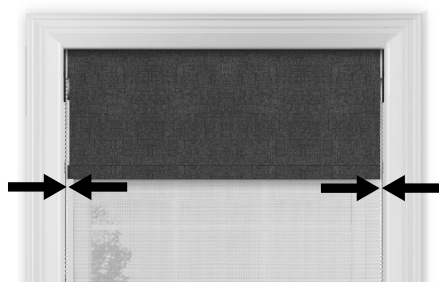
- Use the back shade or shade closest to the window for light regulation (recommended: solar, sheer, and blackout fabrics)
- For the front shade, select roller fabrics to match the room décor and maintain privacy
- Outside mount is recommended for maximum light control
- Select scallops and trims for a finishing touch (roller fabrics only)
- All Dual Shades can be Continuous-Loop Lift (US only), Enclosed Loop Lift (Canada only), or low-voltage Motorized Lift
- Only stainless steel chains are available in Canada; stainless steel and color-coordinated bead chains are available in the US in Black, Brown, and White
- Dual shades can be configured with the large cassette valance, 7½" Noble and Regal wood cornices
- 5½" Noble and Regal wood cornices are available only when dual shade has no cassette with inside mount and cornices are outside mount
- Curved, classic, and symphony valances are not available
- EasyTouch Cordless Lift, EasyTouch Dual Lift, Enclosed Loop EasyTouch Dual Lift, Cordless Lift, and Smart Pull Lift systems are not available
- Contour valance, flat valance and fascia are not available
- Hold down brackets are not recommended for dual shades
- For motorized lift shades, the multi-channel remote control is recommended

### Shade Configuration without Cassette Valance

- Front shade (closest to room) is always a reverse roll, providing a consistent, even look to the shade
- The back dual shade (shade closest to the window) can be a standard roll or reverse roll
- The front and back shade beaded chain can be positioned either left or right pull

### Shade Configuration with Cassette Valance

- Because two shades must fit into a single cassette valance, the dual shade requires the large cassette valance; small and medium cassette valances are not available
- The fabric for the fabric-wrapped cassette valance is selectable, either front or back shade fabric
- Front and back shades are standard roll
- The front and back shade beaded chain can be positioned either left or right pull



Inside Mount Light Gap  
(Refer to light gap chart.)

		Standard Roll	Reverse Roll	Left Control	Right Control	Motorized Lift
No Cassette	Front shade		•	•	•	•
	Back shade	•	•	•	•	•
Large Cassette	Front shade	•		•	•	•
	Back shade	•		•	•	•

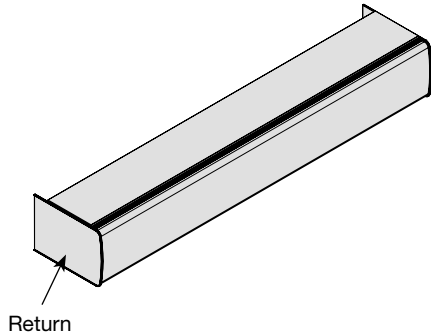
### To Price Your Order for Dual Shade

1. Select front shade control type (Enclosed Loop, Continuous-Loop, or motorized lift), size, color, and options.
2. Select back shade control type (Enclosed Loop, Continuous-Loop, or motorized lift), size, color, and options.
3. Add the front shade with options and the back shade with options.
4. If desired, add large cassette.
5. Add the dual shade surcharge (see price charts for dual shades).



# Options

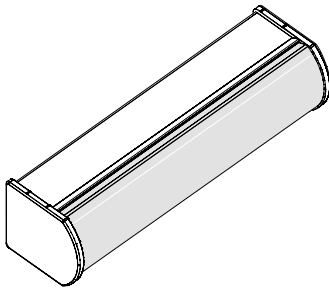
## Contour Valance



- **For surcharge, see price charts**
- A contoured PVC valance is available for most shades
- Spline and returns are color coordinated
- Custom length returns are available from 2" to 5¼"
- The contour valance is not available with the dual shade or reverse roll
- Maximum width of the contour valance depends on the maximum width of the chosen fabric and if the fabric can be rotated
- A valance only option is available for EasyTouch Dual Lift, Enclosed Loop EasyTouch Dual Lift, and EasyTouch Cordless Lift; single valance is available up to 144" in width to cover multiple shades with a single valance
- Valance fabric is not oriented to the shade fabric (e.g., on a patterned fabric, the pattern of the shade fabric and that of the valance fabric will not necessarily align)
- Not available for railroading on contour valances: Tahoe BO, Tahoe LF, Kyoto, Fiji BO, Fiji LF, Andes, EcoLiving, Boyden, Candid, Robin, SafeElements, Cora, Baybridge, EnviroStyle, Acadia BO, Acadia LF, Flecked, Harbor, Wales, Santina, Plush, Cascade, Bristol, and Landscape

**NOTE:** Returns can be trimmed to desired length with scissors or a utility knife.

## Cassette Valance



- **For surcharge, see price charts**
- A curved, sleek, aluminum-extruded, fabric-covered valance is available as a surcharge option
- Valance fabric is not oriented to the shade fabric (e.g., on a patterned fabric, the pattern of the shade fabric and that of the valance fabric will **not** necessarily align)

**NOTE:** The curved cassette valance must be ordered at the same time as the shade.

### Cassette Valance Availability

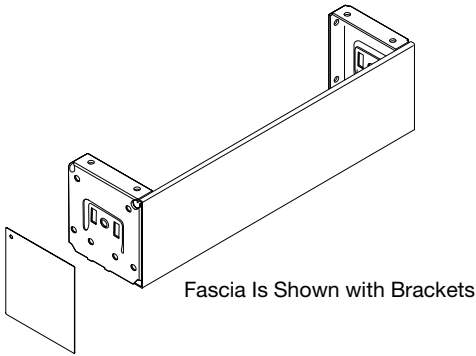
The cassette valance size is determined by multiple factors. Available cassette sizes by shade type are shown below.

	Small	Medium	Large
EasyTouch Cordless Lift	•	•	•
EasyTouch Dual Lift or Enclosed Loop EasyTouch Dual Lift	•	•	•
Enclosed Loop or Continuous-Loop Lift	•	•	•
Motorized Lift	•	•	•
Cordless Lift	•	•	
Smart Pull Lift	•	•	
Dual Shade or Enclosed Loop Dual Shade			•

**NOTE:** Fabric for cassette valances is turned width for height. In cases of normal fabric orientation, the pattern on the cassette valance runs perpendicular to the pattern on the shade. If the shade is railroaded, the pattern is the same.

# Options

## Fascia



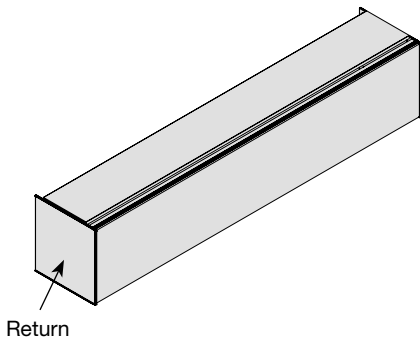
- **For surcharge, see price charts**
- Aluminum-extruded fascia is available in 3" and 4"
- Notchless fascia available (not available with SL30 clutch)
- Not available with Smart Pull Lift, cordless lift, and dual shades
- Color coordinated end covers are provided for outside mount
- Projection brackets are not available

**NOTE:** Fascia must be ordered at the same time as the shade.

### Fascia Colors

Black . . . . .	939
Bronze . . . . .	876
Clear Anodized . . . . .	875
Vanilla . . . . .	970
White . . . . .	871

## Flat Valance



- Modern 5" high flat profile
- Custom length returns are available from 2"– 4¾"
- A Flat PVC fabric-wrapped valance is available for most shades
- Spline and returns are color coordinated
- The flat valance is not available with dual shade or reverse roll
- Maximum width of the flat valance depends on the maximum width of the chosen fabric and if the fabric can be rotated
- Valance fabric is not orientated to the shade fabric (e.g., on a patterned fabric, the pattern of the shade fabric and that of the valance fabric will not necessarily align)
- Not available for railroading on flat valances: Tahoe BO, Tahoe LF, Kyoto, Fiji BO, Fiji LF, Andes, EcoLiving, Boyden, Candid, Robin, SafeElements, Cora, Baybridge, EnviroStyle, Acadia BO, Acadia LF, Flecked, Harbor, Wales, Santina, Plush, Cascade, Bristol, and Landscape

**NOTE:** Returns can be trimmed to desired length with scissors or a utility knife.

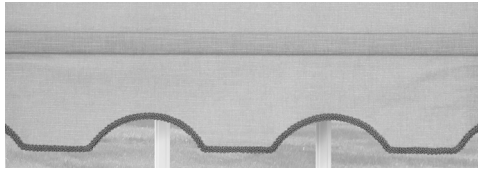
## Control Lengths for Smart Pull Wand

Finished Shade Height (inches)	Wand Length (inches)
up to 24	12
24½ - 36	18
36½ - 48	24
48½ - 60	30
60½ - 72	36
72½ - 84	42
84½ - 96	48
96½ - 120	54

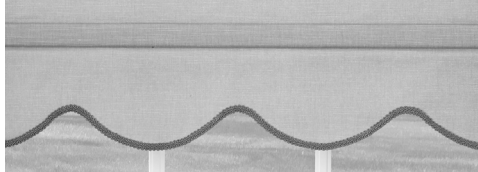
**NOTE:** Enclosed Loop Cover in relation to the final shade length will vary between +/- 3 to 6 in. based on size of shade.

# Options

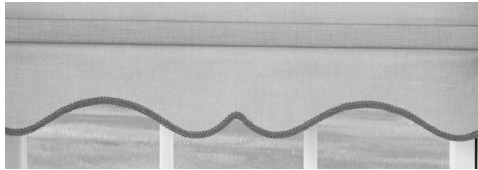
## Roller Shades: Scallop Options



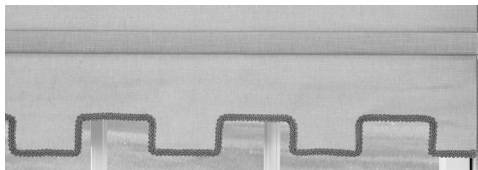
Cathedral



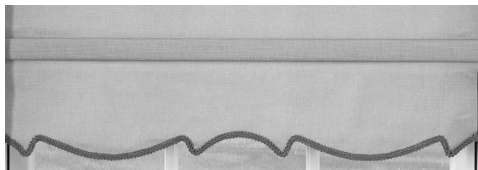
Classic



Colonial



Dentil

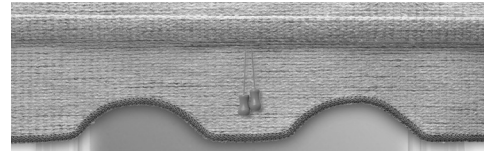


Provence

- For surcharge, see price charts
- Not available with solar shades
- Not available with EasyTouch Cordless Lift, EasyTouch Dual Lift, or Enclosed Loop EasyTouch Dual Lift
- The finished shade height is measured at the hem bar; scallops extend 5¾" past the hem bar
- Patterns are centered as pictured and repeat across the width of the shade

**NOTE:** Scallop is not available for the following fabrics: Boyden, Everly, Gaberdine, Hopewell

Scallop Style	Pattern Repeat (inches)
Cathedral	11¼
Classic	10
Colonial	18
Dentil	8
Provence	18



Cordless Lift Option with Tassels

# Options

## Roller Shades: Gimp Option



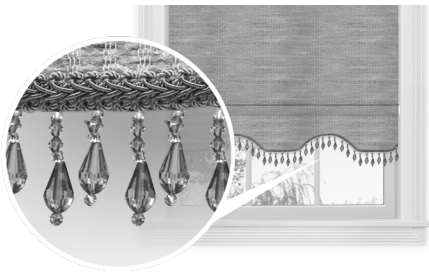
- **Surcharge included with scallop option**
- You must choose a gimp when ordering a scallop or trim
- Option applied to scallop

### Gimp

Black . . . . .	156	Rock Gray . . . . .	399
Cream . . . . .	715	Stucco . . . . .	963
Dark Beige . . . . .	350	Toffee . . . . .	296
Maize . . . . .	02	White . . . . .	417



## Roller Shades: Bead Trim Option



- **For surcharge, see price charts**
- Must order gimp, in addition to bead trim
- Bead trim not available on solar shade material

### 1" Teardrop Bead Trim

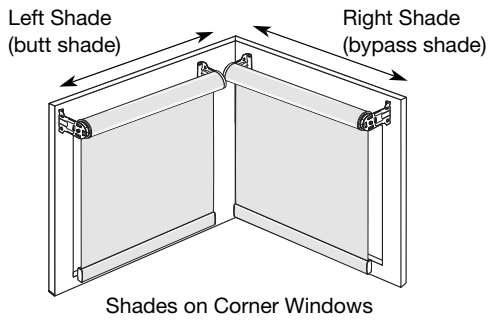
Antique Rose . . . . .	206	Sand . . . . .	204
Bronze . . . . .	201	White . . . . .	205
Light Gold . . . . .	202		



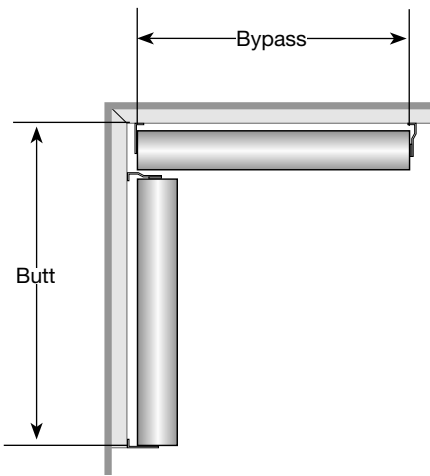
1" Teardrop Bead Trim

# Options

## Corner Windows



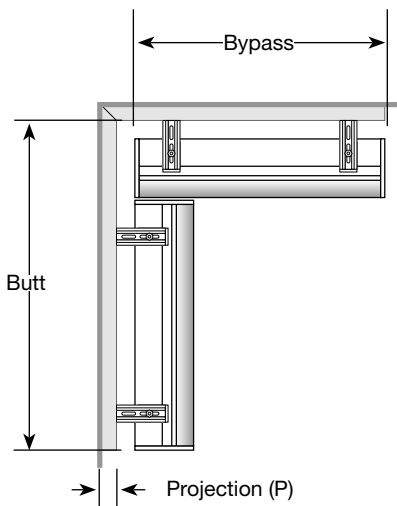
- **No charge**
- Made as individual shades
- Each shade has its own control; we recommend opposite corners
- Indicate for each shade whether left or right, and butt or bypass
- Bypass shade is mounted into the corner; butt shade is butted to the other shade
- Manufacturer takes appropriate deductions for proper fit; **DO NOT** order as a corner shade if you do not want manufacturer to take deductions
- Valances create larger gap between shades
- Not available with side channels



### Measuring Information

#### Mounting on a Wall or Molding

Measure the width of each window from the corner on the mounting surface (molding or wall) to the point you would like to cover.



#### Mounting Above the Molding

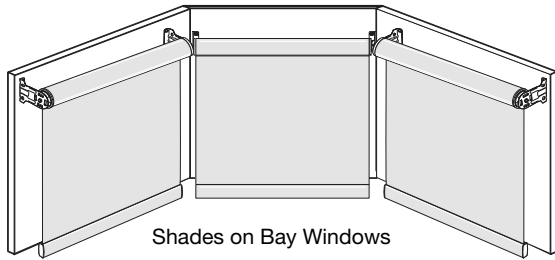
Measure the width of each window from the corner on the mounting surface to the point you would like to cover.

Projection measurement is the distance needed to clear any molding or obstructions that the shade will be mounted above.

**NOTE:** The projection (P) distance is needed to correctly calculate deductions for installations where the shades will use shims or projection brackets to clear molding. All projection distances must match for correct deductions to be calculated.

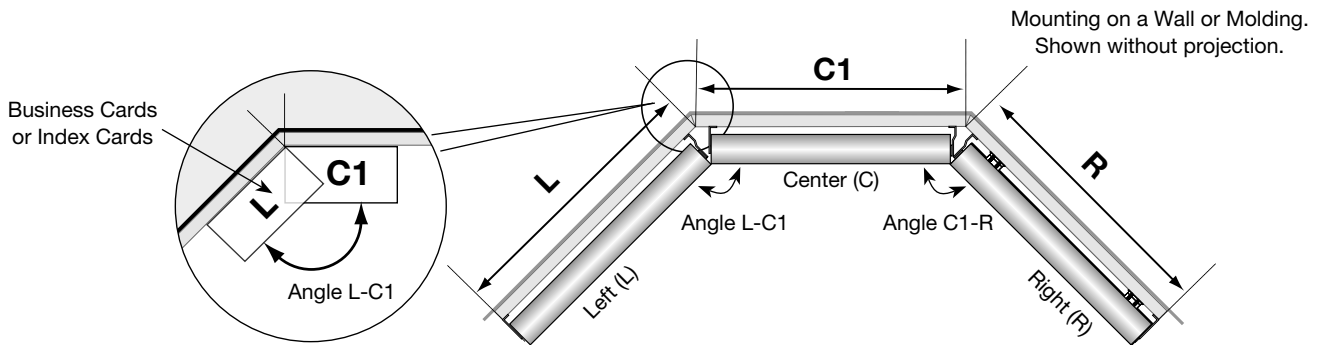
# Options

## Bay Windows



- **No charge**
- Made as individual shades
- Each section will have its own control
- Manufacturer will take appropriate deductions for proper fit; **DO NOT** order as a bay window shade if you do not want manufacturer to take deductions
- Not available with side channels
- **Valances will create a larger gap between shades**

### Measuring Information: Three-Sided Bay Window

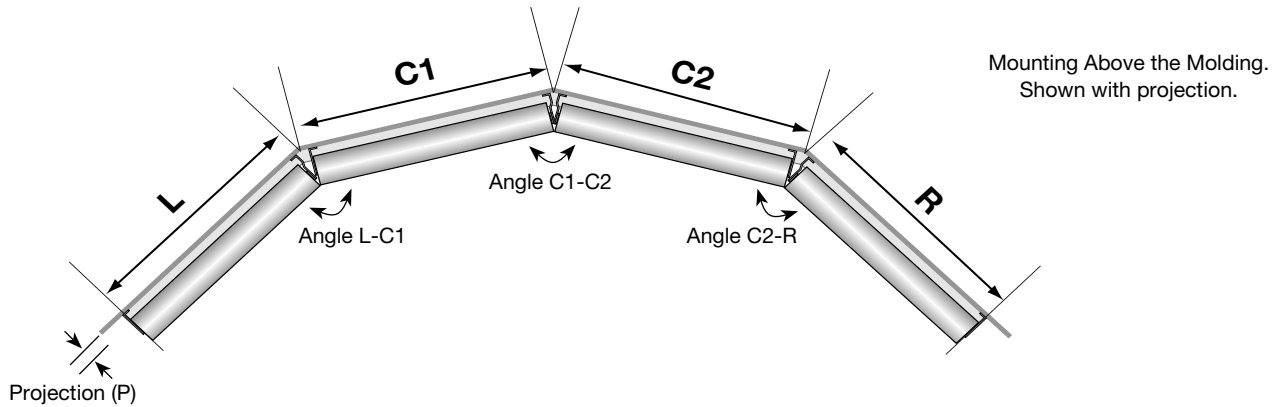


**Measure:**

- L and R:** Width of each side window from the corners on the mounting surface to the point you would like to cover.
- C1:** Width of the center window on the mounting surface from corner to corner.

- Angle L-C1:** Angle between the (L) and (C1) windows.
- Angle C1-R:** Angle between the (C1) and (R) windows.
- Projection:** If needed: The depth of the trim or molding the shade will be mounted above.

### Measuring Information: Four-Sided Bay Window



**Measure:**

- L and R:** Width of each side window from the corners on the mounting surface to the point you would like to cover.
- C1, C2:** Width of each center window on the mounting surface from corner to corner.

- Angle L-C1:** Angle between the (L) and (C1) windows.
- Angle C1-C2:** Angle between the (C1) and (C2) windows.
- Angle C2-R:** Angle between the (C2) and (R) windows.
- Projection (P):** If needed: The depth of the trim or molding the shade will be mounted above.

**NOTE:** The projection (P) distance is needed to correctly calculate deductions for installations where the shades will use shims or projection brackets to clear trim or molding. All projection distances must match for correct deductions to be calculated. For additional windows on bays with up to five sides, continue with number progression for center shade sizes (C1, C2, C3...) and angles (angle C1-C2, angle C2-C3...) as needed. Measure each bay angle using a protractor or angle finder or use two business cards in each bay corner as illustrated above, trace on paper, and fax to customer service.

**The angle to use between adjacent center bay windows along a straight section of wall is 180° (degrees).**

# General Information

## EasyTouch Cordless Lift Shade Product Detail

### Projection Bracket (optional)

- Medium 3¼"
- Long 4"

### Flat Valance (optional)

- Fabric covered to match shade

### Flat Valance Returns

- Color coordinated and fabric covered to match shade

### Contour Valance (optional)

- Fabric covered to match shade

### Contour Valance Returns

- Color coordinated and fabric covered to match shade

### Fascia Bracket

- Secures shade and fascia
- Can be top, side, or back mounted
- Color coordinated end covers are provided for outside mounts

### Fascia (optional)

- 3" and 4" sizes
- Available in Black, Bronze, Clear Anodized (Silver), Vanilla, and White
- Must order with shade

### Cassette Valance (optional)

- Cassette valance is a sleek, aluminum-extruded cassette system covered in fabric to match shade
- End caps color coordinated to fabric
- Cassette valance has shade assembled in the valance

### Mounting Bracket

- Universal bracket for control and idle end
- Color coordinated to shade fabric can be top, back, or side mounted
- Aesthetically beautiful mounting hardware that covers and hides shade mechanics

### Self-Centering Plunger

- Self-centering for easy install

### Hold Down Bracket (optional)

- Secures shade to door, wall, or window sill
- Clear plastic

### Shade Fabric

- Roller styles ranging from light- and dark-colored solids to beautiful jacquard weaves
- Solar fabric ranges from 1% to 10% openness

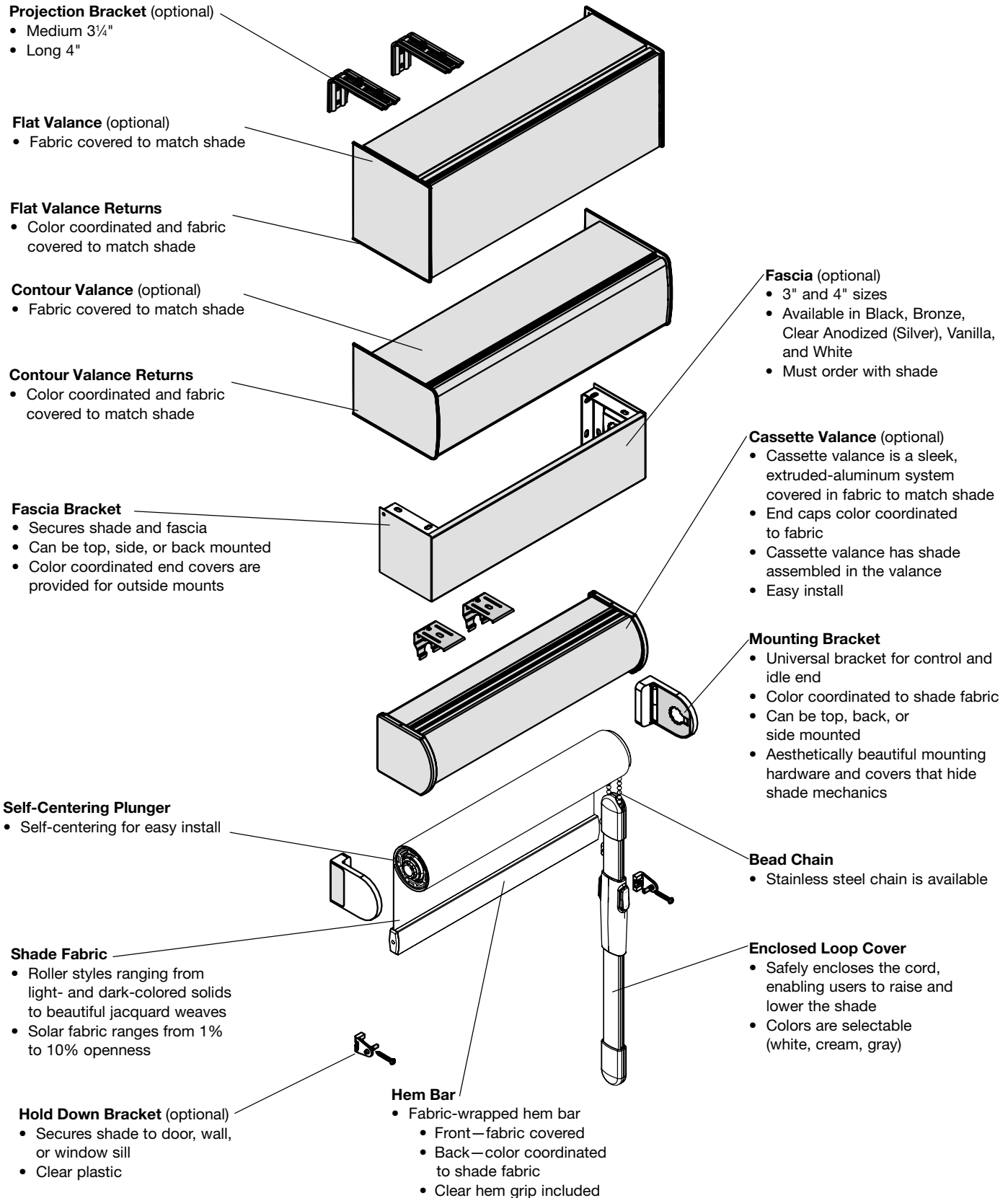
### Hem Bar

- Fabric-wrapped hem bar
  - Front—fabric covered
  - Back—color coordinated to shade fabric
  - Clear hem grip included

**NOTE:** Cordless lift shades should only be used on windows where consumers can comfortably raise and lower the shade with their hand and have easy access. Very high or hard-to-reach should use EasyTouch Dual Lift, Enclosed Loop EasyTouch Dual Lift, Enclosed Loop Lift, Continuous-Loop Lift, Smart Pull Lift, or motorized lift shades, rather than cordless lift.

# General Information

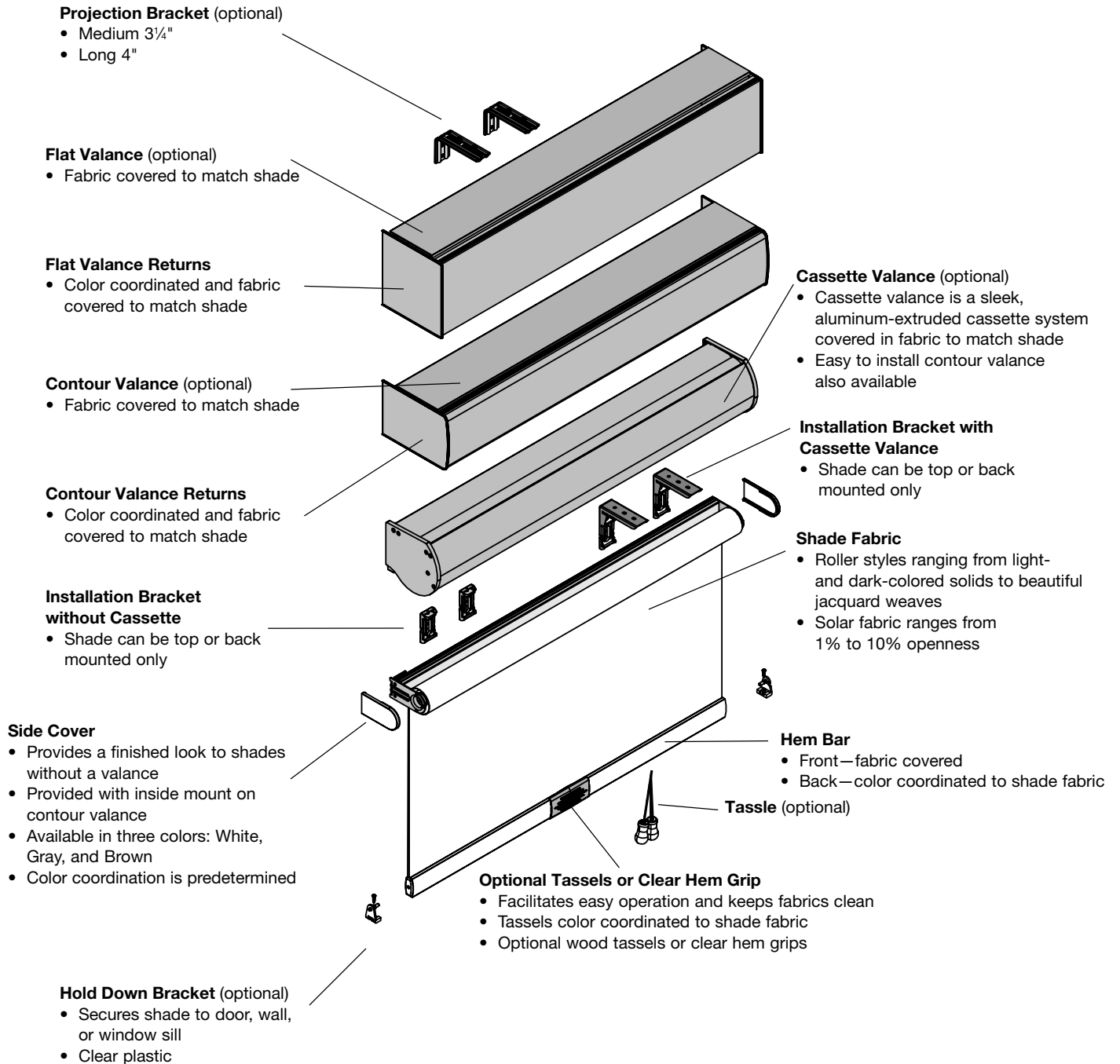
## Enclosed Loop EasyTouch Dual Lift Shade Product Detail (Canada ONLY)





# General Information

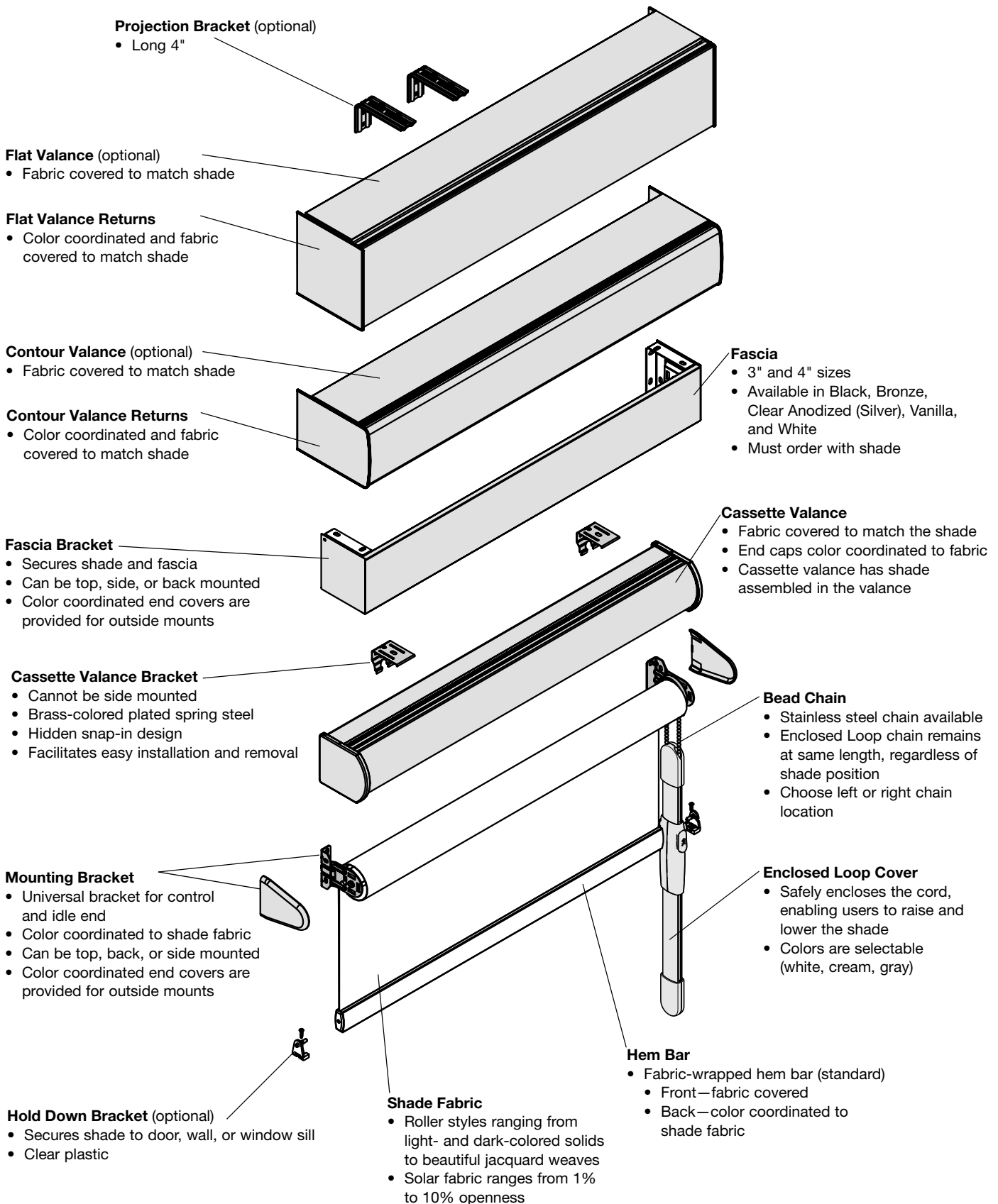
## Cordless Lift Shade Product Detail



**NOTE:** Cordless lift shades should only be used on windows where consumers can comfortably raise and lower the shade with their hand and have easy access. Very high or hard-to-reach should use EasyTouch Dual Lift, Enclosed Loop EasyTouch Dual Lift, Enclosed Loop Lift, Continuous-Loop Lift, Smart Pull Lift, or motorized lift shades, rather than cordless lift.

# General Information

## Enclosed Loop Shade Product Detail (Canada ONLY)



# General Information

## EasyTouch Dual Lift Shade Product Detail (U.S. ONLY)

### Projection Bracket (optional)

- Medium 3¼"
- Long 4"

### Flat Valance (optional)

- Fabric covered to match shade

### Flat Valance Returns

- Color coordinated and fabric covered to match shade

### Contour Valance (optional)

- Fabric covered to match shade

### Contour Valance Returns

- Color coordinated and fabric covered to match shade

### Fascia Bracket

- Secures shade and fascia
- Can be top, side, or back mounted
- Color coordinated end covers are provided for outside mounts

### Fascia (optional)

- 3" and 4" sizes
- Available in Black, Bronze, Clear Anodized (Silver), Vanilla, and White
- Must order with shade

### Cassette Valance (optional)

- Cassette valance is a sleek, extruded-aluminum system covered in fabric to match shade
- End caps color coordinated to fabric
- Cassette valance has shade assembled in the valance
- Easy install

### Mounting Bracket

- Universal bracket for control and idle end
- Color coordinated to shade fabric
- Can be top, back, or side mounted
- Aesthetically beautiful mounting hardware and covers that hide shade mechanics

### Self-Centering Plunger

- Self-centering for easy install

### Shade Fabric

- Roller styles ranging from light- and dark-colored solids to beautiful jacquard weaves
- Solar fabric ranges from 1% to 10% openness

### Hold Down Bracket (optional)

- Secures shade to door, wall, or window sill
- Clear plastic

### Bead Chain (pictured) or Cord Loop

- Choice of bead chain or cord loop
- One full pull of the cord will raise the entire shade
- Color coordinated cords, or plastic bead chains are available (colors include: Black, Brown, Gray, Vanilla, and White)
- Metal bead chains available (colors include: Brushed nickel, oil rubbed bronze, brushed bronze, and stainless steel)
- Choose left or right chain location

### Hem Bar

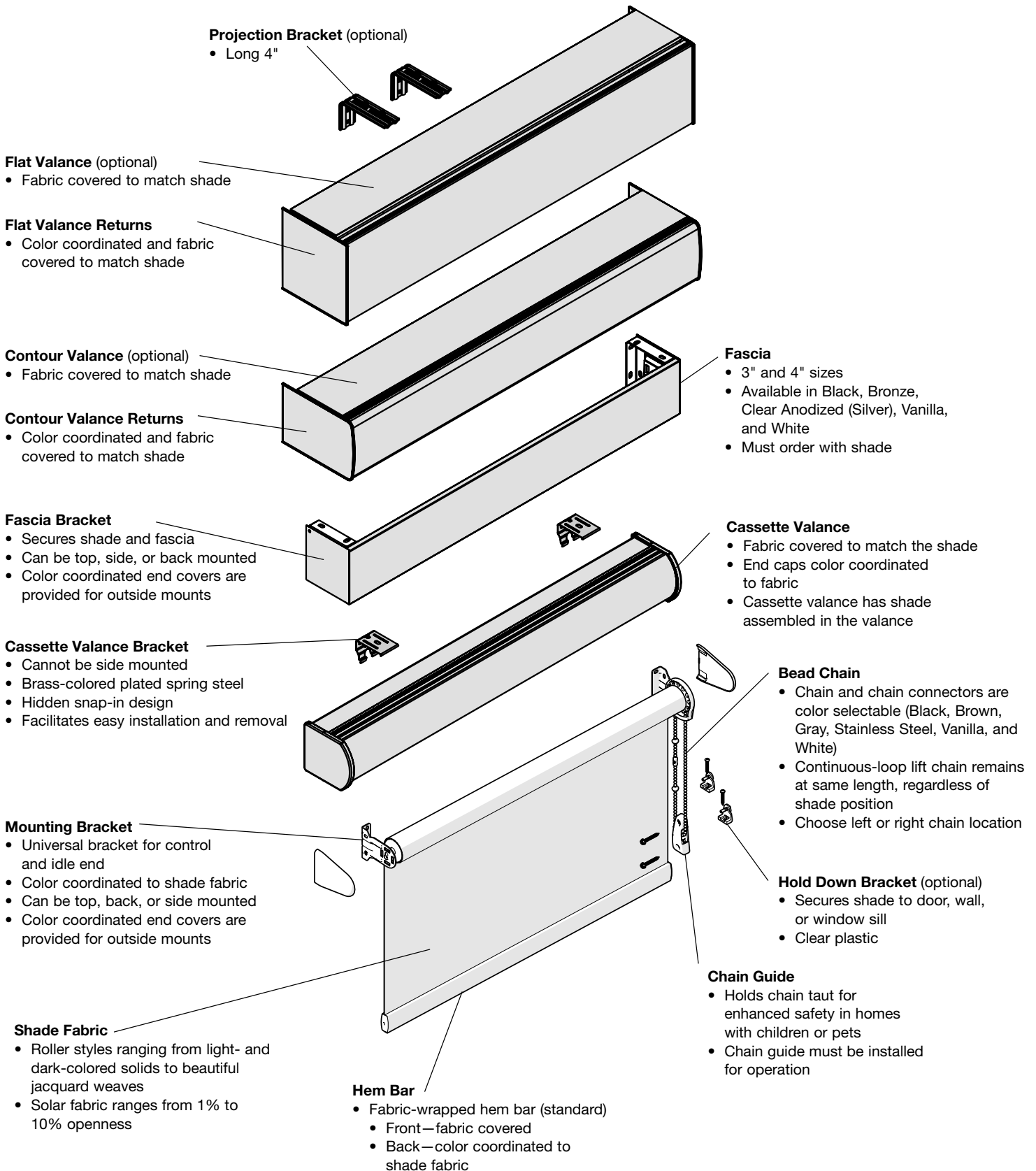
- Fabric-wrapped hem bar
  - Front—fabric covered
  - Back—color coordinated to shade fabric
- Clear hem grip included

### Chain Guide

- Holds chain or cord taut for enhanced safety in homes with children or pets
- Chain guide must be installed for operation

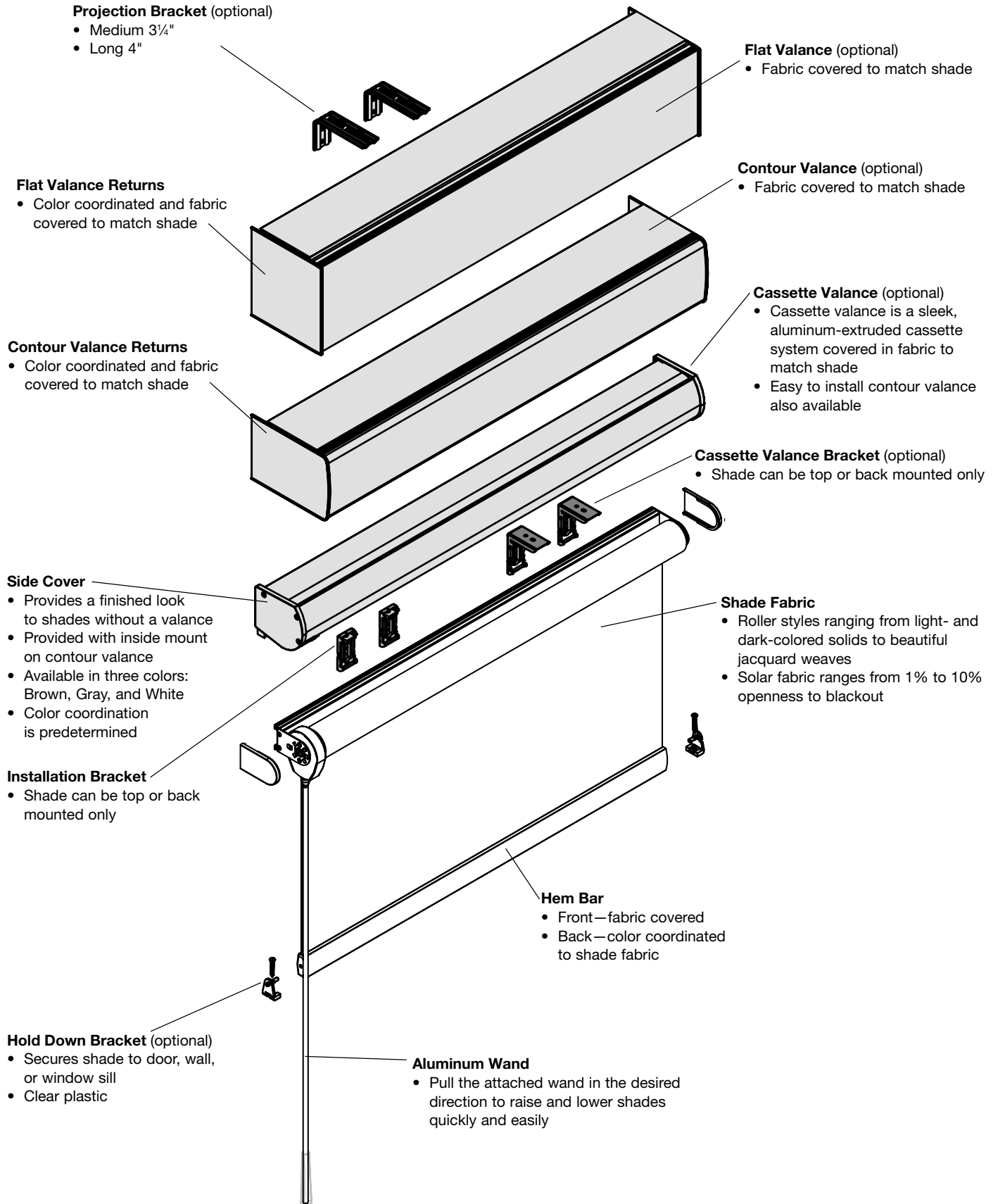
# General Information

## Continuous-Loop Lift Shade Product Detail (U.S. ONLY)



# General Information

## Smart Pull Lift Shade Product Detail



# General Information

## Enclosed Loop Dual Shade Product Detail (Canada ONLY)

### Dual Shade Shown with Cassette Valance

#### Cassette Valance Brackets

- Shade cannot be side mounted
- Brass-colored plated spring steel
- Hidden snap-in design
- Facilitates easy installation and removal of shade

#### End Cover for Cassette Valance

- Conceals and coordinates bracket hardware
- Five colors: Black, Brown, Gray, Vanilla, and White
- Color coordination is matched to front shade

#### Beaded Chains

- Stainless steel chain is available
- Chains can be the same side or opposite sides of front and back shade

#### Enclosed Loop Cover

- Safely encloses the cord, enabling users to raise and lower the shade
- Colors are selectable for front or back shade (white, cream, gray)

#### Cassette Valance

- Fabric-wrapped cassette end caps match the shade fabric
- The fabric for the cassette is selectable
- Large size available

#### Shade Fabric

- Roller and solar styles ranging from light- and dark-colored solids to beautiful jacquard weaves
- Solar fabric ranges from 1% to 18% openness

#### Hem Bar

- Front of hem bar—fabric covered
- Back of hem bar—color coordinated to shade fabric

### Dual Shade Shown without Cassette Valance

#### Dual Shade Bracket

(without cassette valance)

- Side, ceiling, or back mount
- Color coordinated to shade fabric

#### Bracket Cover

(without cassette valance)

- Conceals and coordinates bracket hardware
- Four colors: Black, Gray, Vanilla, and White
- Color coordination is matched to front shade

#### Beaded Chains

(second chain not visible)

- Stainless steel chain is available
- Chains can be the same side or opposite sides of front and back shade

**NOTE:** Dual shades are also available with motorized lift.

#### Shade Fabric

- Roller and solar styles ranging from light and dark colored solids to beautiful jacquard weaves
- Solar fabric ranges from 1% to 10% openness

#### Hem Bar

- Front of hem bar—fabric covered
- Back of hem bar—color coordinated to shade fabric

#### Enclosed Loop Cover

- Safely encloses the cord, enabling users to raise and lower the shade
- Colors are selectable for front or back shade (white, cream, gray)

# General Information

## Dual Shade Product Detail (U.S. ONLY)

### Dual Shade Shown with Cassette Valance

#### Cassette Valance Brackets

- Shade cannot be side mounted
- Brass-colored plated spring steel
- Hidden snap-in design
- Facilitates easy installation and removal of shade

#### End Cover for Cassette Valance

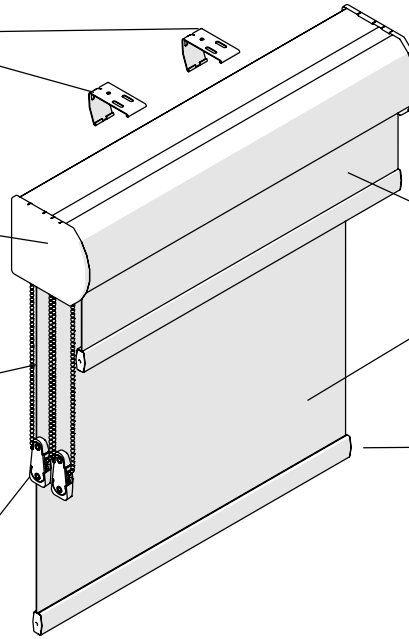
- Conceals and coordinates bracket hardware
- Five colors: Black, Brown, Gray, Vanilla, and White
- Color coordination is matched to front shade

#### Bead Chains

- Colors are selectable for front or back shade (Black, Brown, Stainless Steel and White)
- Chains can be the same side or opposite sides of front and back shade

#### Chain Guide

- To enhance safety in homes with children or pets, the chain guide must be installed for operation



#### Cassette Valance

- Fabric-wrapped cassette end caps match the shade fabric
- The fabric for the cassette is selectable
- Large size available

#### Shade Fabric

- Roller and solar styles ranging from light- and dark-colored solids to beautiful jacquard weaves
- Solar fabric ranges from 1% to 18% openness

#### Hem Bar

- Front of hem bar—fabric covered
- Back of hem bar—color coordinated to shade fabric

### Dual Shade Shown without Cassette Valance

#### Dual Shade Bracket

(without cassette valance)

- Side, ceiling, or back mount
- Color coordinated to shade fabric

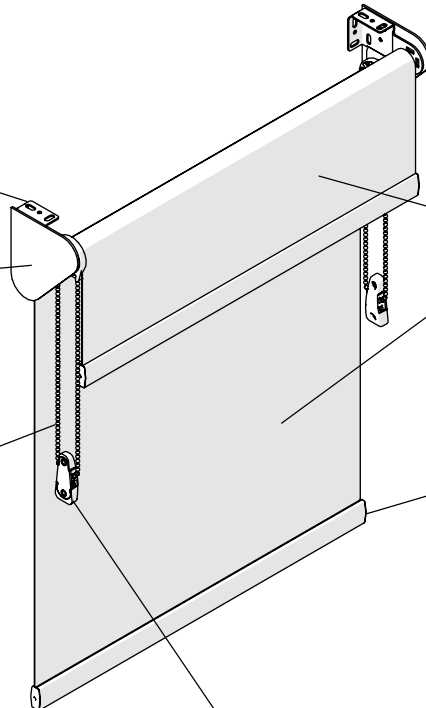
#### Bracket Cover

(without cassette valance)

- Conceals and coordinates bracket hardware
- Four colors: Black, Gray, Vanilla, and White
- Color coordination is matched to front shade

#### Bead Chains

- Colors are selectable for front or back shade (Plastic white, brown, black or stainless steel.)
- Chains can be the same side or opposite sides of front and back shade



**NOTE:** Dual shades are also available with motorized lift.

#### Shade Fabric

- Roller and solar styles ranging from light and dark colored solids to beautiful jacquard weaves
- Solar fabric ranges from 1% to 10% openness

#### Hem Bar

- Front of hem bar—fabric covered
- Back of hem bar—color coordinated to shade fabric

#### Chain Guide

- To enhance safety in homes with children or pets, the chain guide must be installed for operation



Bali is a brand of Springs Window Fashions, the Best Experience Company

Bali and the Bali logo are registered trademarks of Springs Window Fashions, LLC.

(5/24) 24-519202