

EXTERIOR SOLAR SHADES

Product Information Guide

Features

Summary	2
Fabric Styles and Information: Exterior Solar Shades	2
Light Gaps	3
Fabric Recommendations	3
Fabric Disclaimers	3
Large Window Sizing	3
Light Control and Privacy	3
Fabric Certifications	3

Size Considerations

Continuous Loop Lift: Maximum Shade Size	4
How to Determine Maximum Shade Size	4
Planning for Installation of Exterior Shades	4
Depth Requirements for Inside Mount	5

Options

Summary	6
Reverse Roll	6
Continuous Loop Lift	6
Square and Round Cassette Valance	6

General Information

Exterior Continuous Loop Lift Product Detail	7
Cleaning Instructions	7



MARCH 2026

Features

Summary

Exterior Solar Shades Expand Your Outdoor Living Space

- Maintain an outdoor view
 - Filter and diffuse light while maintaining an outward view
 - The higher the openness factor and the darker the fabric, the clearer the view
- Manage glare
 - Minimize glare on televisions and home office computers
 - The darker the fabric color, the better the glare control and visibility
- Block damaging UV rays
 - The amount of UV ray blockage is the inverse of a fabric's openness factor (i.e., a fabric with 10% openness blocks 90% of UV rays)
 - Protect furniture, carpets, artwork, etc. from fading due to harmful UV rays

- Temperature control
 - Exterior shades reduce solar heat gain before it enters the house, reducing air conditioning costs
 - Solar fabrics reduce heat transmittance, keeping rooms cooler and increasing the comfort level in your home
 - The lighter the fabric color, the better the temperature control

IMPORTANT: Shades should be raised when winds exceed 13 to 18 miles per hour.

Fabric Styles and Information: Exterior Solar Shades

Style Name	Openness	UV Blockage	Fabric Composition	Useable Fabric Width (inches)	GREENGUARD Certified®	Antifungal	FR Rated	Can be Railroaded Turned 90° (width for height)	Color Number
Feedback 1%	1%	99%	21% Polyester/ 79% Vinyl on Polyester	124	•	•	•	•	47907, 47908, 47914
			24% Polyester/ 76% Vinyl on Polyester						47901, 47906
			25% Polyester/ 75% Vinyl on Polyester						47910
Feedback 3%	3%	97%	21% polyester/ 79% vinyl on polyester	124	•	•	•	•	48208
			24% Polyester/ 76% Vinyl on Polyester						48201
Feedback 5%	5%	95%	16% Polyester/ 84% Vinyl on Polyester	124	•	•	•	•	48310
			21% Polyester/ 79% Vinyl on Polyester						48307, 48308, 48314
			24% Polyester/ 76% Vinyl on Polyester						48301
Feedback 10%	10%	90%	21% Polyester/ 79% Vinyl on Polyester	116	•	•	•	•	48408
			24% Polyester/ 76% Vinyl on Polyester						48401
Muse 1%	1%	99%	19% Polyester/ 81% Vinyl on Polyester	116	•	•	•	•	47601, 47612
			25% Polyester/ 75% Vinyl on Polyester						47604, 47607, 47609, 47610
Muse 5%	5%	95%	13% Polyester/ 87% Vinyl on Polyester	116	•	•	•	•	47801, 47812
			25% Polyester/ 75% Vinyl on Polyester						47804, 47807, 47809, 47810

Features

Light Gaps

A light gap will be present on inside mounted shades. An outside mount with overlap is recommended to eliminate light gap.

Control Type	Light Gap Per Side (inches)
Continuous Loop Lift No Cassette	$\frac{3}{16}$ to $\frac{13}{16}$
Continuous Loop Lift with Cassette	$\frac{3}{16}$ to $1\frac{1}{16}$

Fabric Recommendations

Please order all shades at the same time to ensure color consistency and minimize dye lot variation.

Fabric Disclaimers

Due to the nature of the weaving process, some imperfection in the weave is normal.

Roll direction cannot be reversed after a shade is ordered.

Fabric appearance can vary based on changing lighting conditions.

Fabrics turned width for height (referred to as railroaded) may curl along the edge. With extremely wide or railroaded shades, a V shape may appear in the center of the panel. This is expected behavior and occurs due to the weight of the fabric. This is not a defect in the product.

Fabric Certifications

GREENGUARD Indoor Air Quality Certified® Fabrics: Many Bali® fabrics have been certified by GREENGUARD Environmental Institute (GEI) to be low chemical and particle emitting fabrics, providing a healthier indoor air quality. The process used for certification complies with established indoor air quality standards and is performed by a third party lab. Please see baliblinds.com for more information.

greenguard.org

GREENGUARD Indoor Air Quality Certified is a registered trademark of the GREENGUARD Environmental Institute.



Antimicrobial
& Antifungal

Large Window Sizing

Some fabrics can be turned 90° clockwise (width for height) to accommodate wider windows. In these cases some solar fabrics can be seamed for longer lengths. Fabrics turned width for height (referred to as railroaded) may curl along the edge. This is not a defect in the product.

Light Control and Privacy

Privacy: Solar shades do not offer nighttime privacy—lighted interiors allow inward visibility. If complete privacy is desired, consider adding an additional window treatment.



Size Considerations

Continuous Loop Lift: Maximum Shade Size

MAXIMUM SHADE SIZE EXTERIOR SHADES																
Valance Type	NORMAL FABRIC ORIENTATION						FABRIC TURNED WIDTH FOR HEIGHT (RAILROADED)									
	Continuous Loop Medium Square/Round Cassette		Continuous Loop Large Square/Round Cassette/ No Cassette/ No Valance		120V Motor Large Cassette		Continuous Loop Medium Square/Round Cassette		Continuous Loop Large Square/Round Cassette/ No Cassette/ No Valance at Max Length		Continuous Loop Large Square/Round Cassette/ No Cassette/ No Valance at Max Width		120V Motor Large Cassette at Max Length		120V Motor Large Cassette at Max Width	
	Width	Height	Width	Height	Width	Height	Width	Height	Width	Height	Width	Height	Width	Height	Width	Height
Bali Collection																
Feedback 1% (Antler; Coconut Milk; Fresh Fawn)	107	121	124	144	124	144	109	111	144	108	144	108	138	109	144	104
Feedback 1% (Frostine; Shiny Nickel; Americano; Mineral Point; Farmhouse White)	107	121	124	144	124	144	109	111	144	108	144	108	138	109	144	104
Feedback 10% (Frostine; Shiny Nickel; Mineral Point; Farmhouse White)	110	133	116	144	116	144	115	103	115	103	144	100	144	101	144	96
Feedback 3% (Frostine; Shiny Nickel; Mineral Point; Farmhouse White)	107	128	124	144	124	144	110	111	144	108	144	108	139	109	144	104
Feedback 5% (Antler; Coconut Milk; Fresh Fawn)	108	135	124	144	124	144	112	111	144	108	144	108	141	109	144	104
Feedback 5% (Frostine; Shiny Nickel; Americano; Mineral Point; Farmhouse White)	108	135	124	144	124	144	112	111	144	108	144	108	141	109	144	104
Muse 1%	74	109	116	124	116	144	74	106	139	100	139	100	131	101	144	78
Muse 5%	74	119	116	136	116	144	76	106	141	100	141	100	134	101	144	85

Due to continuous manufacturing improvements, minimums and maximums are subject to change. Please call customer service for up-to-date size considerations. These tables provide the maximum shade size available by fabric and cassette. Seams may be added to fabrics to accommodate long shade requirements. For shades longer than material width, seams will be visible when the shade is fully extended.

How to Determine Maximum Shade Size

Follow these easy steps to determine maximum shade size and valance size from the maximum shade size tables.

1. Determine your fabric style, shade size, square or round cassette, or no cassette option for continuous loop lift.
2. Find the fabric in the first column.
3. Determine if your shade size is within the normal fabric orientation size range.
4. Identify the appropriate size cassette (or no cassette for continuous loop lift) for your shade size.
5. If your shade size is larger than either the maximum width or height range, your fabric may be able to be turned width for height for larger shades. Use the fabric turned width for height (railroaded) table.

EXAMPLE: Determine the maximum allowable shade size and cassette for normal orientation shades. The example Continuous Loop lift shade is 110" x 120" Feedback 5% with cassette.

1. Find Feedback 5% in the first column.
2. Follow the Feedback 5% fabric row to the width and height sizes.
3. The maximum width and maximum height in normal fabric orientation available for this configuration is 124" x 144".
NOTE: Both width and height must be less than the maximum width and height segment to fit the normal shade orientation.
4. Follow this segment to the top of the table. This segment is within the large cassette size indicating this shade's smallest segment cassette size available is a large size cassette.

Size Considerations

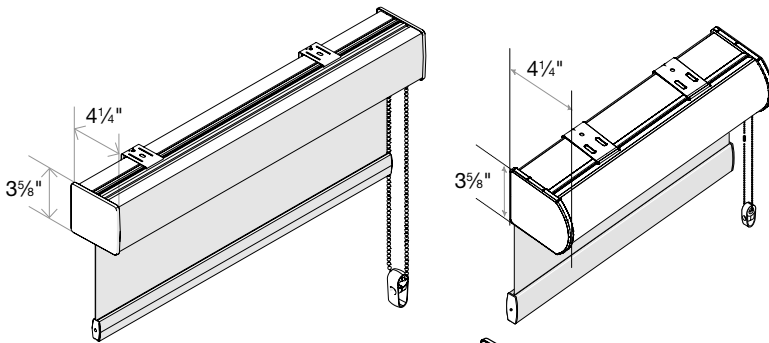
Planning for Installation of Exterior Shades

Use the following planning guidelines for your exterior shade:

1. Determine the location of the shade.
2. Determine the side of the shade (left or right) the bead chain for Continuous Loop lift should exit.
3. For top mounts, large cassette installation: $\frac{1}{2}$ " spacing is required between the window and the back of the bracket.
4. For wall mounts, large cassette installation: $\frac{3}{8}$ " clearance is required above bracket.
5. Use a stud finder to locate solid area to mount installation brackets.
6. Never install exterior shades in windy conditions.
7. The installation screws provided are for mounting on wood. For mounting on materials other than wood, please consult a qualified professional.

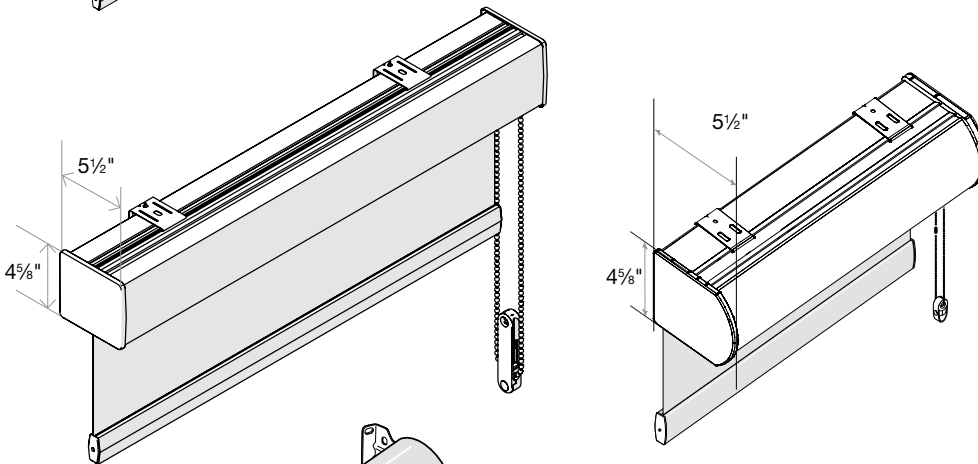
Depth Requirements for Inside Mount

- The following diagrams illustrate the mounting depth requirements for shades mounted inside window casements or deck/porch frames
- Motorized lift shades only available with large cassette
- Continuous Loop lift shades shown



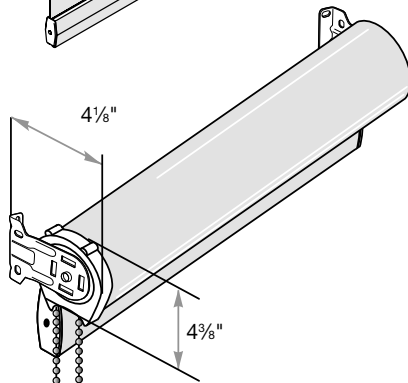
Square Md Painted or Round Md Painted Cassette

- $1\frac{3}{4}$ " minimum inside mount (Continuous Loop lift only)



Square Lg Painted or Round Lg Painted Cassette

- $1\frac{3}{4}$ " minimum inside mount



No Valance*

- $\frac{3}{4}$ " minimum needed to attach bracket for an inside/side mount
- $4\frac{1}{8}$ " minimum for an inside/top mount

*Largest possible measurement given. This will vary with fabric and window dimensions.

Options

Summary

Control Type Options

- Continuous loop lift

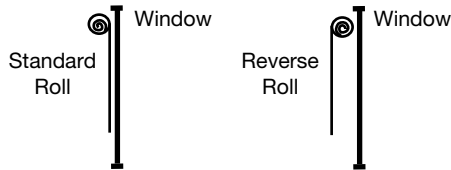
Shade Options—No Charge

- Chain location
- Turning fabric width for height to accommodate wider windows
- Longer chain length
- Reverse roll
- Hold downs—continuous loop lift

Shade Options—Surcharge

- Square Cassette Valance
- Round Cassette Valance

Reverse Roll

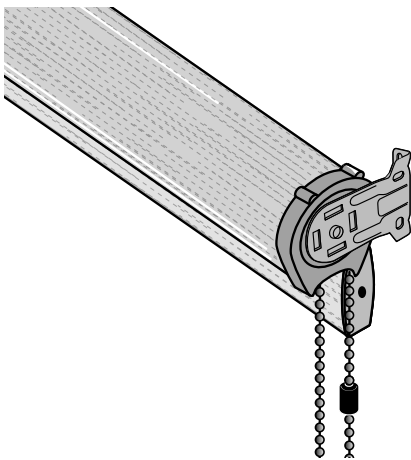


• No charge

- Standard roll is where fabric rolls over the tube to the back
- Reverse roll is where the fabric rolls over the tube to the front
- Reverse roll not available with cassette valance
- Roll direction cannot be changed after shade is manufactured

NOTE: For optimal privacy and light control, standard roll should be used.

Continuous Loop Lift

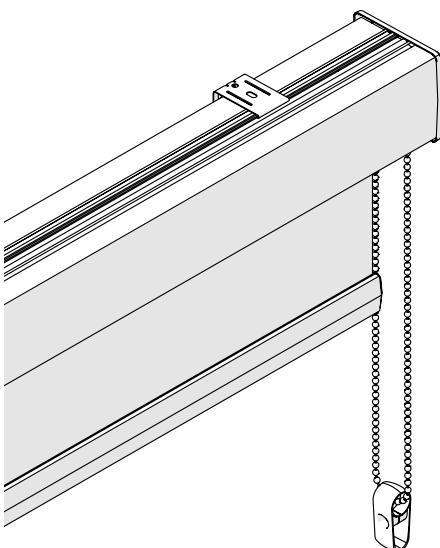


• For pricing, see price chart

- Beaded chain and clutch system makes raising and lowering shade easy
- Two clutch sizes depending on shade size
- Stainless bead chain stays same length regardless of shade position
- Bead chain length is approximately $\frac{7}{8}$ length of shade; customer can request longer chain length at time of order
- Chain is kept at a constant length and held taut by a safety hold down device
- **NOTE:** Hold down device must be installed to operate the shade.
- Choose left or right chain location (right is standard)
- Optional Square Cassette in Medium or Large in four colors: Black 939, Brown 873, Cream 715, White 871
- Optional Round Cassette in Medium or Large in four colors: Black 939, Brown 873, Vanilla 970, White 871
- Component and cassette valance color is selectable
- Hem bar hold downs attach the shade to the frame of the window or deck/patio
- Fabrics and components are specifically designed for outdoor use

NOTE: All exterior shades must be fully raised in wind and inclement weather.

Square or Round Cassette Valance

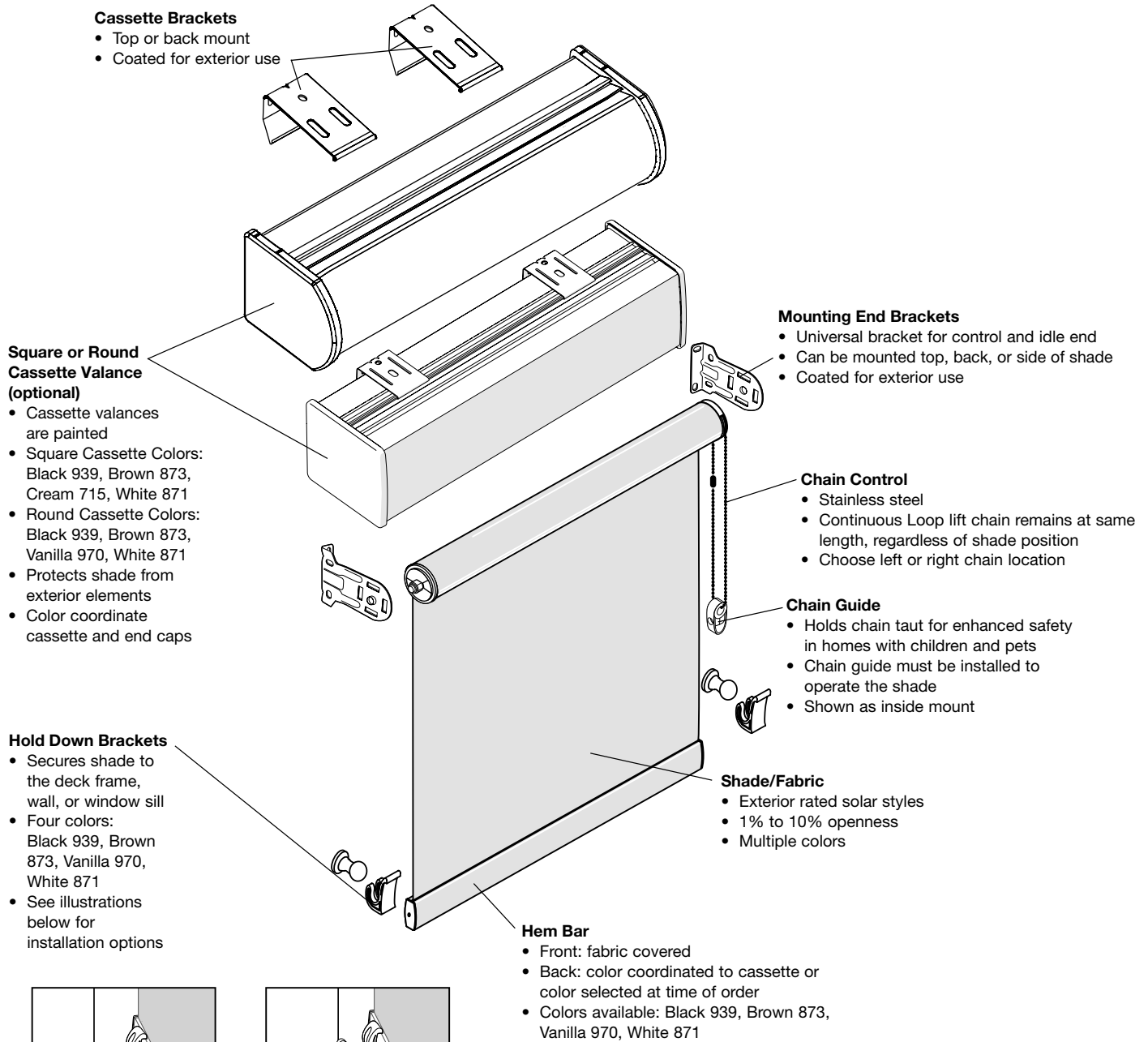


• For surcharge, see price chart

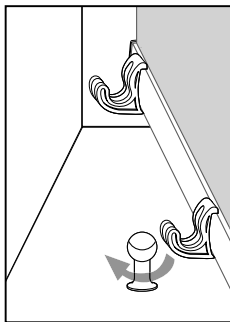
- Choose Square Painted or Round Painted Cassette
- Square Painted Cassette Colors: Black 939, Brown 873, Cream 715, White 871
- Round Painted Cassette Colors: Black 939, Brown 873, Vanilla 970, White 871
- Painted and powder coated finishes are rated for outdoor use
- Square Painted or Round Painted cassette must be ordered at the same time as the continuous-loop lift shade. (**NOTE:** Automatically comes with motorized lift.)
- Sizes: Medium $3\frac{5}{8}$ " high x $4\frac{1}{4}$ " deep (continuous loop lift only); large $4\frac{5}{8}$ " high x $5\frac{1}{2}$ " deep

General Information

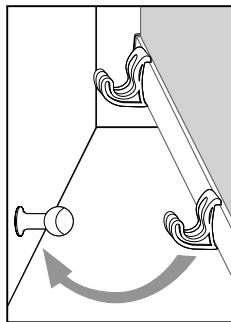
Exterior Continuous Loop Lift Product Detail



NOTE: The installation screws provided are for mounting on wood. For mounting on materials other than wood, please consult a qualified contractor.



Base/Sill Mount



Back/Wall Mount

Cleaning Instructions

Solar shade fabrics are virtually maintenance free. Only periodic vacuuming and an occasional cleaning using a mild detergent, soft brushing, and thorough rinsing is required.

Allow the shade to dry completely before raising. Do NOT completely immerse.