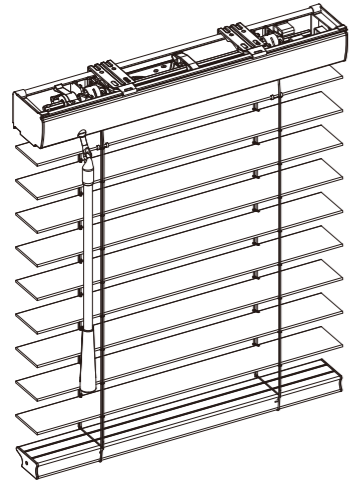


Installation & Maintenance Instructions

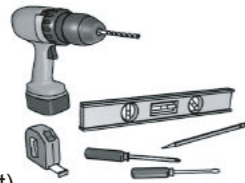


Getting Started


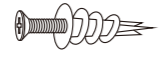

Remove the blind from the package. Be sure to keep the packaging until the blind operates to your satisfaction. Please take a moment to review the following installation guide for proper installation.

Recommended Tools

- Measuring Tape
- Pencil
- Level
- Screwdriver
- Power drill (1/4" hex driver and drill bit)

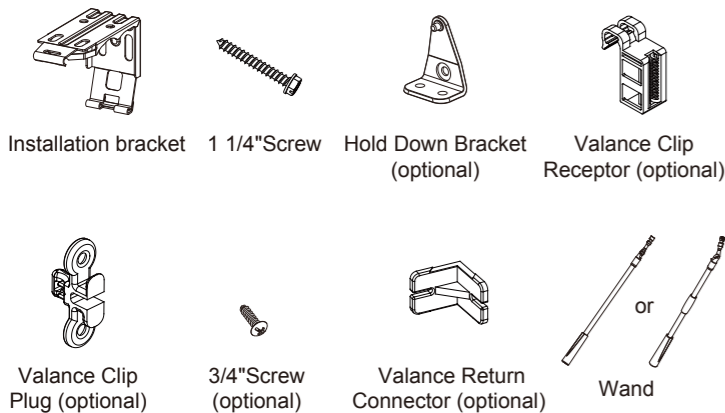


You will need to use the following fasteners for your particular mounting surface.

Mounting Surface	Fastener
Wood	1 1/4" Hexagonal Head Screw (Provided) 
Drywall/Plaster	Wall Anchors, Expansion Bolts (Not Provided) 
Metal	Sheet Metal Screws (Not Provided) 

Check Component / Hardware:

Check your package for contents needed for proper installation.



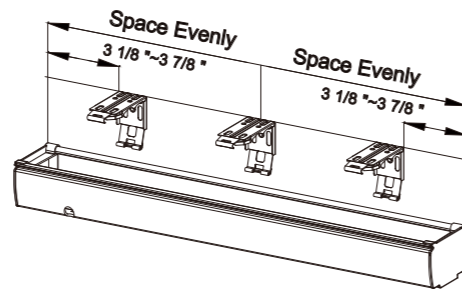
Hardware Standard Quantity

Blind Width (X)	X ≤ 37"	37" < X ≤ 47"	47" < X < 60"	60" ≤ X ≤ 75"	75" < X ≤ 96"
Installation Bracket	2	3	4	4	5
1 1/4" Screw for Installation Bracket	4	6	8	8	10
Wand	1				
Valance Clip (optional)	2	3	3	4	4
Valance Return Connector for Modern Curved Valance (optional)	2				
Valance Return Connector for Designer Crown Valance (optional)	4				
Hold Down Bracket (only available for width 32" and under)	2				
3/4" Screw for Hold Down Bracket (only available for width 32" and under)	4				

Valance Return Connector is provide only when returns are required.

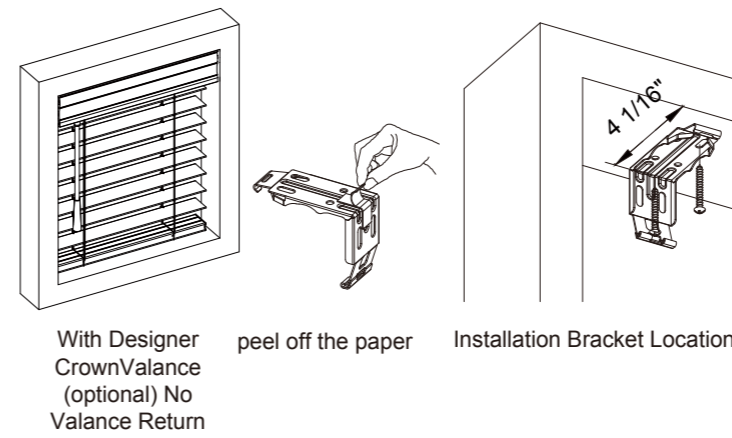
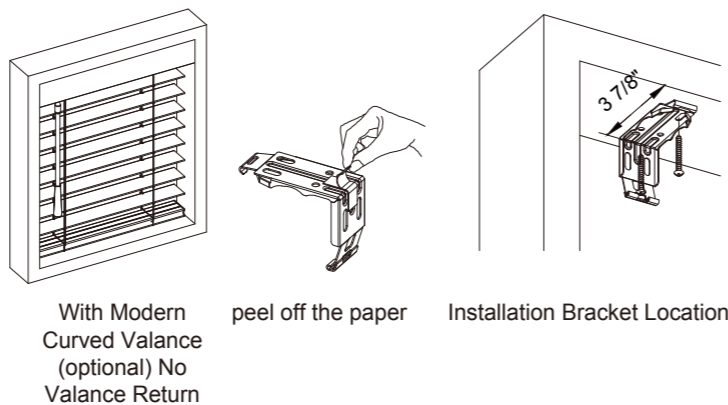
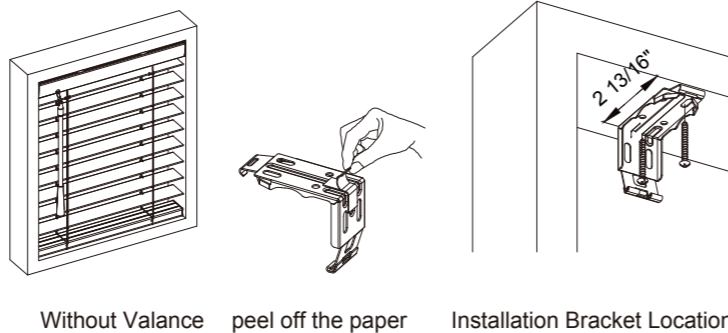
Step 1. Bracket Installation

Mark the bracket location on the mounting surface. For easy installation and proper blind operation, use a level to ensure all brackets are alignment.

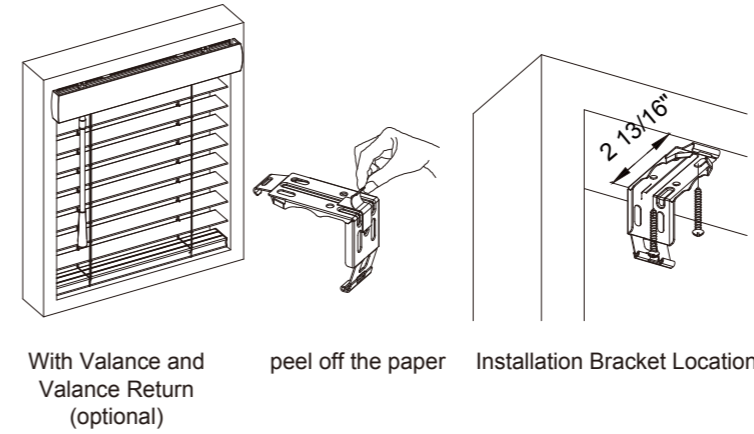


Allocate min. distance from wall face to the backside of the brackets. Peel off the double-sided adhesive tape on the bracket and stick the bracket at the marked location. Use two 1 1/4" mounting screws to secure bracket. Use wall anchors for drywall or plaster wall.

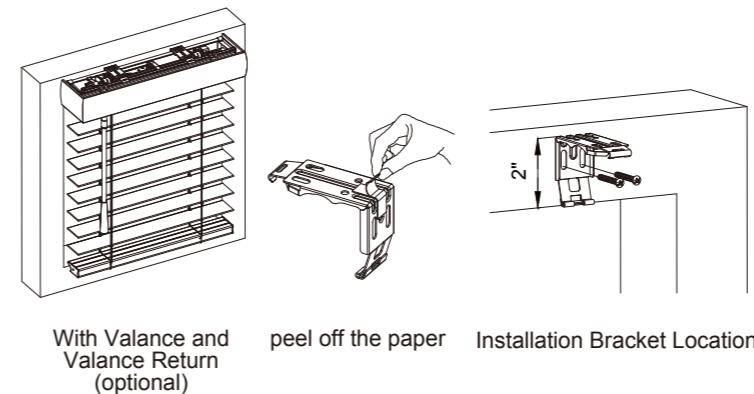
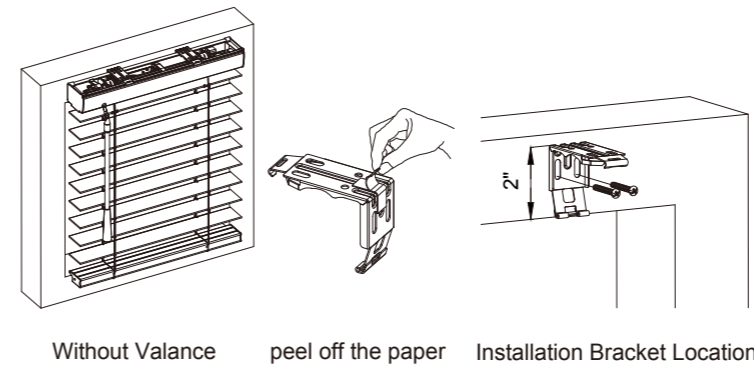
Inside Mount



Semi-inside Mount (Bracket flush to wall)

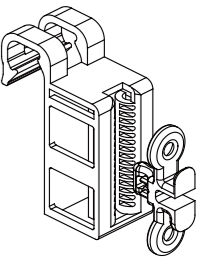


Outside Mount



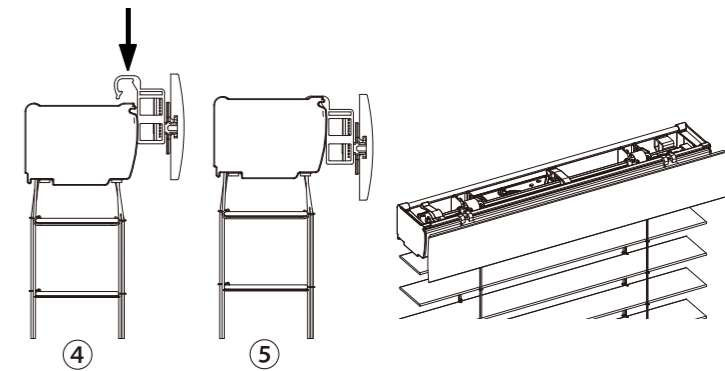
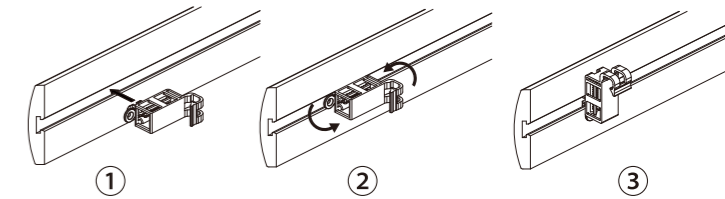
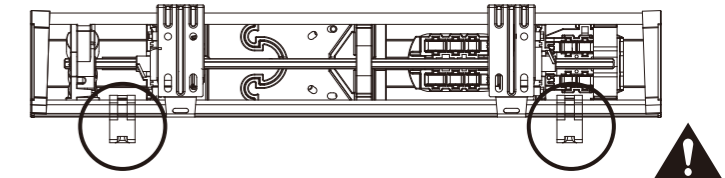
Step 2. Install the Valance Clip (for valance option)

- Attach the valance clip plug into the receptor. Refer to the right drawing for the plug position.

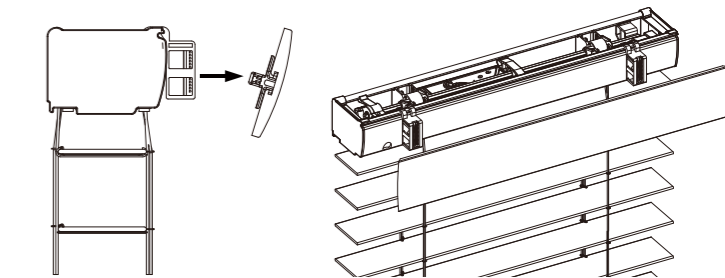


Attach the valance clip plug and receptor into the channel on the backside of the valance. Attach the valance return if needed. Hook the valance clip receptors onto the headrail and space them evenly.

Make sure receptors are not in obstructive position with the drum support or wand tilter inside the headrail and the brackets.

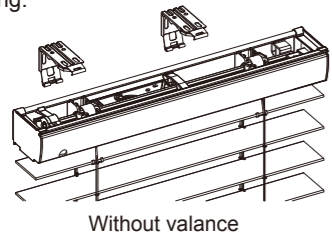


Remove the valance together with valance clip plugs away from the receptors before installing the blind. **Leave the receptors on the headrail.**



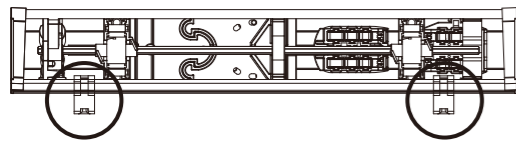
Step 3. Install the Blind

- For blind without valance, attach the headrail to the brackets directly as below drawing.

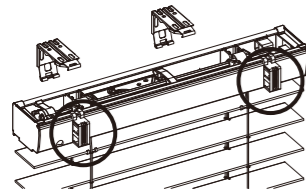


Without valance

- If valance is required, make sure the valance clip receptors are attached on the headrail before installing the headrail.



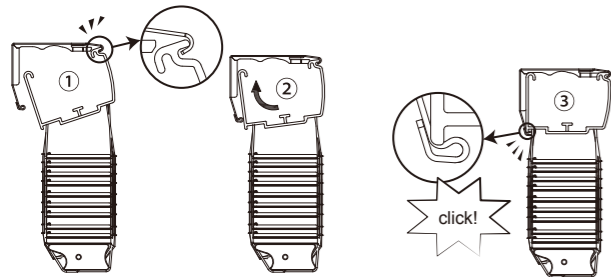
- Install the blind as below drawing for valance option.



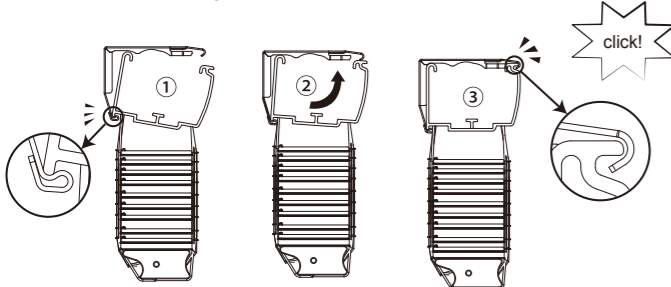
With valance

Choose one of below ways to attach the headrail to bracket.

- Start with attaching the headrail front to the bracket first.

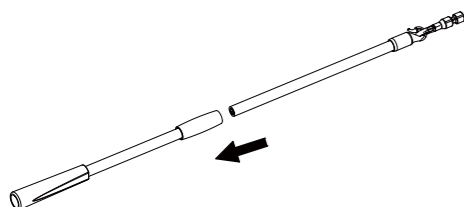


- Start with attaching the headrail back to the bracket first



Step 4. Assemble the Split Wand (if needed)

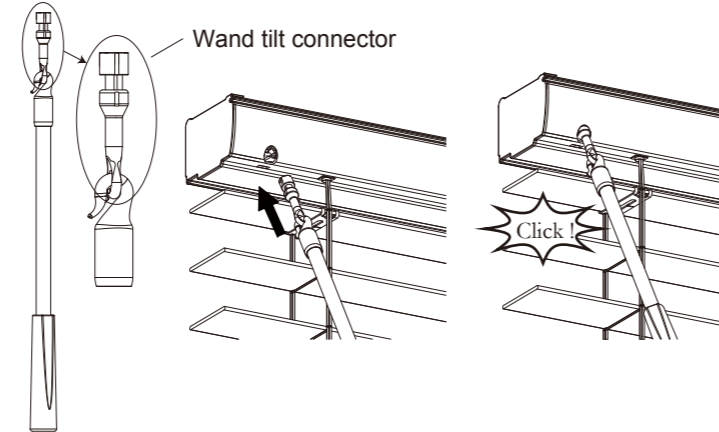
For split wand, aim the wand at connector hole and push wand into hole till to the end.



Step 5. Insert the Wand

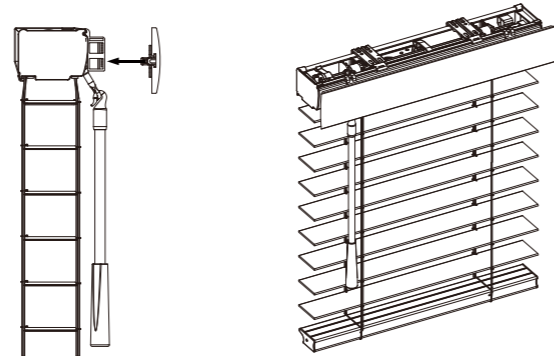
Insert wand tilt connector into the bottom of headrail till they are clicked.

Do not take down the wand after installed.

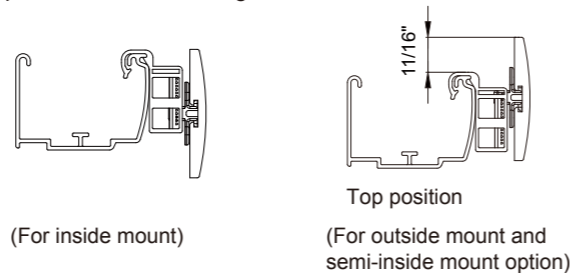


Step 6. Attach the Valance (for valance option)

Attach the valance to the headrail by inserting the plugs into the receptors.



- Finalize valance installation position first.
- Attach the valance to the headrail by inserting the plugs into receptors as below drawing.

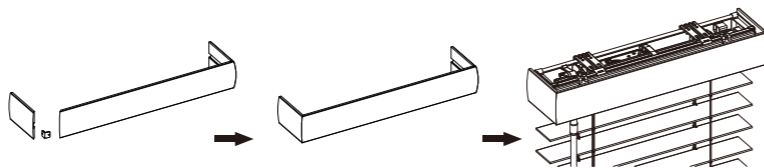


(For inside mount)

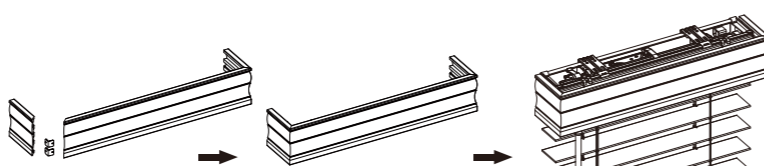
Top position
(For outside mount and semi-inside mount option)

If the valance return is needed, join the valance return with valance by valance return connector first, and then attach the valance together with valance returns to the headrail.

Modern Curved Valance with Valance Returns (optional)



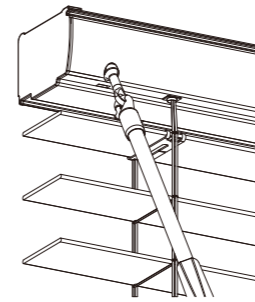
Designer Crown Valance with Valance Returns (optional)



Operate Your Blind

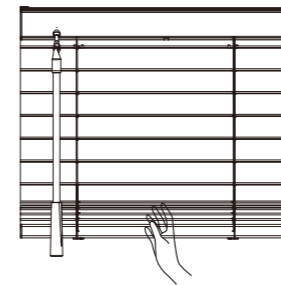
Tilt wand

Rotate wand to attain desired slat position



Lower the blind

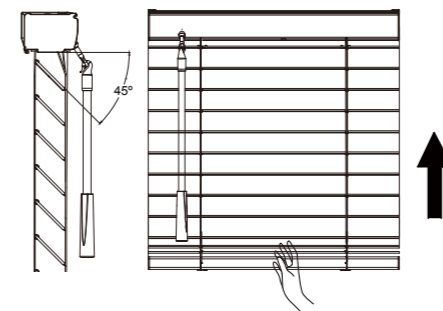
The slats need to be opened at any angle and keep even when pulling the bottom rail down by hand.



Raise the blind

Gently tilt the slats toward you at 45 degree before lifting the bottom rail up by hand.

Do not put the slats in a closed up or closed down position while lifting the bottom rail.

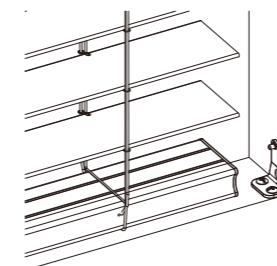


Additional Attachments

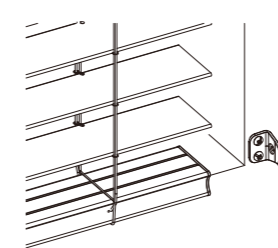
Hold down brackets (if included)

Attach the hold down brackets against a flat surface, horizontally or vertically, parallel to the bottom rail. Make sure the protruding area is aligned with the hole on the side of the bottom rail. Secure the hold-down bracket into the bottom rail on both sides to keep blinds in desired location.

Inside Mount

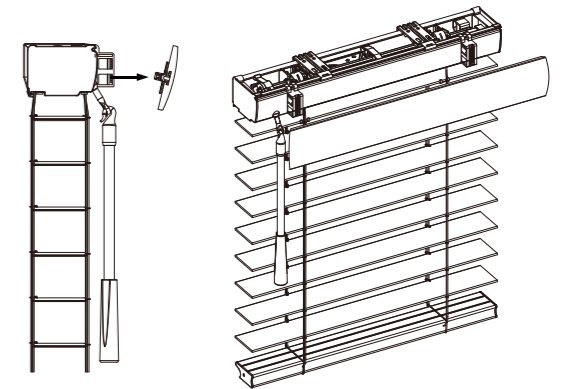


Outside Mount

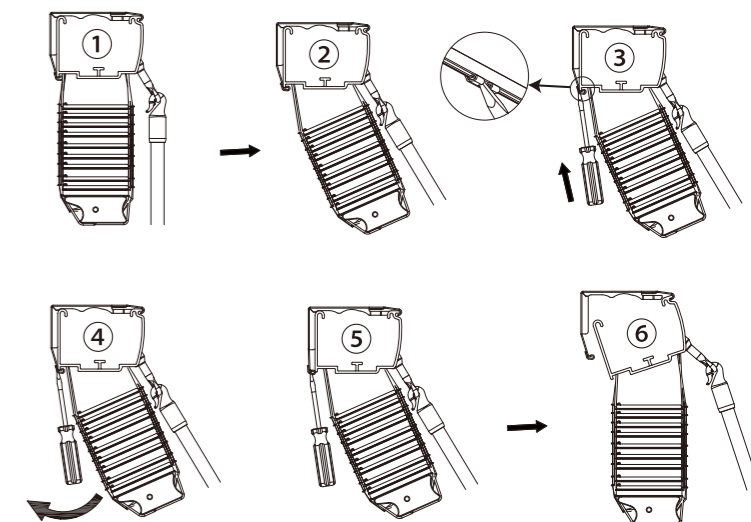


Remove the Blind

Remove the valance and valance clip plugs away from the receptors first if valance is included.



Remove the blind from brackets



Cleaning Instructions

Perform periodic simple cleaning of your blind will keep your blind looking its best for the years to come. There are two ways to clean. You can dust it with a duster or dusting mitten, or simply use a soft cloth slightly moisten with lukewarm water to wipe down the slats. You can clean it with the blind hanging on the window, or you can take it down completely. By tilting the slats down but not fully closed, you will be able to clean most of the top surface of each slat. **Do not use detergent or abrasive cleaning solutions to clean the blind since it will likely cause damage to the blind.**