



wood blinds

COLLECTION

RETAIL PRICE LIST &
PRODUCT INFO GUIDE

Effective July 7, 2008

*"...finding solutions for families,
especially busy moms."™*

A WHOLE FAMILY OF WINDOW SOLUTIONS



TABLE OF CONTENTS

Product Overview

- Features and Benefits 2
- Product Components 3
- Color Chart. 4

Pricing Information

- 2" Smooth Finish Price Group 5
- 1-3/8" and 2-3/8" Smooth Finish Price Group 5
- Solid & Decorative Tape Surcharges 6
- Cordless Lift System and Option Charges 6

Valance Upgrade Information

- Tape Valance Option & Color Chart 7
- Individual Valance Ordering & Pricing 7
- Valance Information & Specifications 8

Solid & Decorative Tape Option 9

Product and Specifications

- Feature and Options 10
- Size Specifications 11
- Finished Dimensions and Mounting Requirements 11

Controls, Ladder/Tape Placement & Stack-up Charts

- Standard Rectangular 12
- Cordless Lift System 13
- Tilt Motor System 14




Featured Components 15

Tilt Motor Retrofit Kits Ordering & Pricing 15

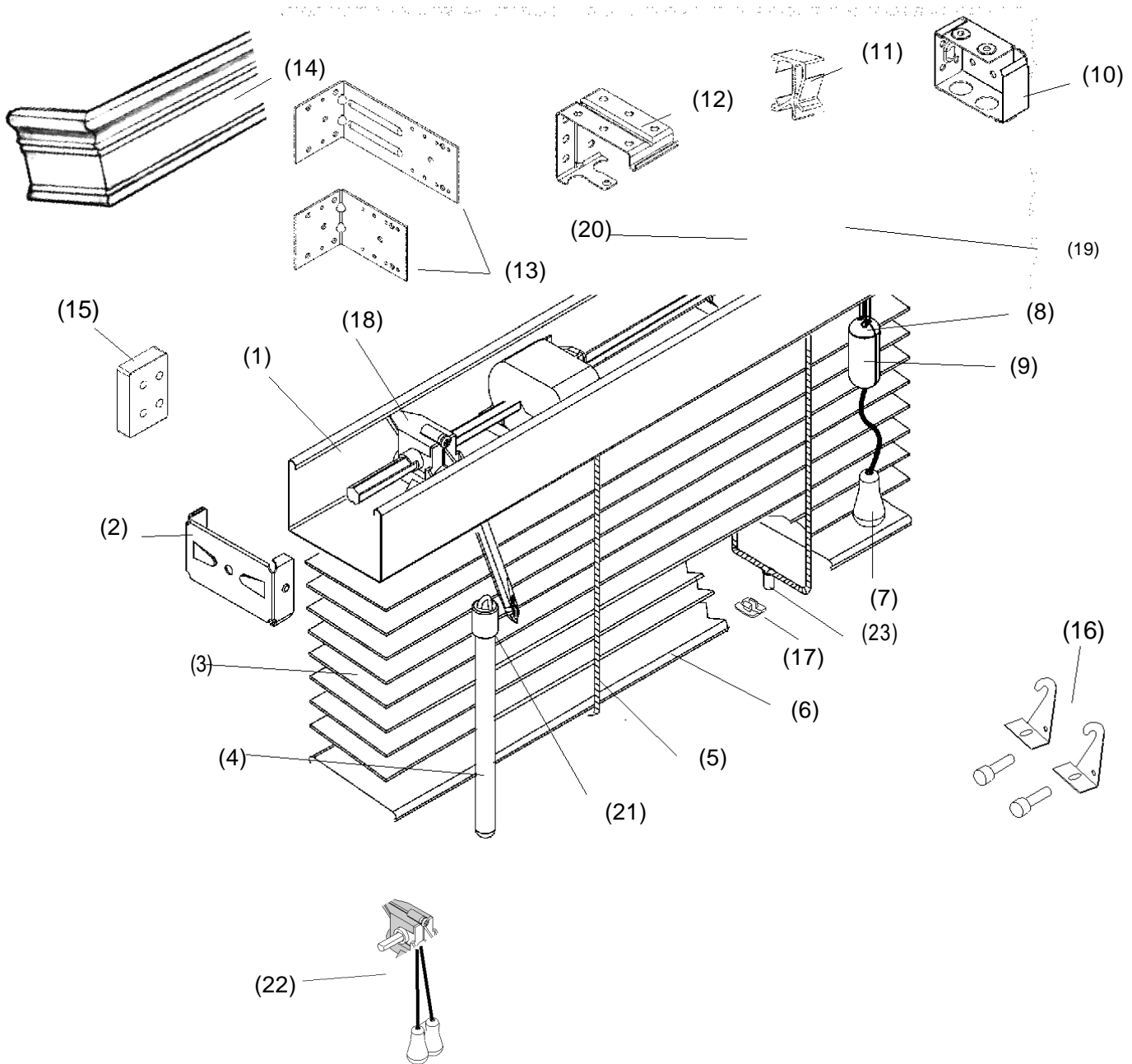
**IF YOUR BLIND TOTAL IN YOUR CART IS \$3.50 AS A TOTAL IT MEANS IT
CANNOT BE MADE.**

FEATURES AND BENEFITS



FEATURES & OPTIONS	BENEFITS
<ul style="list-style-type: none"> Made with Durable North American Hardwood In a Wide Selection of Best-Selling Paints, Stains & Finishes 	Quality woods that will enhance the appearance of any room. Slat style size offerings: 1-3/8" provide a sleek look, 2" are the most popular, 2 3/8" provide a shutter-like look, Rich Grain feature more vivid tone on tone graining and Bamboo Woods feature real bamboo color tones and textures.
<ul style="list-style-type: none"> 3" Standard Decorative Valance on All Blinds All Valances Come with Glued-on Returns 	The Standard Decorative Valance with 3" profile is included FREE on all wood blinds. The elegant, high-profile decorative valance looks great and will eliminate any light gap between the headrail and the top slat. Glued returns create a clean, aligned corner and don't need assembly.
<ul style="list-style-type: none"> Solid & Decorative Tapes – Surcharge Option 	A wide assortment of solid and decorative tapes provides designer fashion accents.
<ul style="list-style-type: none"> Tape Valance – Extra Charge Option 	3" decorative valances may be customized with 1" solid or 1" and 1-1/8" decorative tape for fashionable accents.
<ul style="list-style-type: none"> Heavy-Duty Slim Design Headrail 	You will receive a headrail which is strong enough to cover large windows with a single blind, yet, slim enough to reduce the stacking height. This gives the blind a cleaner, more compact look.
<ul style="list-style-type: none"> Cordless Lift System – Surcharge Option 	Cordless lift eliminates lift cord, allows simple lifting and is available for 2" blinds. This option provides additional safety for homes with children and pets.
<ul style="list-style-type: none"> LIGHTSOUT Routeless Slat Design – No Charge Option 	You can request the LightsOut feature on your Wood Blinds (All Style Sizes) and the slats will be cut without route holes. This reduces the light leakage and allows for better room darkening as well as more privacy when the blinds are closed. LightsOut is not available with cordless lift systems.
<ul style="list-style-type: none"> ROUNDED Corners – Free Option 	You can request Rounded Corners on 1-3/8" , 2" and 2-3/8" Blind Slats (not available on Bamboo) for no additional charge. This provides a softer, designer's touch to your blinds.
<ul style="list-style-type: none"> Break Away Safety Stop Ball and Decorative Wood Tassels – Color-Coordinated 	The safety stop ball separates under pressure to help PROTECT CHILDREN AND PETS from injury and also reduces the risk of choking. It easily snaps together again. Wood tassels offer a finished look.

PRODUCT COMPONENTS – STANDARD RECTANGULAR



- (1) Slim Design Headrail
- (2) End Lock End Stiffener (Part #5003655000)
- (3) Wood Slat
- (4) Tilt Wand (optional) (Part #12-94-4-COLOR)
- (5) Braided Ladder
- (6) Bottom Rail
- (7) Wood Tassel (Part #12-90-1-COLOR)
- (8) Lift Cords
- (9) Safety Cord Stop (Part #7007736-COLOR)
- (10) Installation Bracket (Part #B5-41-8-COLOR)
- (11) Valance Kwik-Klip (Part #12-70-2006)
- (12) Center Support Bracket* (Part #12-70-4015)
- (13) Extension Brackets* (Part #12-70-9004)
- (14) Valance

- (15) Spacer Block* (Part #13-70-4000)
 - 1/4" Spacer Block* (Part #6623900000)
 - (16) Hold-down Bracket Set* (Part #20-0250-LR05) – White
(Part #20-0250-LR00) – Zinc
 - (17) Tape Buttons (Part #7004035-COLOR) – Not Shown
 - (18) Wand Tilter (Part #5003768000)
 - (19) Cord Lock Assembly (Part #5003364000)
 - (20) Tape Drum (Part #12-70-4170)
 - (21) Wand Connector Kit (Part #7008700000)
 - (22) Cord Tilter (Part #5003873748)
 - (23) Brass Eyelet Ladder Crimp (Part #12-70-9002)
- * Not required on every blind

(not shown) 2" top slat clip #707074000
(not shown) 2-1/2" top slat clip #WSCLIP-P

COLOR CHART

Wood Styles & Names	1-3/8" COLOR #	2" COLOR #	2-3/8" COLOR #
SMOOTH FINISH (paints & stains)			
Aspen Black		W2-286	
Beachwood		W2-003	
Bleached White		W2-281	
Butternut		W2-123	
Colonial		W2-118	
Flaxen		W2-028	
Golden Oak	W138-124	W2-124	W238-124
Golden Pine		W2-285	
Hunter Green		W2-259	
Ivory		W2-029	
Light Pine	W138-116	W2-116	W238-116
Mahogany	W138-125	W2-125	W238-125
Milky White	W138-282	W2-282	W238-282
Neuvo White		W2-284	
New Oak		W2-117	
Nutmeg		W2-135	
Parchment	W138-030	W2-030	W238-030
Pure White	W138-026	W2-026	W238-026
Rich Walnut	W138-133	W2-133	W238-133
Rosewood		W2-258	
Sequoia		W2-257	
Snow Dove		W2-005	
Snowflake		W2-013	
Spice	W138-134	W2-134	W238-134
Spicy Oak		W2-122	
Sugar Pine		W2-008	
Sweet Maple	W138-280	W2-280	W238-280
Teak		W2-115	
Traditional White		W2-283	
Winter White	W138-012	W2-012	W238-012
Woodland		W2-114	
SANDBLASTED			
Snowflake		W2-354	
Winter White		W2-362	
LODGE (RUSTIC)			
Butternut		WL-423	
Hunter Green		WL-459	
Light Pine		WL-416	
Sequoia		WL-457	
Teak		WL-415	
ENHANCED GRAIN			
Brown Suede		WP2-505	
Caramel		WP2-507	
Cinnamon Stick		WP2-509	
Golden Wheat		WP2-503	
Weathered Snow		WP2-501	
DISTRESSED			
Beige Shadow		WP2-606	
Camel		WP2-602	
Golden Safari		WP2-604	
BAMBOO WOOD			
Butter Cream		WB2-701	
Roasted Corn		WB2-703	
Soft Copper		WB2-705	

= NOT AVAILABLE



wood blinds

COLLECTION

NOTE: See Tape section (p.6) for sizes & availability. Tapes are NOT available with cordless lift upgrade or LightsOut feature.



2" CORDLESS LIFT SYSTEM

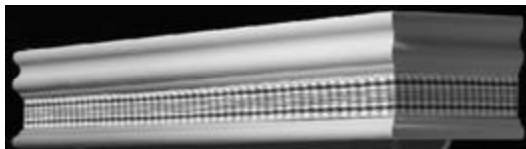
NOTE: Cordless Lift System is available with left tilt cord control position only.
 LightsOut feature NOT available with Cordless Lift System.
 Tapes are NOT available with Cordless Lift System.
 Not available with 1-3/8" and 2-3/8" blinds.



OPTIONS: NO EXTRA CHARGE
<ul style="list-style-type: none"> • LightsOut Routeless Feature (not available with cordless system or tapes) • Rounded Corners – optional (not available on 2" Sandblasted, Lodge or Bamboo Wood) • Controls – either left, right, grouped or split • Hold-Down and Extension Brackets • Spacer Blocks – 1 set standard with 2-3/8" blinds • Special Wand/Cord Length – 2-3/8" blinds available with cords ONLY • Wand Tilter – 1-3/8" & 2" blinds ONLY • 2 or 3 On 1 Headrail (maximum 120") – price as separate blinds

OPTIONS: EXTRA CHARGE
<ul style="list-style-type: none"> • Tilt Motor System (max. width 96" or 72" for Bamboo) • Tilt Motor Remote Control Unit (must order separately) • Blinds Under 12" Wide (not available with 2-3/8") • Tile Cut Out (max. 5-1/2" each side). • Tape Valance

Note: For surcharges on oversize common carrier delivery, express ship program, shipments to Hawaii, Alaska and Puerto Rico, see General Information Section



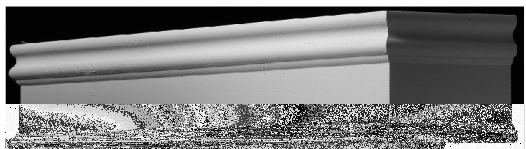
TAPE VALANCE OPTION

With this option, the 1" Solid or 1" or 1-1/8" Decorative Tape is attached (glued) across the flat section of the valance. Refer to the wood/tape sample deck to coordinate wood and tape colors to your liking. The tape names available for this option and the 4 digit tape color numbers are listed below. (Tape pattern orientation flows from left to right.)

SOLID TAPE NAMES	Color Numbers
Mocha	0820
Cherry	0821
Cocoa	0822
Black	0823
Mist	0827
Hunter	0828
White	0832
Alabaster	0833
Natural	0834
Sand	0835
Bordeaux	1139
Dark Beige	1143
Ivy	1146
Wheat	8877

DECORATIVE TAPE NAMES	Color Numbers
Summer Floral (1")	0930
White Flux	2101
Gold Flux	2102
Auburn Flux	2103
Sage Bouquet	2202
Spice Bouquet	2203
Natural Band	2301
Vivid Band	2302
Desert Mamba	2401
Rainforest Mamba	2402
Highland Mamba	2403
Jewel Groove	2502
Wood Groove	2501

DECORATIVE TAPE NAMES	Color Numbers
Serengeti Touch	2601
Serengeti Wild	2602
Bengal Snow	2701
Bengal Wild	2702
Tiffany Wood	2802
Tiffany Glass	2803
Royal Artisan	2902
Tonal Artisan	2903
Myriad Chic	3001
Toasted Chic	3002
Woven Bark	3102
Woven Blend	3103
Woven Palm	3104



INDIVIDUAL VALANCE ORDERING & PRICING

Refer to this pricing for "individual" valances only. (valances on all blind orders are already standard and included in the blind price.)

SMOOTH FINISH	3" Standard Decorative Valance Color #
Beachwood	003
Bleached White	281
Butternut	123
Colonial	118
Flaxen	028
Golden Oak	124
Hunter Green	259
Ivory	029
Light Pine	116
Mahogany	125
Milky White	282
Neuvo White	284
New Oak	117
Nutmeg	135
Parchment	030
Pure White	026
Rich Walnut	133
Rosewood	258
Sequoia	257
Snow Dove	005
Snowflake	013
Spice	134
Spicy Oak	122
Sugar Pine	008
Sweet Maple	280
Teak	115
Traditional White	283
Winter White	012
Woodland	114

SANDBLASTED	3" Standard Decorative Valance Color #
Snowflake	354
Winter White	362

LODGE (RUSTIC)	3" Standard Decorative Valance Color #
Butternut	423
Hunter Green	459
Light Pine	416
Sequoia	457
Teak	415

BAMBOO WOOD	3" Standard Decorative Valance Color #
Butter Cream	701
Roasted Corn	703
Soft Copper	705

ENHANCED GRAIN	3" Standard Decorative Valance Color #
Brown Suede	505
Caramel	507
Cinnamon Stick	509
Golden Wheat	503
Weathered Snow	501

DISTRESSED	3" Standard Decorative Valance Color #
Beige Shadow	606
Camel	602
Golden Safari	604

NOTE: Bamboo ONLY available up to 72" maximum width.

VALANCES

A Touch of Casual Elegance...

STANDARD VALANCE & RETURN CONFIGURATIONS (OUTSIDE MOUNTS)



3"

Standard Decorative 3" Profile

Slat Size/Style

Standard Returns

• 1-3/8" Woods	3"
• 2" Woods	3"
• 2-3/8" Woods	3-3/4"
• 2" SANDBLASTED Woods	3"
• 2" LODGE (RUSTIC) Woods	3"
• 2" ENHANCED GRAIN Woods	3"
• 2" DISTRESSED Woods	3"
• 2" BAMBOO Woods	3"

VALANCE / RETURN SPECIFICATIONS

- **Custom valance** widths are available upon request. Maximum widths for valance are as follows: The maximum Continuous Valance width is **102"** (Except Bamboo which is 72"). The maximum Spliced Valance width is **120"**. (See note below).
- Custom return lengths are available upon request. Minimum return length is **1/2"**. Maximum length is **6"**.

NOTE: Valances over 102" will be spliced in the middle and need to be placed close together during installation of blinds. ***Due to the natural qualities of wood, the grain will not line up at the miter and will be visible. This effect is especially prominent on Sandblasted valances.***

CUSTOM VALANCE & RETURNS – MEASURED & CUT FROM THE INSIDE:

- **NOTE:** Valances are cut to measure from the **inside** miter to insure the most accurate fit when installed over the headrail or window frame.





SOLID & DECORATIVE TAPES

Add a Designer's Touch...



DECORATIVE TAPES

TAPE SIZES	
1" and 1-1/8" wide  <i>for 1-3/8", 2" and 2-3/8" blinds</i>	1-1/2" wide  <i>for 2" & 2-3/8" blinds</i>

TAPE SPECIFICATIONS

Select the tape width, color and design which will complement your 1-3/8", 2" or 2-3/8" wood blind.

- Made from a poly/cotton blend
- Resists fading or shrinking
- Lifetime Guarantee*
- Decorative tapes are attached to solid colored tape ladders that are slightly narrower than the width of the decorative tape (see chart below). The ladder is pre-selected based upon this width and for color coordination. A high tech gluing process is used to adhere the decorative tape. This process is superior to the commonly used sewing application which is visible and tends to pucker. **The decorative tape is only applied to the ladder on the front of the blind. The back of the blind will have a solid color tape visible (see chart below).**
- The tape option features economical WIDTH BASED TAPE PRICES. See the included price list for the appropriate surcharges.

Solid Tapes

ALL Blinds	2" Blinds ONLY	2" Blinds	2-3/8" Blinds
1" Solid Tape	1" Solid Tape	1-1/2" Solid Tape	
White	Natural	Alabaster	Light Beige
Alabaster	Mist	Black	Moss
Sand	Mocha	Bordeaux	Mulberry
Dark Beige	Ivy	Cherry	Navy Blue
Wheat		Chocolate	Seafoam
Cherry		Dark Beige	Wedgewood
Cocoa		Forest	Wheat
Bordeaux		Hunter	White
Hunter			
Black			

Decorative Tapes

ALL Blinds	2" Blinds	1-3/8", 2-3/8" Blinds
1-1/8" Deco Tape	Attached To	Attached To
White Flux	Alabaster	Alabaster
Gold Flux	Mocha	Cocoa
Auburn Flux	Cherry	Cherry
Sage Bouquet	Mist	Sand
Spice Bouquet	Cherry	Cherry
Natural Band	Natural	Cherry
Vivid Band	Bordeaux	Bordeaux
Desert Mamba	Sand	Sand
Rainforest Mamba	Hunter	Hunter
Highland Mamba	Natural	Dark Beige
Jewel Groove	Mocha	Dark Beige
Wood Groove	Alabaster	Alabaster
Serengeti Touch	Alabaster	Alabaster
Serengeti Wild	Black	Black
Bengal Snow	Alabaster	Alabaster
Bengal Wild	Black	Black
Tiffany Wood	Cocoa	Cocoa
Tiffany Glass	Bordeaux	Bordeaux
Royal Artisan	Black	Black

ALL Blinds	2" Blinds	1-3/8", 2-3/8" Blinds
1-1/8" Deco Tape	Attached To	Attached To
Tonal Artisan	Black	Black
Myriad Chic	Alabaster	Alabaster
Toasted Chic	Sand	Sand
Woven Bark	Natural	Dark Beige
Woven Blend	Natural	Wheat
Woven Palm	Ivy	Sand

ALL Blinds	2" Blinds	1-3/8", 2-3/8" Blinds
1" Deco Tape	Attached To	Attached To
Summer Floral	Off White	Alabaster

2" & 2-3/8" Blinds	2" Blinds	2-3/8" Blinds
1-1/2" Deco Tape	Attached To	Attached To
Natural Elegance	Alabaster	Dark Beige
White Accent	White	White
Ivory Accent	Alabaster	Dark Beige
White Elegance	White	White
Desert Wave	Dark Beige	Dark Beige
Sahara Wave	Alabaster	Bordeaux
Glory Natural	Alabaster	Dark Beige

PRODUCT SPECIFICATIONS

FEATURES	1-3/8"	2"	2-3/8"
# of Colors	10	47	10
Headrail Size	1-1/2" x 2-1/4"	1-1/2" x 2-1/4"	1-1/2" x 2-1/4"
Headrail Gauge	.024	.024	.024
Bracket Style	Box	Box	Box
Cord Size	1.4 mm	1.4 mm	1.4 mm
Cordless Lift = .9mm	N/A	D-20	N/A
Ladder Space	30 mm	44 mm	54 mm
Cord Tilter (N/A with tilt motor option)	Yes	Yes	Yes
Decorative Valance	Yes – 3"	Yes – 3"	Yes – 3"
Valance Return Lengths (standard for OB mounts)	3"	3"	3-3/4"
Headrail End Stiffener	Yes	Yes	Yes
Wood Tassel	Yes	Yes	Yes
Break-Away Safety Stop Ball (not required on cordless lift)	Yes	Yes	Yes
Warranty (Tilt motor systems are warranted for 3 years)	Lifetime Limited	Lifetime Limited	Lifetime Limited

CONFIGURATION UPGRADES	1-3/8"	2"	2-3/8"
Cordless Lift System (N/A with tapes)	N/A	Yes	N/A
Tilt Motorization System ¹ (N/A with cordless lift upgrade)	Yes	Yes	Yes

MAIN OPTIONS	1-3/8"	2"	2-3/8"
LightsOut (Routeless) Slats ² (N/A with cordless lift upgrade or tapes)	Yes	Yes	Yes
2 or 3 On 1 Headrail ³	Yes	Yes	Yes
Rounded Corners (N/A with Sandblasted, Lodge or Bamboo)	Yes	Yes	Yes
Tapes (N/A with cordless lift upgrade or LightsOut feature)	Yes	Yes	Yes
Tape Valance	Yes	Yes	Yes

OTHER OPTIONS	1-3/8"	2"	2-3/8"
Wood Wand	Yes	Yes	N/A
Wand/Cord – Custom Lengths	Yes	Yes	Yes (Cord ONLY)
Control Positions	L, R or Grouped	L, R or Grouped	L, R or Grouped
Tilt Control Position – Cordless Lift	N/A	L (only)	N/A
Lift Control Position – Tilt Motorization	L or R	L or R	L or R
Tile Cut-out(s)	Yes	Yes	Yes
Spacer Blocks	Yes	Yes	Standard
Extension Brackets	Yes	Yes	Yes
Hold-down Brackets	Yes	Yes	Yes

¹ Tilt Motorization systems require a hand-held REMOTE CONTROL unit. The quantity of remote control units must be specified when ordering.

² The LightsOut configuration may cause slight "puckering" of the lift cords on the front of the blind when the slats are tilted backwards (reverse tilt) due to the interlacing cords. A gentle tug down on the lift cord tassel will eliminate any puckering.

³ There will be a 1/2" maximum light gap between blinds.
2 or 3 on 1 not available with the cordless upgrade.

SIZE SPECIFICATIONS

STANDARD RECTANGULAR	1-3/8"	2"	2-3/8"
Minimum Width (Net)	8"	8"	12"
Maximum Width (One blind)	102"	102" (Sandblasted=96", Bamboo=72")	102"
Minimum Height	12"	12"	12"
Maximum Height	126"	126"	126"
Max. AREA (SQ/FT) (Blinds over 50 SQ/FT require 2 or 3 on 1 headrail)	50 sq/ft	50 sq/ft	50 sq/ft
Maximum Width 2 or 3 on 1 Headrail	120"	120"	120"
Maximum continuous valance width ¹ (not spliced)	102"	102" (Bamboo=72")	102"

CORDLESS LIFT	1-3/8"	2"	2-3/8"
Minimum Width (Net)	N/A	18"	N/A
Maximum Width (One blind)	N/A	78" (Bamboo=72")	N/A
Maximum Height	N/A	84"	N/A
Maximum AREA (SQ/FT)	N/A	45 sq/ft	N/A
Maximum Width 2 or 3 on 1 Headrail	N/A	N/A	N/A
Maximum continuous valance width (not spliced)	N/A	102" (Bamboo=72")	N/A

TILT MOTORIZATION	1-3/8"	2"	2-3/8"
Minimum Width (Net)	12"	12"	12"
Maximum Width (One blind)	96"	96" (Bamboo=72")	96"
Maximum Height	96"	96"	96"
Maximum AREA (SQ/FT) (Blinds over 50 SQ/FT require 2 on 1 headrail)	50 sq/ft	50 sq/ft	50 sq/ft
Maximum Width 2 or 3 on 1 Headrail	N/A	N/A	N/A
Maximum continuous valance width (not spliced)	102"	102" (Bamboo=72")	102"

FINISHED DIMENSIONS

Adjustments are taken from ordered dimensions and may vary slightly.

Inside (IB) Mount	
Blind width	- 1/2"
Blind height	ordered height
Valance	- 1/8"
Outside (OB) Mount	
Blind width	ordered width
Blind height	ordered height
Valance	+ 1"
2 on 1 Headrail	
Gap between panels	- 1/2"

MOUNTING REQUIREMENTS

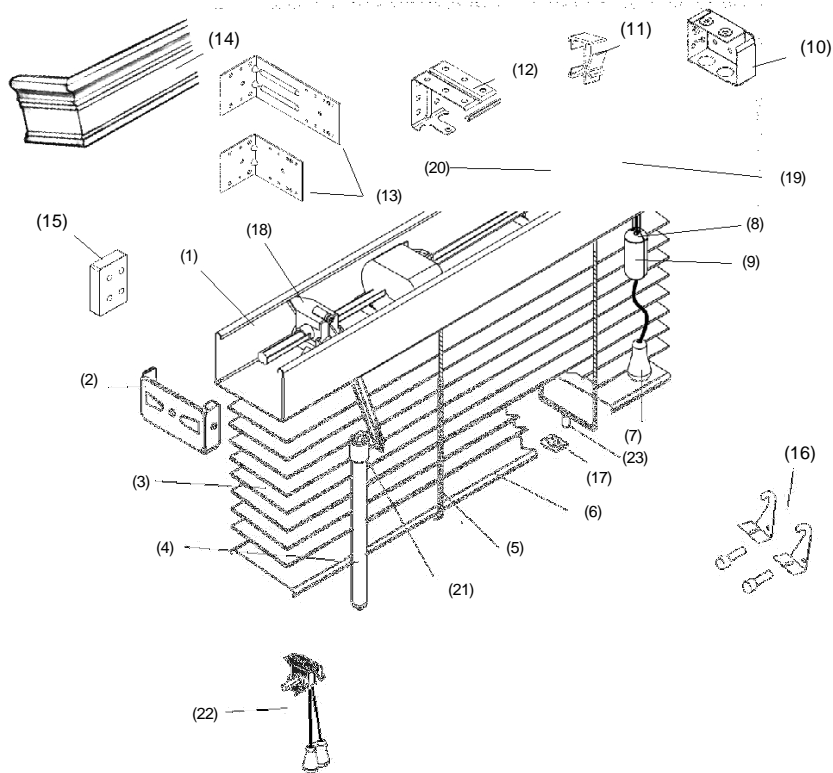
Use a metal tape measure for all measurements.

Inside (IB) Mount	
Minimum mounting depth:	1-1/8"
Minimum mounting depth, flush mount:	3-1/2"
Outside (OB) Mount	
Minimum flat vertical surface	5/8"
Minimum flat vertical surface	1"

FOOTNOTES

¹ The maximum valance width for the **Tape Valance option = 102"**. (Valances beyond 102" require splicing, so this tape valance option is not offered.)

FEATURES & OPTIONS – STANDARD RECTANGULAR



- (1) Slim Design Headrail
 - (2) End Lock End Stiffener (Part #5003655000)
 - (3) Wood Slat
 - (4) Tilt Wand (optional) (Part #12-94-4-COLOR)
 - (5) Braided Ladder
 - (6) Bottom Rail
 - (7) Wood Tassel (Part #12-90-1-COLOR)
 - (8) Lift Cords
 - (9) Safety Cord Stop (Part #7007736-COLOR)
 - (10) Installation Bracket (Part #B5-41-8-COLOR)
 - (11) Valance Kwik-Klip (Part #12-70-2006)
 - (12) Center Support Bracket* (Part #12-70-4015)
 - (13) Extension Brackets* (Part #12-70-9004)
 - (14) Valance
 - (15) Spacer Block* (Part #13-70-4000)
1/4" Spacer Block* (Part #6623900000)
 - (16) Hold-down Bracket Set*
(Part #20-0250-LR05) – White
(Part #20-0250-LR00) – Zinc
 - (17) Tape Buttons (Part #7004035-COLOR)
 - (18) Wand Tilter (Part #5003768000)
 - (19) Cord Lock Assembly (Part #5003364000)
 - (20) Tape Drum (Part #12-70-4170)
 - (21) Wand Connector Kit (Part #7008700000)
 - (22) Cord Tilter (Part #5003873748)
 - (23) Brass Eyelet Ladder Crimp (Part #12-70-9002)
- * Not required on every blind

Controls

- Cords are **color coordinated** with slats
- Standard Cord length = 1/2 blind height

CONTROL POSITIONS:

- Tilt Cord **left** / Lift Cord **right** (standard)
- Lift Cord **left** / Tilt Cord **right**
- Tilt & Lift Cords *grouped left*
- Tilt & Lift Cords *grouped right*
- Tilt Cord **center** and no Lift Cord

Min. Width
12"
12"
18 1/8"
18 1/8"
Under 12" Net

Tilt Wand (optional)

- Wood tilt wands are **color coordinated** with slats
- Chart shows standard lengths. Specify other when ordering.

Wood Wands up to 48" long. Clear plastic in 60", 70", 78", 90" or 120". Wand length optional. Specify optional lengths when ordering.

Wand Length	Blind Height
12"	12" - 24"
20"	24 1/8" - 40"
24"	40 1/8" - 60"
36"	60 1/8" - 84"
48"	84 1/8" +

Ladder/Tape Placement Charts

- 1-3/8", 2" and 2-3/8" Blinds

The following charts show the number of ladders based on the width of the blind.

1-3/8" WOOD	
Blind Width	# of Ladders
8" - 36"	2
36 1/8" - 56 1/4"	3
56 3/8" - 78 1/4"	4
78 3/8" - 100 1/4"	5
100 3/8" - 102"	6

2" WOOD	
Blind Width	# of Ladders
8" - 36"	2
36 1/8" - 56 1/4"	3
56 3/8" - 78 1/4"	4
78 3/8" - 100 1/4"	5
100 3/8" - 102"	6

2-3/8" WOOD	
Blind Width	# of Ladders
8" - 36"	2
36 1/8" - 52"	3
52 1/8" - 72"	4
72 1/8" - 92"	5
92 1/8" - 102"	6

Stack-Up Chart (approximate)

- Headrail+Bottomrail

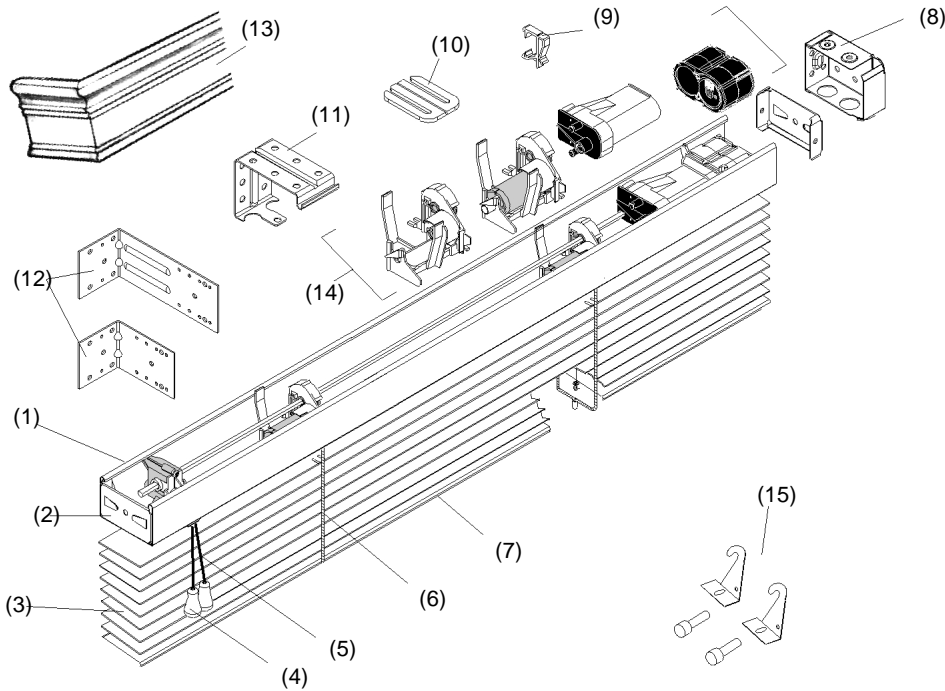
The following charts show the stacking height of the slats when the blind is fully raised. Add in HR+BR for total.

1-3/8" WOOD		
+ 2 1/2"		
Blind Height	Stack Height	
48"	5 3/4"	
60"	7 3/8"	
72"	8 3/4"	
84"	10 1/4"	
96"	11 3/4"	

2" WOOD		
+ 2 1/2"		
Blind Height	Stack Height	
48"	4"	
60"	5"	
72"	6"	
84"	7"	
96"	8"	

2-3/8" WOOD		
+ 2 1/2"		
Blind Height	Stack Height	
48"	3 1/8"	
60"	3 7/8"	
72"	4 5/8"	
84"	5 3/8"	
96"	6 1/4"	

FEATURES & OPTIONS – CORDLESS LIFT SYSTEM



- (1) Slim Design Headrail
- (2) End Stiffener
- (3) Wood Slat
- (4) Wood Tassels
- (5) Lift Cords
- (6) Braided Ladder
- (7) Bottom Rail
- (8) Installation Bracket
(Part #05-41-8XXX)
- (9) Valance Kwik-Klip
(Part #12-70-2006)
- (10) Headrail Shim*
(Part #13-70-4000)
- (11) Center Support Bracket*
(Part #12-70-4015)
- (12) Extension Brackets*
Long (Part #02-70-9004)
Short (Part #02-70-9007)
- (13) Valance
- (14) Pre-installed cordless lift motor set
- (15) Hold-down Bracket Set*
(Part #20-0250-LR05-White)
(Part #20-0250-LR00-Zinc)

* Not required on every blind

Controls

- Available with tilt cords or tilt wand
- Tilt cords are **color coordinated** with slats
- Standard tilt cord length = 1/2 blind height
See tilt wand info on preceding page for wand lengths
- **LIFT** function is controlled from the bottom rail

TILT CONTROL POSITIONS:

Tilt Cord or Wand **left** (only)

Min. Width
18"

Ladder/Tape Placement Charts

- 2" Blinds

The following charts show the number of ladders based on the width of the blind.

1-3/8" WOOD	
Blind Width	# of Ladders
N/A	

2" WOOD	
Blind Width	# of Ladders
18" - 36"	2
36 1/8" - 56 1/4"	3
56 3/8" - 78 1/4"	4
78 3/8" - 100 1/4"	5
100 3/8" - 102"	6

2-3/8" WOOD	
Blind Width	# of Ladders
N/A	

Stack-Up Chart (approximate)

- Headrail+Bottomrail

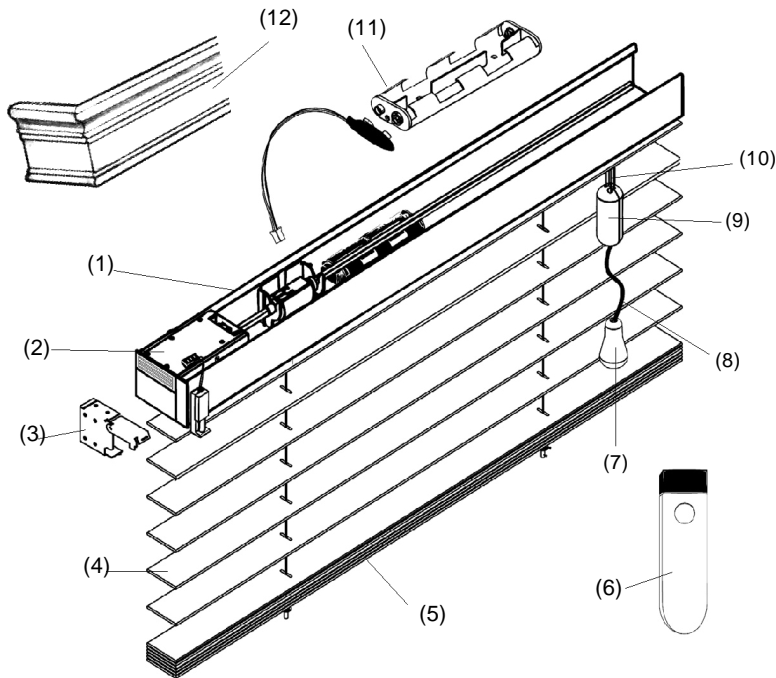
The following charts show the stacking height of the slats when the blind is fully raised. Add in HR+BR for total.

1-3/8" WOOD	
Blind Height	Stack Height
N/A	

2" WOOD	
Blind Height	Stack Height
48"	4"
60"	5"
72"	6"
84"	7"
96"	8"

2-3/8" WOOD	
Blind Height	Stack Height
N/A	

FEATURES & OPTIONS – TILT MOTOR SYSTEM



- (1) Slim Design Headrail
- (2) Tilt Motor
- (3) Installation Bracket
(Part #05-41-8XXX)
- (4) Wood Slat
- (5) Bottom Rail
- (6) Remote Control Unit*
(must order separately)
- (7) Wood Tassel
- (8) Single Lift Cord
- (9) Safety Stop Tassel
- (10) Multiple Lift Cords
- (11) Battery Pack & Connector
- (12) Valance

* One remote control unit can control multiple blinds in one room

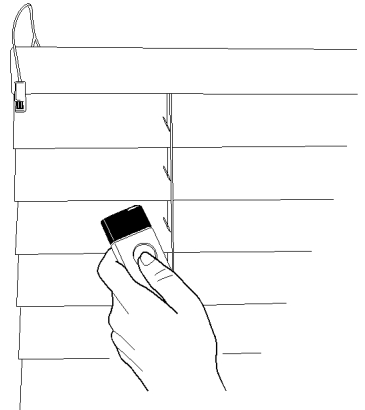
Controls

- Lift cords are color **coordinated** with slats
- Standard lift cord length = 1/2 blind height
- **TILT** function is motor controlled from remote unit

CONTROL POSITIONS:
Lift Cord **right** (standard)
Lift Cord **left**

Min. Width
12"
12"

NOTE: Tilt motor retrofit KITS are also available for existing installed blinds. See page 15.



Ladder/Tape Placement Charts

- 1-3/8", 2" and 2-3/8" Blinds

The following charts show the number of ladders based on the width of the blind.

1-3/8" WOOD	
Blind Width	# of Ladders
8" - 36"	2
36 1/8" - 56 1/4"	3
56 3/8" - 78 1/4"	4
78 3/8" - 100 1/4"	5
100 3/8" - 102"	6

2" WOOD	
Blind Width	# of Ladders
8" - 36"	2
36 1/8" - 56 1/4"	3
56 3/8" - 78 1/4"	4
78 3/8" - 100 1/4"	5
100 3/8" - 102"	6

2-3/8" WOOD	
Blind Width	# of Ladders
8" - 36"	2
36 1/8" - 52"	3
52 1/8" - 72"	4
72 1/8" - 92"	5
92 1/8" - 102"	6

Stack-Up Chart (approximate)

- Headrail+Bottomrail

The following charts show the stacking height of the slats when the blind is fully raised. Add in HR+BR for total.

1-3/8" WOOD	
+ 2 1/2"	
Blind Height	Stack Height
48"	5 3/4"
60"	7 3/8"
72"	8 3/4"
84"	10 1/4"
96"	11 3/4"

2" WOOD	
+ 2 1/2"	
Blind Height	Stack Height
48"	4"
60"	5"
72"	6"
84"	7"
96"	8"

2-3/8" WOOD	
+ 2 1/2"	
Blind Height	Stack Height
48"	3 1/8"
60"	3 7/8"
72"	4 5/8"
84"	5 3/8"
96"	6 1/4"