



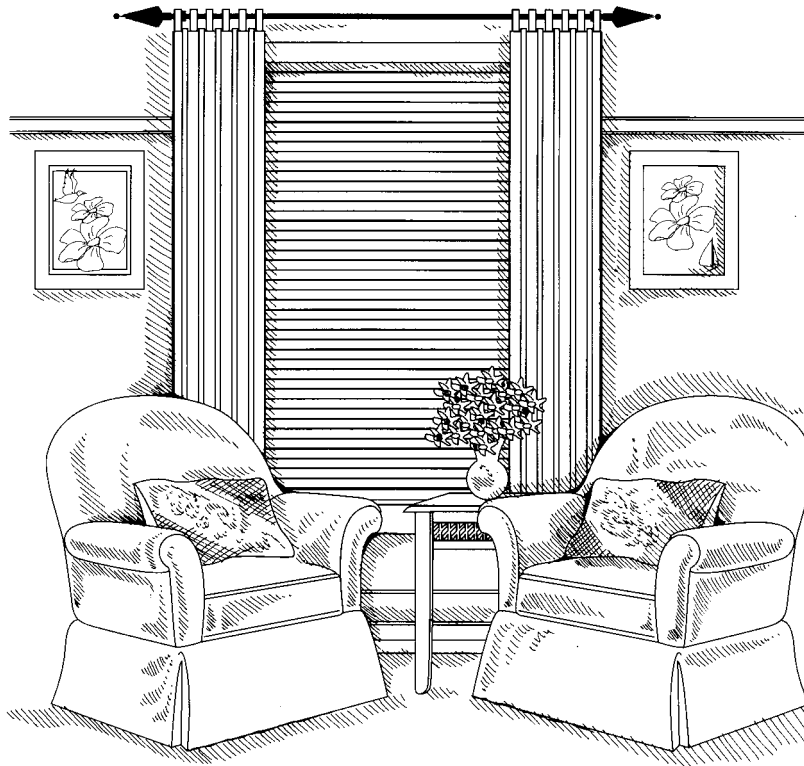
aluminum blinds



PRICE LIST AND PRODUCT INFORMATION GUIDE
FOR ½", 1" & 2" **ALUMINUM** HORIZONTAL BLINDS

April 2010

The name Bali[®] has been synonymous with mini blinds for nearly four decades. Today, Bali proudly holds a leadership position among all product offerings within the window fashions industry. It captures the essence of today's decor trends, and provides style, selection and functional attributes at an affordable price.



Ordering Information – Aluminum Blinds

How To Place an Order

THE FOLLOWING MUST BE SPECIFIED TO PLACE YOUR ORDER:

NOTE: Multiple blinds on one headrail may be required for certain sizes, see pages 8, 10, 12, 14, 16, 18 & 26

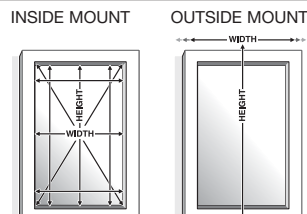
1. QUANTITY OF BLINDS

2. SIZE OF BLIND:

width first, then height. See pages 5, 20, 23, 28, 29 & 30 for “How to Measure” instructions

3. INSIDE OR OUTSIDE MOUNT:

For inside window frame installation, mark order “Inside Mount”. For outside window frame installation, mark order “Outside Mount”.



4a. CONTROL LOCATIONS:

Indicate whether controls should be located on the left, or right or same side of the blind (Tilt left/lift right is standard).

NOTE: Dual headrail skylight blind is tilt only; no lift.

4b. CONTROL OPTIONS:

Standard or cordless

5. BLIND:

When placing your order, specify:

- Blind type
- Color name
- Color number

6. OPTIONS:

The following options are available (see page 28-31):

- Multiple blinds on one headrail
- Cut-outs
- Multi-colored striped blinds
- ControlMate® (2" Heritage™ Aluminum only)

7. SPECIALTY SHAPES:

See page 32.

8. DELIVERY:

Indicate "sold to" and “ship to” address.

To Price Your Order

1. Select blind type, size, color and options.
2. Add together the base price for the blind and options to determine total price of the blind.

Most Common Errors When Ordering

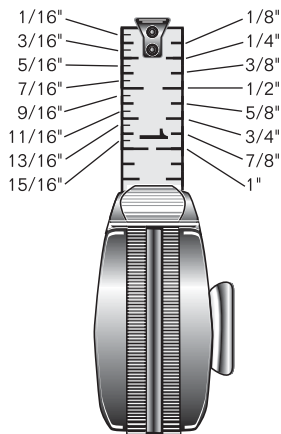
1. Mounting information (inside or outside) is not specified.
2. Control position (left or right) is not specified.
3. Color invalid or color name and color number do not match
4. Width and height measurements ordered are under/over allowed product specifications.
5. Blinds and shades that must be manufactured as two or three on one headrail are missing required customer approval.
6. Product type is not verified.
7. Purchase order number or reorder reason is missing.
8. Order is not verified by store associate to ensure there is no missing information and the order is legible.
9. Template not supplied for non-perfect specialty arches. (Template is required!)

Measuring Information

How to Measure

Measure each window individually as size variances are common. Record **width** first, then **height** (also referred to as length) to the nearest $\frac{1}{8}$ ". Measure width from left to right, height from top to bottom using a steel tape measure.

Do not use a cloth tape.

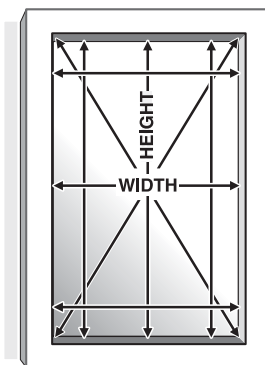


INSIDE MOUNT

Inside mount blinds are installed inside the window casing. The window casing must be at least $\frac{3}{4}$ " deep for $\frac{1}{2}$ " and 1" inside mount blinds ($1\frac{1}{4}$ " for 2" Aluminum).

1. Measure the exact **width** of window casing from one inside edge to the other in **three** different places. Record the narrowest measurement.

2. Measure the exact **height** in **three** different places from top edge of opening to top of sill. Record the longest measurement.
3. Measure the window diagonally in two places as shown. If the two diagonal dimensions are not equal, we recommend an outside mount application for optimal shade function and aesthetics.
4. Do not take deductions. Allowances are made at the factory to ensure a perfect fit.

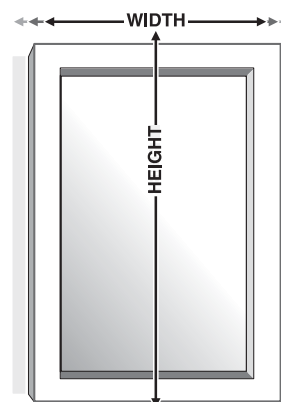


OUTSIDE MOUNT

Outside mount blinds are installed outside the window casing, covering an area larger than the window itself.

1. Measure the exact **width** to be covered. If window opening allows, overlap by at least $1\frac{1}{2}$ " on each side (3" total overlap) to ensure light control and privacy.

2. Measure the exact **height** to be covered, including desired overlap (typically from top edge of molding to bottom edge, or to top of sill if there is one).
3. The factory makes **NO** allowances on outside mount.



Cleaning Information

Cleaning Instructions

Occasional light vacuuming with a brush attachment should keep blinds clean. More severe soiling can be removed by using a soft cloth and a mild detergent and water solution.



Because Dust Never Sleeps ... Advanced Finishing Technology

On the surface most aluminum blinds are the same. They get dusty. Sometimes get scratched. Occasionally get stained. The causes: electrostatic buildup and simple day-to-day usage.

Now there's a finish that does more than just reduce dust buildup. Springs Window Fashions' finish actually repels and resists scratching and staining. How? With a technologically advanced finish that reduces static electricity and creates a smoother, harder, less porous surface. The end result? Dust literally slides off the blinds. Stains don't penetrate the surface and can easily be wiped off without scratching the paint. Blinds stay cleaner longer and even resist mold and mildew.

- **Anti-static dust control:** Inhibits dust from collecting on blind.
- **Stain inhibitors:** Smoother, less porous surface makes spills and stains easier to wipe clean.
- **Scratch resistance:** A harder, more durable surface resists scratching.
- **Long-lasting protection:** A solid-resin additive is in the paint, not just an anti-static surface coating which can wear out over time.
- **Resists bacterial growth:** Antimicrobial properties resist bacterial and fungal growth, reducing mold and mildew in high humidity areas.



Options Chart

Features	Customiser® Aluminum	1" LightBlocker™ 6 & 8 Gauge Aluminum-Standard	1" LightBlocker 6 & 8 Gauge Aluminum-Privacy	Cordless 1" LightBlocker 6 & 8 Gauge Aluminum-Standard	Cordless 1" LightBlocker 6 & 8 Gauge Aluminum-Privacy	1/2" LightBlocker Micro Aluminum	Incline Wire	Dual Headrail	2" Heritage™ Aluminum
Advanced Finishing Technology to repel dust and resist scratching	x	x	x	x	x	x	x	x	x
Compact steel box headrail	x						x	x	
Stylish, yet heavy duty 1" x 1½" steel headrail with light blocking lip requires no valance		x	x			x			
Sleek, aluminum headrail				x	x				
Patented 1⅝" x 2¼" SureTight® heavy duty steel box headrail with lightblocking lip									x
Color-coordinated components		x	x	x	x	x	x	x	x
Hidden installation brackets		x	x	x	x	x			
Hidden rout hole design for additional privacy and light control			x		x				
No lift cords for a clean, uncluttered appearance				x	x				
OPTIONS									
Standard Control Location (Tilt left, lift right)	x	x	x	Tilt left	Tilt left	x	x	Tilt left	x
Reverse Control Location	x	x	x	Tilt right	Tilt right	x	x	Tilt right	x
Same Side Control Location	x	x	x			x	x		x
Special Control Length	x	x	x			x	x	x	x
Cord Tilt									Standard
Wand Tilt	Standard	Standard	Standard	Standard	Standard	Standard	Standard	x	x
Ring Tilt & Ring Pull – 4"	x	x	x			x	x	Standard	x
Side Mount	Standard	x	x			x	Standard	Standard	Standard
Multiple Blinds on One Headrail	x	x	x	x	x	x			x
Cut-Outs		x	x			x			x
Cloth Tapes									x
Bay or Corner Window	x	x	x	x	x	x			x
Multi-Colored Striped Blinds		x	x	x	x	x			x
Double Slatted Blinds		x	x						
ControlMate® Remote Control									x
Special Shapes		x				x			

1" Customiser[®] Aluminum Blinds

Features

- 6-gauge 1" aluminum slat
- Compact 1" x 1" steel headrail
- Standard 2-slat valance
- 3/8" x 3/4" steel bottomrail
- Clutch wand tilter and crash-proof cordlock
- Neutral milky white components
- Box brackets for top, back and side mount blinds
- Limited lifetime warranty

Size Considerations

Minimum blind width: 5½" exact (5½" to 8⁵/₁₆" center tilt only)

Maximum blind width: 120"

Minimum blind height: 6"

Maximum blind height: 126"

Minimum depth required for flush mount: 1⁵/₁₆"

Minimum depth required for inside mount: 3/4"

Two or three blinds on one headrail:

Minimum blind width of individual blind - 9" exact

Maximum finished blind width: 192"

(can be two or three on one headrail)

Gap between blinds - 1/4"

Colors

STANDARD COLORS AVAILABLE

Alabaster.....	112	Lamplight.....	904
Almost White Gloss....	065	Matte White.....	042
Aluminum.....	034	Mauve.....	123
Angel Fire.....	972	Midnight Blue.....	057
Beige.....	011	Milk Chocolate.....	060
Black Satin.....	233	Pale Pink.....	082
Char Brown.....	062	Parchment.....	535
Creamy Beige.....	670	Pinon.....	957
Crystal White.....	629	Pitch Black.....	033
Essence.....	623	Raw Umber.....	006
Fawn.....	031	Real Red.....	085
Flax.....	541	Smokey Gray.....	026
Forest Green.....	061	True Blue.....	089
Forest Shadow.....	087	True White.....	544
Garnet Red.....	106	Vanilla.....	100
Granite.....	044	White Gloss.....	005
Gray Haze.....	983	White Satin.....	205
Gulf Blue.....	017		
Ice.....	778		

SPECIALTY COLORS AVAILABLE AT NO EXTRA CHARGE

Alabaster Pearl.....	326	Ash Metallic.....	126
Aluminum Texture.....	064	Brushed Aluminum.....	121



Available on all colors

1" LightBlocker™ 6 Gauge Aluminum Blinds

Features

- 6 gauge 1" aluminum slat
- Heavy-duty 1" x 1½" steel headrail
- Sleek, lightblocking headrail requires no valance
- ⅞" x 1¼" steel enclosed bottomrail with bumper pads
- Clutch wand tilter and crash-proof cord lock
- Color-coordinated components
- Hidden bracket system for top and back mount blinds
- Limited lifetime warranty

Cordless Option Features

- Sleek, color-coordinated aluminum headrail
- Internal belt-driven motor for smooth, quiet operation
- Dust cover reduces dust build-up which could slow down internal workings
- Acrylic handle keeps the blind clean

Size Considerations

Minimum blind width: 5½" exact (5½" to 8⅛" center tilt only)
With cordless option: 18" exact

Maximum blind width: 142"
With cordless option: 96"

Minimum blind height: 6"
With cordless option: 12"

Maximum blind height: 126"
With cordless option: 84"

Minimum depth required for inside mount: ¾"
Flush with casing: 1¼"
Flush with casing cordless option: 2⅛"

Standard two or three blinds on one headrail:
Minimum blind width of individual blind: 9" exact
Maximum finished blind width: 192"
(can be two on one headrail or three on one headrail)
Gap between blinds: ¼"

Cordless two or three blinds on one headrail:
Maximum finished blind width of individual blind: 60"
Maximum finished blind width:
Two on one headrail: 120"
Three on one headrail: 144"
Gap between blinds: ⅜"

Clearance for cordless: 1"
Clearance is the distance from backside of slat stack to back of bracket. This allows the blind to be mounted above window frame for outside mount without extension brackets. The control for the center panel on a 3 on 1 cordless blind will always be on the left.

Colors

STANDARD COLORS AVAILABLE

Alabaster	2112	Horizon	2224
Almond	2724	Hunter Green	2154
Almost White Gloss	2065	Ice	2778
Aluminum	2034	Indigo	2394
Angel Fire	2972	Lamplight	2904
Beige	2011	Magnet	2648
Bisque Green	2928	Matte White	2042
Black Satin	2233	Mauve	2123
Buff	2624	Mercury	2771
Burgundy	2653	Midnight Blue	2057
Camel	2086	Milk Chocolate	2060
Cameo	2607	Morning Glory	2639
Char Brown	2062	Pale Pink	2082
Charcoal	2591	Parchment	2535
Coconut	2630	Pinon	2957
Cornsilk	2357	Pitch Black	2033
Creamy Beige	2670	Raw Umber	2006
Crystal White	2629	Real Red	2085
Desert Sand	2625	Smokey Gray	2026
Essence	2623	Snowcap White	2386
Faded Denim	2631	Stucco	2963
Fawn	2031	Summer Sky	2422
Flax	2541	Teaberry	2501
Forest Green	2061	Tender Taupe	2103
Forest Shadow	2087	True Blue	2089
Frosted Jade	2628	True White	2544
Garnet Red	2106	True White Gloss	2638
Granite	2044	Vanilla	2100
Gray Haze	2983	White Gloss	2005
Greige	2122	White Satin	2205
Gulf Blue	2017		

SPECIALTY COLORS AVAILABLE AT NO EXTRA CHARGE

Alabaster Frost	2358	Fawn Pearl	2327
Alabaster Pearl	2326	Indian Bronze	2105
Aluminum Texture	2064	Silver	2737
Ash Metallic	2126	White Gold	2213
Beige Pearl	2328	White Pearl	2637
Brushed Aluminum	2121		



Available on all colors

1/2" LightBlocker™ Micro Aluminum Blinds

Features

- 6 gauge 1/2" aluminum slat
- Heavy-duty 1" x 1 1/2" steel headrail
- Sleek, lightblocking headrail requires no valance
- 3/8" x 3/4" steel c-shape bottomrail
- Clutch wand tilter and crash-proof cord lock
- Color-coordinated components
- Hidden bracket system for top and back mount blinds
- Limited lifetime warranty

Size Considerations

Minimum blind width: 5 1/2" exact (5 1/2" to 8 15/16" center tilt only)

Maximum blind width: 120"

Minimum blind height: 6"

Maximum blind height:

Blind width 22" or less: 96"

Blind width greater than 22": 108"

Minimum depth required for inside mount: 3/4"

Flush with casing: 1 1/4"

Standard two or three blinds on one headrail:

Minimum blind width of individual blind: 9" exact

Maximum finished blind width of individual blind: 120"

Maximum finished blind width: 192"

(can be two on one headrail or three on one headrail)

Minimum finished blind height: 6"

Maximum finished blind height : 108"

Gap between blinds: 1/4"

Colors

STANDARD COLORS AVAILABLE

Alabaster.....	2112	Gulf Blue.....	2017
Almost White Gloss....	2065	Ice.....	2778
Aluminum.....	2034	Lamplight.....	2904
Angel Fire.....	2972	Magnet.....	2648
Beige.....	2011	Matte White.....	2042
Bisque Green.....	2928	Mauve.....	2123
Black Satin.....	2233	Midnight Blue.....	2057
Cameo.....	2607	Milk Chocolate.....	2060
Char Brown.....	2062	Pale Pink.....	2082
Charcoal.....	2591	Parchment.....	2535
Creamy Beige.....	2670	Pinon.....	2957
Crystal White.....	2629	Pitch Black.....	2033
Essence.....	2623	Raw Umber.....	2006
Faded Denim.....	2631	Real Red.....	2085
Fawn.....	2031	Smokey Gray.....	2026
Flax.....	2541	True Blue.....	2089
Forest Green.....	2061	True White.....	2544
Forest Shadow.....	2087	True White Gloss.....	2638
Garnet Red.....	2106	Vanilla.....	2100
Gray Haze.....	2983	White Gloss.....	2005
Greige.....	2122	White Satin.....	2205

SPECIALTY COLORS AVAILABLE AT NO EXTRA CHARGE

Alabaster Pearl.....	.2326	Silver.....	.2737
Aluminum Texture...	.2064	White Gold.....	.2213
Fawn Pearl.....	.2327	White Pearl.....	.2637
Indian Bronze.....	.2105		



Available on all colors

2" Heritage™ Aluminum Blinds

Features

- 8 gauge 2" aluminum slat
- SureTight® slim profile steel headrail (1 1/8" x 2 1/4") with premium lightblocking lip
- Aluminum enclosed bottomrail (7/16" x 2")
- Deluxe 2" slat valance
- Cord tilt standard, wand tilt optional
- Crash proof cord lock
- Color-coordinated components
- Limited lifetime warranty

Size Considerations

Minimum blind width: 9" exact (9" to 11 15/16" center tilt only)
 12" to 16" (Standard or reversed standard controls)
 16 1/16" (Same side controls)

Maximum blind width: 142"

Minimum blind height: 10"

Maximum blind height: 126"

Minimum depth required:

- Inside mount: 3/4"
- Flush headrail mount: 2 5/8"
- Flush mount with valance: 3 1/8"

Two or three blinds on one headrail:

Maximum finished blind width: 142"
 (can be two or three blinds on one headrail. Does not increase the width over a single blind.)
 Gap between blinds - 1/4"

Colors

STANDARD COLORS AVAILABLE

Alabaster.....112	Indigo.....394
Alabaster Pearl326	Lamplight.....904
Almost White Gloss065	Snowcap White386
Aluminum Texture.....064	Stucco963
Black Satin233	Teaberry.....501
Burgundy653	True Blue.....089
Cameo607	True White.....544
Creamy Beige.....670	White Gloss005
Essence623	White Satin205
Forest Shadow087	
Hunter Green154	



Available on all colors

Cloth Tape Colors

1 1/2" CLOTH TAPE OPTION - COLORS AVAILABLE

Beige.....2011	Midnight Blue2057
Black.....2033	Provence Blue2293
Bordeaux2292	Silver.....2737
Celadon2294	Taupe2659
Cocoa2297	Toffee2296
Duck White2136	White.....2005
Forest.....2234	
Lake.....2295	
Light Beige2137	

1" CLOTH TAPE OPTION - COLORS AVAILABLE

Almond1724	Pale Cocoa.....1602
Bamboo.....1601	Sand1701
Gloss White.....1005	
Jade Green.....1392	

Options

Multiple Blinds On One Headrail

Two or three blinds can be installed on a single headrail to provide a practical treatment for larger windows or sliding patio doors.

OPTIONS:

Standard Controls

- 2 on 1 – Left panel Tilt/left - lift/left
Right panel Tilt/right - lift/right
- 3 on 1 – Left panel Tilt/left - lift/left
Center panel Tilt/left - lift/right
Right panel Tilt/right - lift/right

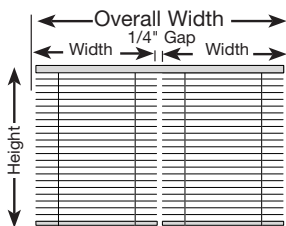
The control on cordless 3 on 1 headrail will always be on the left for the center panel. Non standard control positions can be requested.

MEASURING:

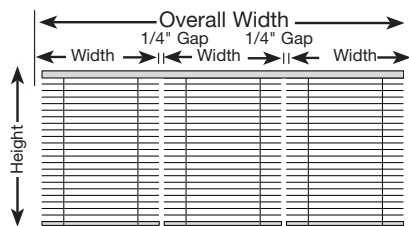
1. Measure overall width of the area to be covered.
If space permits, an overlap of 1½" per side is recommended for outside mounts.
2. Measure the width of the area each blind is to cover.
Measure and specify the left blind first, continuing to the right. Allow a minimum of ¼" between blinds for operating clearance. **Note: Cordless has ⅜" gap.**
3. Total width of all blinds, plus clearance(s) must equal overall width.
4. Measure height as follows:
 - a. For windows, use standard inside or outside measuring procedures.
 - b. For patio doors, measure height within ¾" of floor, either from ceiling or a point at least 6½" above the door frame. (Check slat count tables on pages 38 & 39 if blind is to completely clear the doorway.)

ORDERING:

1. Indicate blinds that are to be mounted on one headrail.
2. Specify total width of headrail.
3. Indicate each panel size, specify left blind first, continuing to the right.
4. Specify control positions, if other than standard.
5. Add applicable surcharge.



Two Blinds on one Headrail

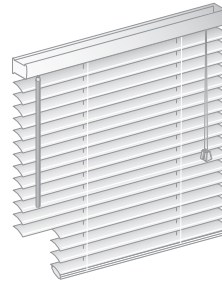


Three Blinds on one Headrail

NOTE: Cordless blinds have a ⅜" gap.

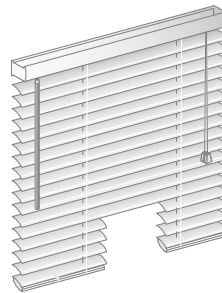
Cut-Out Blinds

(NOT AVAILABLE ON CORDLESS OR CUSTOMISER®)



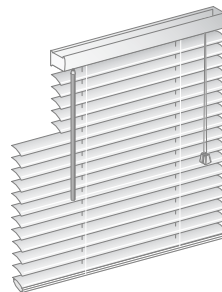
Bottom Corner:

No additional charge.
Maximum cut-out is blind width minus 10". A cut-out over 10" requires a false bottomrail.



Bottom Center:

No additional charge
Maximum cut-out width is blind width minus 20". A cut-out width over 10" requires a false bottomrail.
NOT AVAILABLE ON 2" BLINDS.



Top Corner:

No additional charge
Maximum cut-out width is limited to 1/4 of total blind width.
NOT AVAILABLE ON 2" BLINDS.

Note: Oversized cut-out will require an intermediate support rail.
Privacy Feature: maximum cut-out width is 10" for all cut-out locations.

Options

Multi-Colored Striped Blinds

Multi-colored blinds are the combination of two or more colors on one blind.

FEATURES:

1. Headrail and bottomrail will match the color of the top slat.
2. Ladder supports and lifts will be color-coordinated to the headrail color.
3. Contact Customer Service to change color coordination.

MEASURING:

1. Make a diagram of the blind, showing width and height.
2. From the slat count table (page 38 & 39), determine the total number of slats.
3. Bottomrail will match the color of the last slat if color pattern consists of at least 4 color slats in each color group. Otherwise, it will be the color of the headrail.

See pages 39 & 40 for slat count charts.

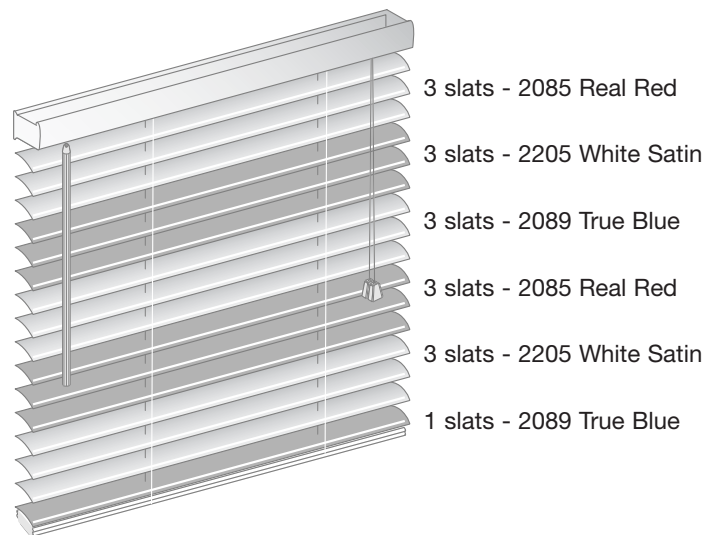
ORDERING:

1. Please specify if an exact or repeat pattern.
2. May specify headrail, bottomrail, ladder, and cord colors.

EXAMPLE OF EXACT PATTERN:

Multi-Color Diagram (sample of 1" LightBlocker™ Aluminum)

Width = 14"
 Height = 24"
 Total Slats = 16



Options

Corner Blinds and Bay Window Blinds

Corner shades are used to butt two shades together in a corner or bay window (illustration can be reversed).

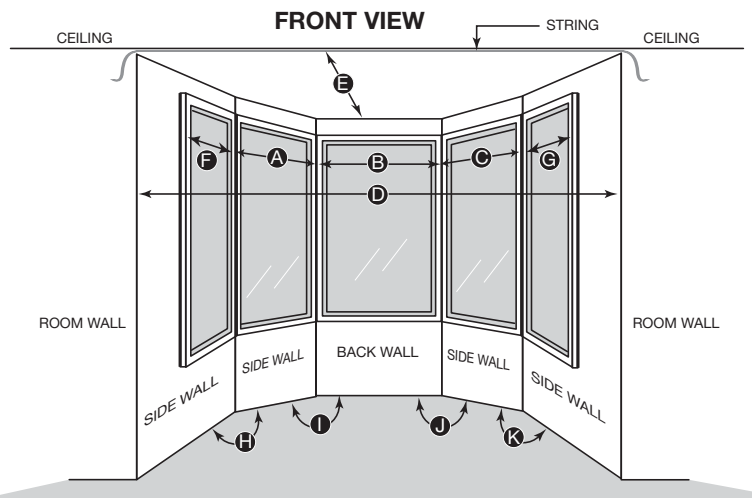
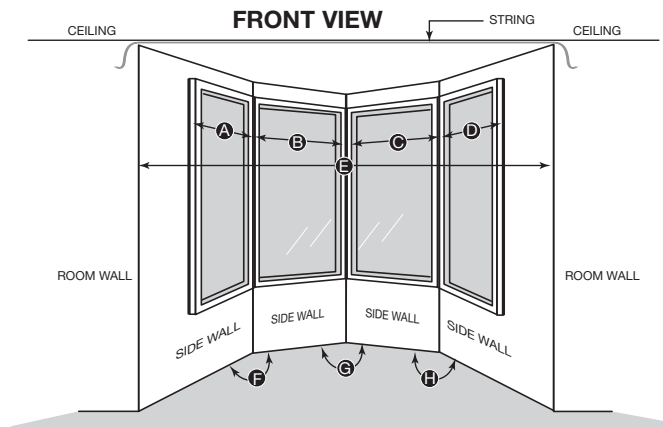
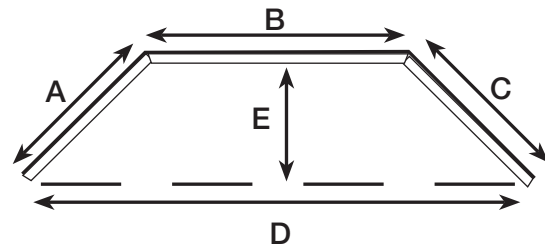
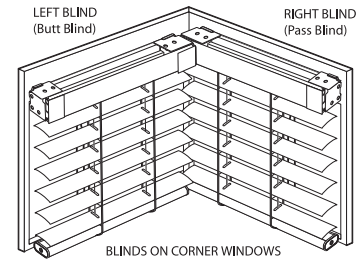
Options: Controls can be on the right or left side of each blind; placing controls opposite the corner is recommended.

Measuring: For bay windows, supply all four measurements (A, B, C, E)
 NOTE: Manufacturer will take deduction for bay or corner.

Ordering: Price as standard shades, no additional surcharge

Notes:

- Depending on the angle, some corner shades cannot be raised to the same height.
- Horizontal slat alignment between blinds cannot be guaranteed.
- Manufacturer will take appropriate deductions for corner or bay applications.



Measuring Guides

Three-Sided Bay Window

Measure:

- A & C. Width of side windows from the corners to the point you would like the blind to cover.
- B. Width of the center blind from corner to corner.
- D. Width of baseline across front of bay from corner to corner.
- E. Depth from the center of the baseline to the back center window.

Four-Sided Bay Window

Measure:

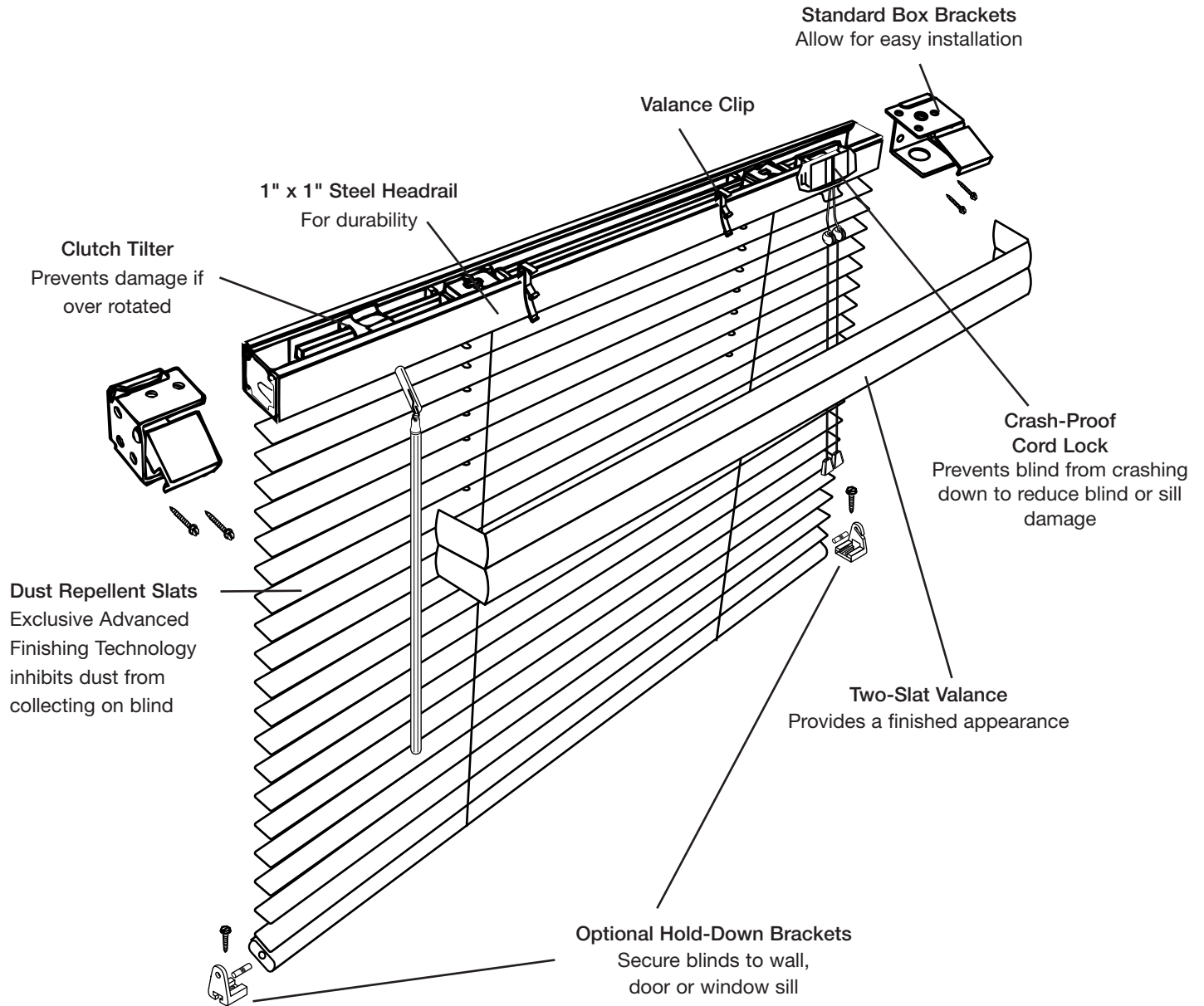
- A-D. Same as three-sided bay window.
- E. Width of baseline across front of bay from corner to corner.
- F. Angle between windows (A) and (B).
- G. Angle between windows (B) and (C).
- H. Angle between windows (C) and (D).

Five-Sided Bay Window

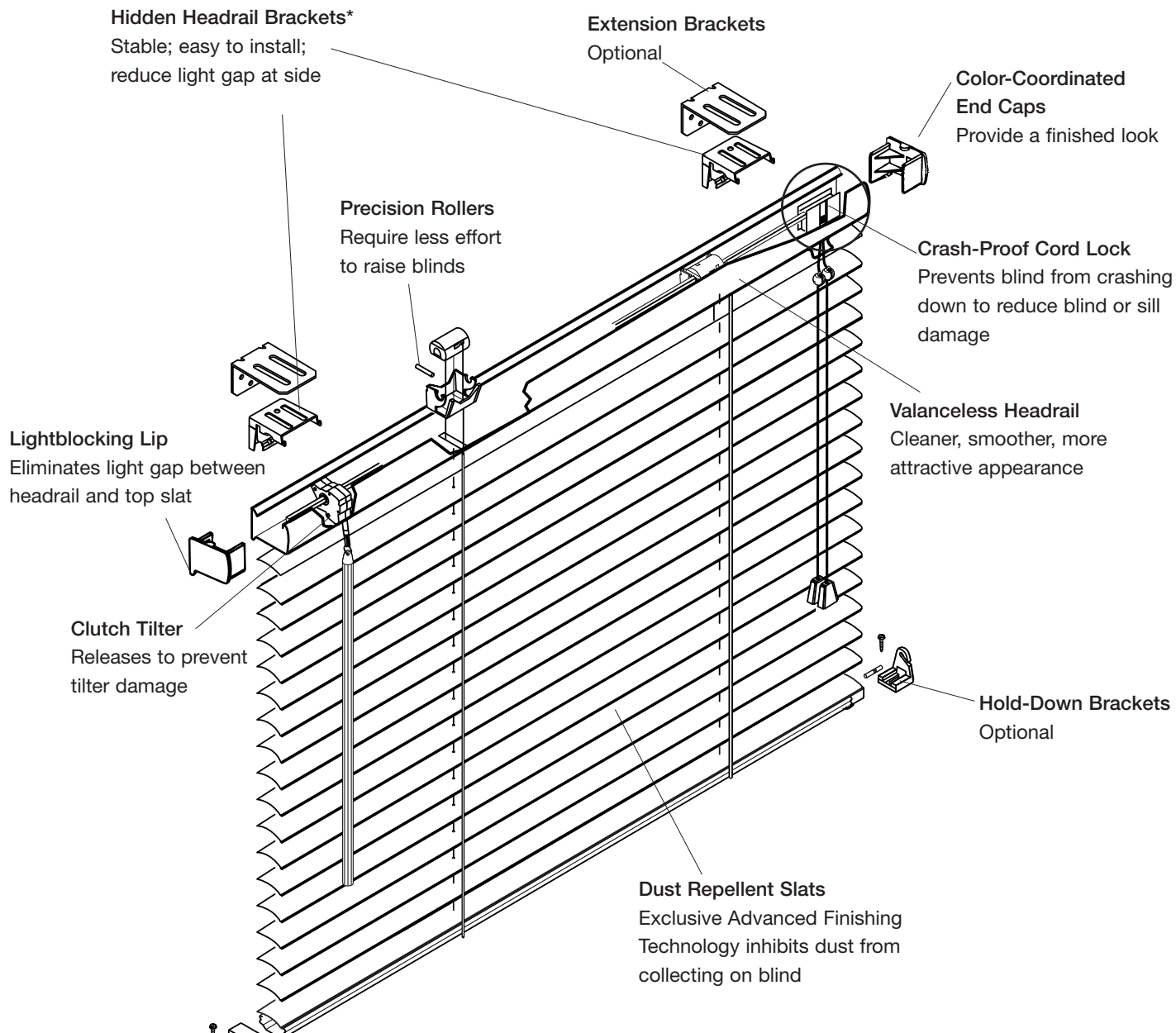
Measure:

- A-D. Same as three-sided bay window.
- F. Width of side window to side window corner (A).
- G. Width of side window to side window corner (C).
- H. Angle between windows (F) and (A).
- I. Angle between windows (A) and (B).
- J. Angle between windows (B) and (C).
- K. Angle between windows (C) and (G).

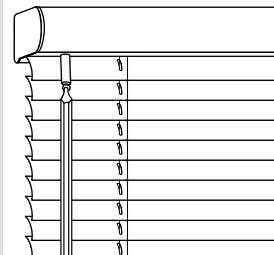
1" Customiser[®] Aluminum Blind



1/2" LightBlocker™ Micro & 1" LightBlocker Aluminum Blind



Bottomrail Bumper Pads
Provide cushioning and prevent
scratching between bottomrail and
window sill
(Not available on 1/2" LightBlocker
Micro)



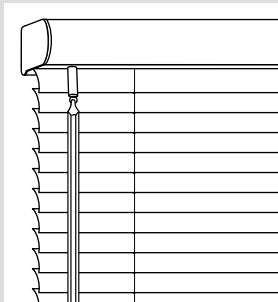
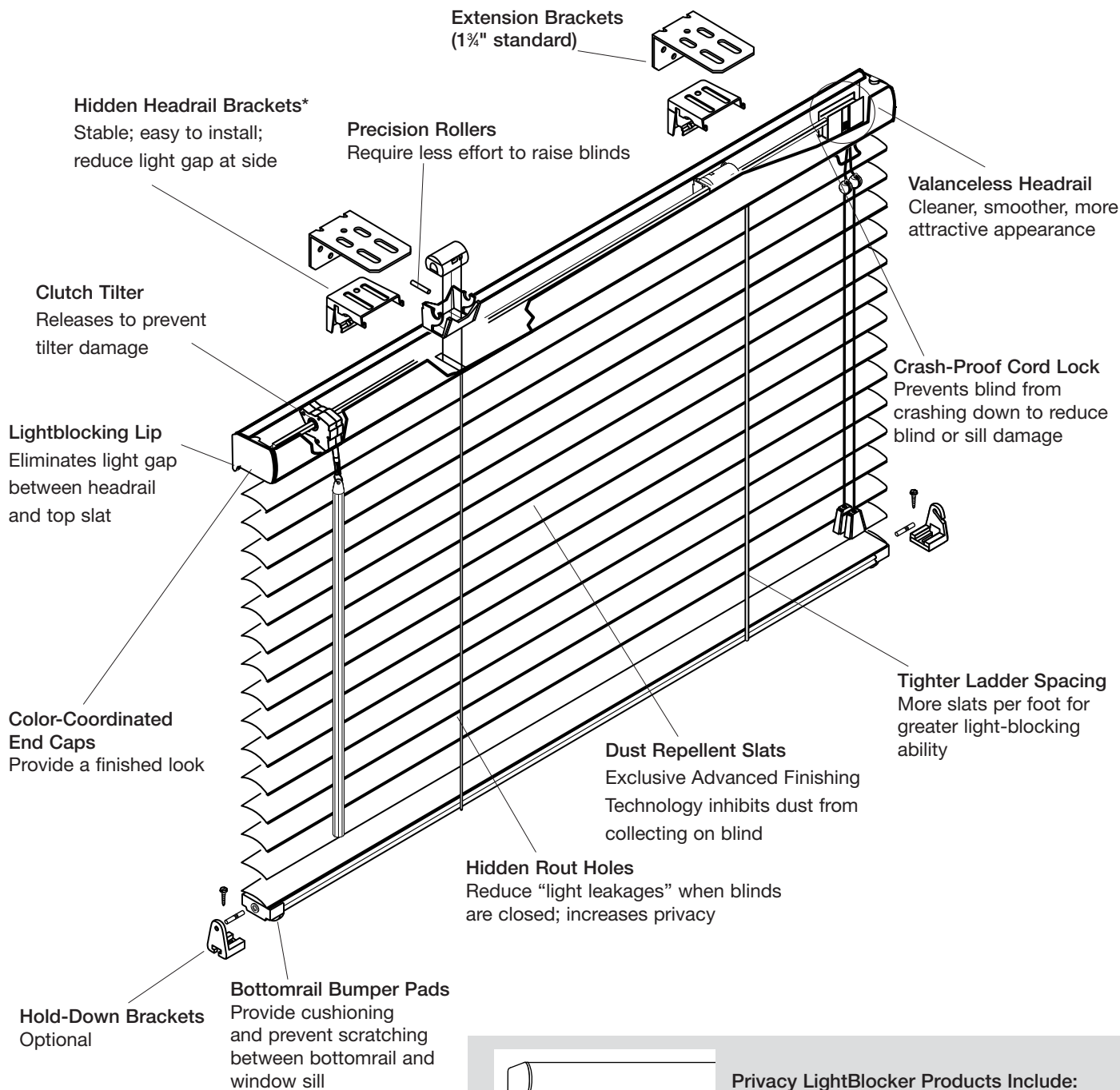
Standard Rout Holes

LightBlocker Products Include:

- 1" LightBlocker Aluminum (6 gauge)
- 1" LightBlocker Aluminum (8 gauge)
- 1/2" LightBlocker Aluminum Micro (6 gauge)

*Hidden brackets are used for top and back mounted blinds; side mount option is available on blinds up to 60" wide and must be specified at time of order.

1" LightBlocker™ Privacy Aluminum Blind



Rout holes "disappear" when blinds are closed.

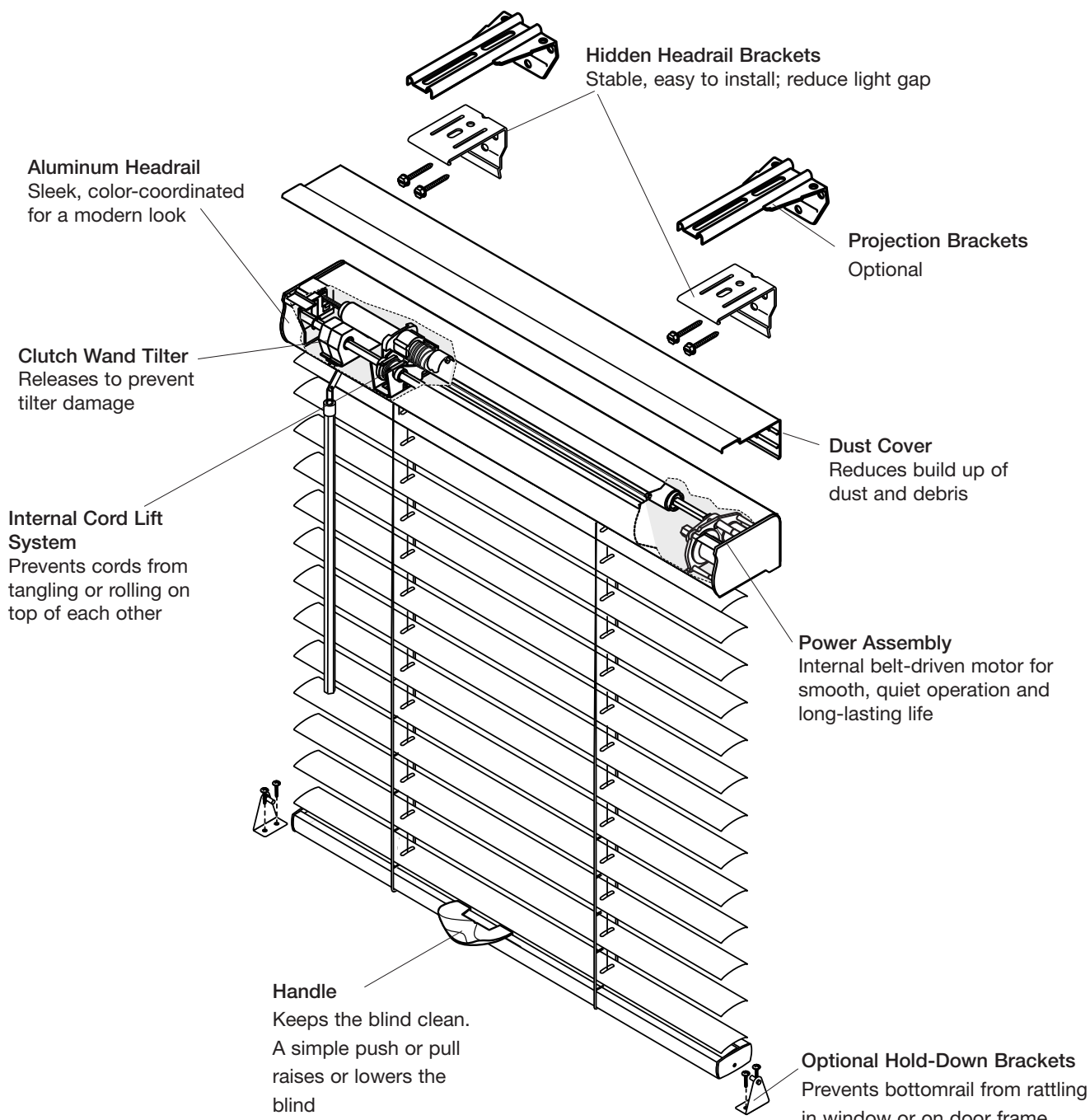
Privacy LightBlocker Products Include:

- 1" Privacy LightBlocker Aluminum (6 gauge)
- 1" Privacy LightBlocker Aluminum (8 gauge)

* Hidden brackets are used for top and back mounted blinds; side mount option is available on blinds up to 60" wide and must be specified at time of order.

1" LightBlocker™ Cordless Option

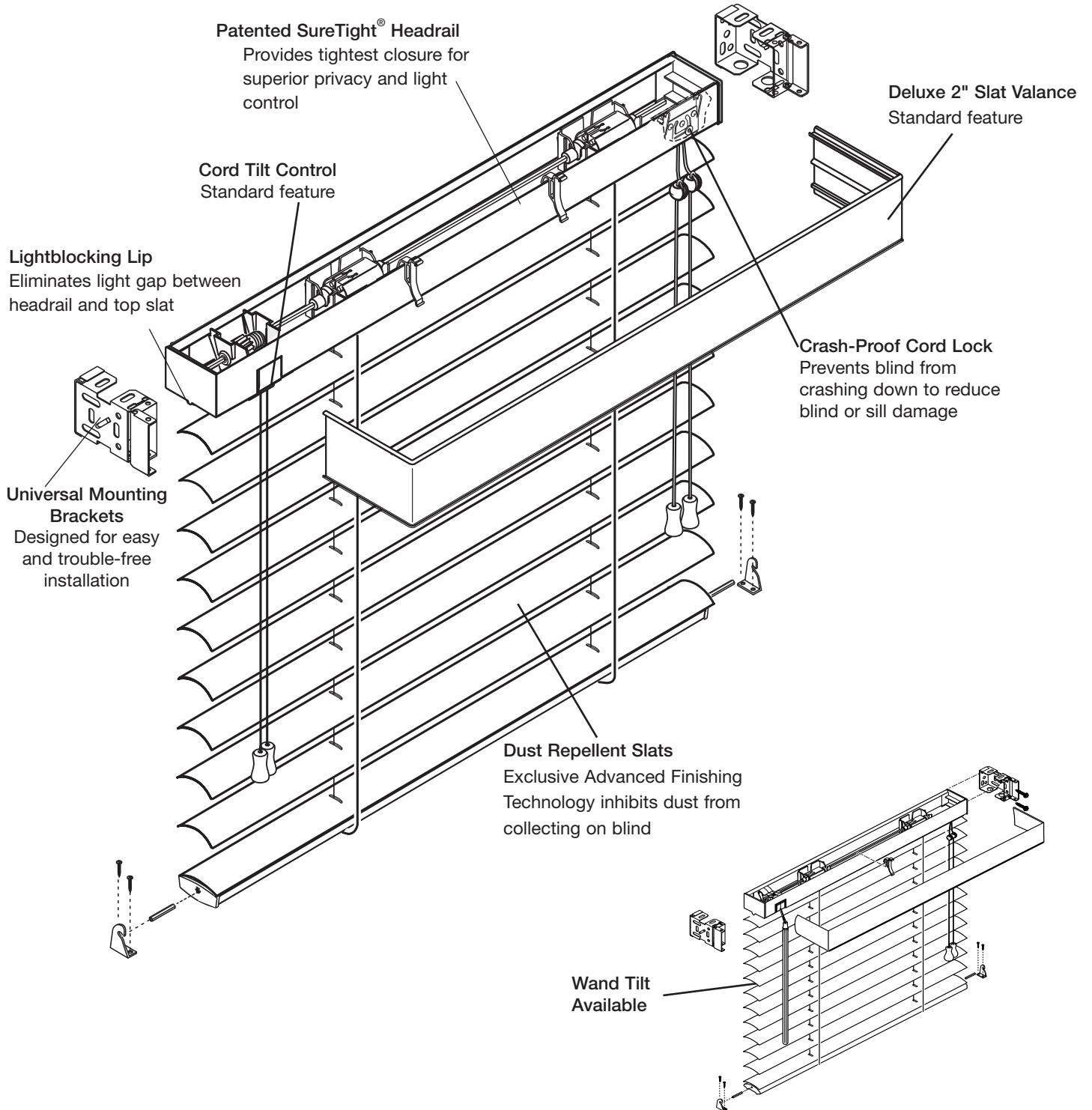
NOTE: Not available on Customiser®, ½" LightBlocker™ Micro, Specialty, Incline Wire, or Dual Headrail blinds.



Cordless blinds are the safest window blind alternative; ideal for homes with children and pets. Elimination of lift cords and cord loops provides a more attractive appearance.

Note: Cordless blinds should be installed only on windows where the consumer can comfortably raise and lower the blind with their hand. Very high windows should use corded blinds rather than cordless.

2" Heritage™ Aluminum Blind



Slat Count Table

FINISHED BLIND HEIGHT	1" LightBlocker™		1" LightBlocker Privacy		½" LightBlocker Micro	
	Slat Count	Finished Stack Height	Slat Count	Finished Stack Height	Slat Count	Finished Stack Height
10	11	2"	13	2	18	2 1/16"
11	12		14		20	
12	13		16		22	
13	15		17		24	
14	16		18		26	
15	17	2 1/16"	20	2 1/8"	28	2 1/4"
16	18		21		30	
17	19		23		32	
18	20		24		34	
19	22		26		36	
20	23	2 3/16"	27	2 1/4"	38	2 7/16"
21	24		28		40	
22	25		30		42	
23	26		31		44	
24	28		33		46	
25	29	2 1/4"	34	2 3/8"	48	2 11/16"
26	30		35		50	
27	31		37		52	
28	32		38		54	
29	33		40		56	
30	35	2 3/8"	41	2 1/2"	58	2 7/8"
31	36		43		60	
32	37		44		62	
33	38		45		64	
34	39		47		66	
35	40	2 1/2"	48	2 11/16"	68	3 1/8"
36	42		50		70	
37	43		51		73	
38	44		52		75	
39	45		54		77	
40	46	2 5/8"	55	2 3/4"	79	3 1/4"
41	48		57		81	
42	49		58		83	
43	50		59		85	
44	51		61		87	
45	52	2 3/4"	62	2 5/8"	89	3 7/16"
46	53		64		91	
47	55		65		93	
48	56		67		95	
49	57		68		97	
50	58	2 7/8"	69	3 1/16"	99	3 11/16"
51	59		71		101	
52	61		72		103	
53	62		74		105	
54	63		75		107	
55	64	3	76	3 1/4"	109	3 7/8"
56	65		78		111	
57	66		79		113	
58	68		81		115	
59	69		82		117	
60	70	3 1/8"	83	3 3/8"	119	4 1/16"
61	71		85		121	
62	72		86		123	
63	74		88		125	
64	75		89		127	

FINISHED BLIND HEIGHT	1" LightBlocker		1" LightBlocker Privacy		½" LightBlocker Micro	
	Slat Count	Finished Stack Height	Slat Count	Finished Stack Height	Slat Count	Finished Stack Height
65	76	3 1/4"	91	3 1/2"	129	4 1/4"
66	77		92		131	
67	78		93		133	
68	79		95		136	
69	81		96		138	
70	82	3 5/8"	98	3 11/16"	140	4 1/2"
71	83		99		142	
72	84		100		144	
73	85		102		146	
74	87		103		148	
75	88	3 7/16"	105	3 13/16"	150	4 11/16"
76	89		106		152	
77	90		108		154	
78	91		109		156	
79	92		110		158	
80	94	3 9/16"	112	3 15/16"	160	4 7/8"
81	95		113		162	
82	96		115		164	
83	97		116		166	
84	98		117		168	
85	100	3 11/16"	119	4 1/16"	170	5 1/8"
86	101		120		172	
87	102		122		174	
88	103		123		176	
89	104		124		178	
90	105	3 13/16"	126	4 1/8"	180	5 1/16"
91	107		127		182	
92	108		129		184	
93	109		130		186	
94	110		132		188	
95	111	3 15/16"	133	4 3/8"	190	5 1/2"
96	113		134		192	
97	114		136		194	
98	115		137		196	
99	116		139		199	
100	117	4 1/16"	140	4 1/2"	201	5 11/16"
101	118		141		203	
102	120		143		205	
103	121		144		207	
104	122		146		209	
105	123	4 3/16"	147	4 5/8"	211	5 7/8"
106	124		148		213	
107	125		150		215	
108	127		151		217	
109	128		153			
110	129	4 5/16"	154	4 13/16"		
111	130		156			
112	131		157			
113	133		158			
114	134		160			
115	135	4 3/8"	161	4 15/16"		
116	136		163			
117	137		164			
118	138		165			
119	140		167			

FINISHED BLIND HEIGHT	1" LightBlocker		1" LightBlocker Privacy	
	Slat Count	Finished Stack Height	Slat Count	Finished Stack Height
120	141	4 1/2"	168	5 1/16"
121	142		170	
122	143		171	
123	144		173	
124	146		174	
125	147	4 5/8"	175	5 3/16"
126	148		177	

NOTE: Finished blind heights include headrail and bottomrail.

Slat Count Table

FINISHED BLIND HEIGHT	Customiser®		2" Heritage™		FINISHED BLIND HEIGHT	Customiser		2" Heritage		FINISHED BLIND HEIGHT	Customiser		2" Heritage	
	Slat Count	Finished Stack Height	Slat Count	Finished Stack Height		Slat Count	Finished Stack Height	Slat Count	Finished Stack Height		Slat Count	Finished Stack Height	Slat Count	Finished Stack Height
10	10	1 1/16"	6	3 3/8	61	67		35		112	125		65	
11	11		7		62	69		36		113	126		65	
12	12		7		63	70		37		114	127		66	
13	13		8		64	71		37		115	128	3/8"	67	5 1/16"
14	14		8		65	72	2/8"	38	4/8"	116	130		67	
15	16	1 7/8"	9	3 1/2"	66	73		38		117	131		68	
16	17		9		67	74		39		118	132		68	
17	18		10		68	75		39		119	133		69	
18	19		11		69	76		40		120	134	4	69	5/8"
19	20		11		70	78	3	41	4/4"	121	135		70	
20	21	2	12	3/8"	71	79		41		122	136		71	
21	22		12		72	80		42		123	137		71	
22	23		13		73	81		42		124	139		72	
23	25		13		74	82		43		125	140	4 1/8"	72	6
24	26		14		75	83	3 1/8"	43	4 7/8"	126	141		73	
25	27	2 1/8"	15	3 1 1/16"	76	84		44						
26	28		15		77	85		45						
27	29		16		78	87		45						
28	30		16		79	88		46						
29	31		17		80	89	3 1/16"	46	5					
30	32	2 3/16"	17	3 1 3/16"	81	90		47						
31	34		18		82	91		48						
32	35		19		83	92		48						
33	36		19		84	93		49						
34	37		20		85	95	3 1/16"	49	5 1/8"					
35	38	2 5/16"	20	3 1 5/16"	86	96		50						
36	39		21		87	97		50						
37	40		22		88	98		51						
38	41		22		89	99		52						
39	43		23		90	100	3/8"	52	5 1/4"					
40	44	2 3/8"	23	4 1/16"	91	101		53						
41	45		24		92	102		53						
42	46		24		93	104		54						
43	47		25		94	105		54						
44	48		26		95	106	3 1/2"	55	5 3/16"					
45	49	2 1/2"	26	4 3/16"	96	107		56						
46	51		27		97	108		56						
47	52		27		98	109		57						
48	53		28		99	110		57						
49	54		28		100	111	3/8"	58	5 1/16"					
50	55	2 5/8"	29	4 5/16"	101	113		58						
51	56		30		102	114		59						
52	57		30		103	115		60						
53	58		31		104	116		60						
54	60		31		105	117	3 1 1/16"	61	5 3/16"					
55	61	2 1 1/16"	32	4 3/8"	106	118		61						
56	62		33		107	119		62						
57	63		33		108	120		63						
58	64		34		109	122		63						
59	65		34		110	123	3 1 3/16"	64	5 1 1/16"					
60	66	2 1 3/16"	35	4 1 1/2"	111	124		64						

NOTE: Finished blind heights include headrail and bottomrail.

Ladder Count Table

Customiser® Aluminum

FINISHED BLIND WIDTH	NUMBER OF LADDERS	NUMBER OF LIFTS
5½" to 8 ¹⁵ / ₁₆ "	2	2
9 to 11 ¹⁵ / ₁₆ "	2	2
12 to 20 ¹⁵ / ₁₆ "	2	2
21 to 37	2	2
37 ¹ / ₁₆ to 61	3	2
61 ¹ / ₁₆ to 85	4	4
85 ¹ / ₁₆ to 109	5	4
109 ¹ / ₁₆ to 120	6	4

Finished blind width:
 Inside Mount: Ordered width minus -½"
 Outside Mount: No deduction

1" LightBlocker™ Aluminum (Standard, Privacy and Cordless)

FINISHED BLIND WIDTH	NUMBER OF LADDERS	NUMBER OF LIFTS
5½" to 6 ¹⁵ / ₁₆ "	2	2
7 to 8 ¹⁵ / ₁₆ "	2	2
9 to 11 ¹⁵ / ₁₆ "	2	2
12 to 20 ¹⁵ / ₁₆ "	2	2
21 to 37	2	2
37 ¹ / ₁₆ to 61	3	2
61 ¹ / ₁₆ to 85	4	4
85 ¹ / ₁₆ to 109	5	4
109 ¹ / ₁₆ to 133	6	4
133 ¹ / ₁₆ to 142	7	4

Finished blind width:
 Inside Mount: Ordered width minus -¾"
 Outside Mount: No deduction

½" LightBlocker Micro Aluminum

FINISHED BLIND WIDTH	NUMBER OF LADDERS	NUMBER OF LIFTS
5½" to 6 ¹⁵ / ₁₆ "	2	2
7 to 8 ¹⁵ / ₁₆ "	2	2
9 to 11 ¹⁵ / ₁₆ "	2	2
12 to 22	2	2
22 ¹ / ₁₆ to 36	3	2
36 ¹ / ₁₆ to 50	4	2
50 ¹ / ₁₆ to 64	5	4
64 ¹ / ₁₆ to 78	6	4
78 ¹ / ₁₆ to 92	7	4
92 ¹ / ₁₆ to 106	8	4
106 ¹ / ₁₆ to 120	9	4

Finished blind width:
 Inside Mount: Ordered width minus -¾"
 Outside Mount: No deduction

2" Heritage™ Aluminum

FINISHED BLIND WIDTH	NUMBER OF LADDERS	NUMBER OF LIFTS
9 to 11 ¹⁵ / ₁₆ "	2	2
12 to 24	2	2
24 ¹ / ₁₆ to 36	2	2
36 ¹ / ₁₆ to 60	3	2
60 ¹ / ₁₆ to 84	4	4
84 ¹ / ₁₆ to 108	5	4
108 ¹ / ₁₆ to 132	6	4
132 ¹ / ₁₆ to 142	7	4

Finished blind width:
 Inside Mount: Ordered width minus -½"
 Outside Mount: No deduction

General Information

Control Lengths Chart - 1" & 1/2" Aluminum Horizontals

FINISHED BLIND HEIGHT	CONTROL LENGTH	WAND SIZE
Up to 17"	8"	6"
17 1/8 to 32"	14"	12"
32 1/8 to 50"	22"	20"
50 1/8 to 70"	32"	30"
70 1/8 to 80"	42"	40"
80 1/8 to 87"	52"	50"
87 1/8 to 99"	62"	60"
99 1/8 to 122"	74"	72"
122 1/8 to 134"	98"	96"

Warranty

Type of Warranty

Limited Lifetime

What is Covered

These aluminum horizontal blind products are warranted against original defects in materials or workmanship for as long as the original purchaser owns the product provided that:

- (1) the product was properly installed in a residential dwelling;
- (2) the product was made or assembled exclusively from Springs Window Fashions' materials and components;
- (3) Springs Window Fashions recommendations were followed with regard to limitations and specifications.

Who is Covered

This warranty extends only to you as the original purchaser of the above stated blinds.

Obligations to the consumer

The obligations of Springs Window Fashions are limited to the repair or replacement of parts or product found to be defective. Springs Window Fashions is not responsible for shipping costs or labor costs for measuring and taking the blind down or reinstalling the product.

If repairs are made under this warranty, the repairs will be made with like or similar parts.

What the Warranty Does Not Cover

This warranty does not cover conditions or damages caused by accidents, alterations, misuse, or failure to

follow instructions for measurement, installations, cleaning or maintenance. In addition, normal wear and tear are not covered by the warranty.

All materials can lose original intensity after long exposure to the sun. When left for extended periods in direct sunlight, plastics tend to yellow or crack. All cords will eventually wear out. Springs Window Fashions considers these things normal wear and tear and are not covered by this warranty.

THIS WARRANTY IS EXCLUSIVE AND IN LIEU OF ALL OTHER WRITTEN OR ORAL WARRANTIES OR OBLIGATIONS AND LIABILITIES.

No person is authorized to extend or alter this warranty.

SPRINGS WINDOW FASHIONS SHALL HAVE NO LIABILITY WHATSOEVER FOR INCIDENTAL OR CONSEQUENTIAL DAMAGES.

Some states do not allow the exclusion or limitation of incidental or consequential damages, so this limitation or exclusion may not apply to you.

SERVICE

To obtain warranty service contact:
 Customer Service Center
 Springs Window Fashions
 8467 Route 405 Hwy South
 P.O. Box 500
 Montgomery, PA 17752
[windowfashions@springswindowfashions.com](mailto>windowfashions@springswindowfashions.com)

Warranty claims must be accompanied by the original sales receipt as well as details regarding the nature of the problem, location of the blind, etc.



For additional Bali products, go to www.baliblinds.com

BALI® is a brand of
 SPRINGS WINDOW FASHIONS
 the Best Experience Company

